

698 MHz-960 MHz / 1710 MHz-2700 MHz, 1-3 dBi, IP67, 4G LTE Cellular portable rubber duck antenna, 90 Degrees RIGID SMA male connector



HG72703RDR90-SM

Features

- IP67 Weatherproof Rating for Rugged Environments
- Rubber Coated Brass Dipole
- 0 to 4 dBi Gain
- 90° SMA Right Angle Connector

Applications

- Infotainment Systems, Routers, WiFi Hotspots, HD Video Transmission, Gateways, Dash Cameras, Public Transportation
- Connected Cars or Self-Driving Cars, Fleet Management, Logistics
- 4G & 5G Networks
- 700, 850, 900, 1800, 1900, 2100, 2600 MHz Bands
- IoT, Cellular, Zigbee, Z-Wave, Bluetooth

Description

The HG72703RDR90-SM 4G Right Angle Rubber Duck Antenna from L-com is a high performance omnidirectional “rubber-duck” antenna. This rubber duck is designed for the 698 MHz to 2700 MHz bands and is available to ship same day. It features a RIGID 90° right angle SMA-Plug (male) connector. This right angle SMA allows the HG72703RDR90-SM to be mounted directly to terminals and other fixed radios. It is a coaxial sleeve design with an omni-directional pattern. The HG72703RDR90-SM is ideally suited for 4G, LTE, IoT, Zigbee, Zwave and Bluetooth bands.

The L-com high performance rubber-duck HG72703RDR90-SM is a rubber coated RIGID antenna providing broad coverage and 0-3 dBi gain. This SMA male rubber duck is suitable for commercial radios in public and private 4G and Cellular networks that are equipped with SMA female connectors. L-com’s HG72703RDR90-SM supports 700, 800, 850, 900, 1800, 2100, 2400, and 2600 MHz bands.

This 4G 698 MHz to 2700 MHz rubber duck antenna with a SMA male connector, as well as our wide selection of superior quality RF parts, ships same day. Contact our knowledgeable and friendly technical support and sales staff for your answers on antennas or other L-com products.

Configuration

Design	Portable
Band Type	Multi
Radiation Pattern	Omni Directional
Wavelength	1/4, 1/2
Polarization	Vertical
Connector Type	SMA Male

Electrical Specifications

Description	Minimum	Typical	Maximum	Units
Frequency Range	698		2.7	MHz
Input VSWR		2:1	2.5:1	
Impedance		50		Ohms
Gain		4		dBi
Gain	0			dBi
Input Power			2	Watts

Click the following link (or enter part number in “SEARCH” on website) to obtain additional part information including price, inventory and certifications:
[698 MHz-960 MHz / 1710 MHz-2700 MHz, 1-3 dBi, IP67, 4G LTE Cellular portable rubber duck antenna, 90 Degrees RIGID SMA male connector](#)

698 MHz-960 MHz / 1710 MHz-2700 MHz, 1-3 dBi, IP67, 4G LTE Cellular portable rubber duck antenna, 90 Degrees RIGID SMA male connector



HG72703RDR90-SM

Specifications by Band

Description	Band 1	Band 2	Band 3	Band 4	Band 5	Units
Range	698-960	1,710-2,170	2,500-2,700			MHz
Gain	0	4	2			dBi
VSWR Max	3:1	2.5:1	2.5:1			

Mechanical Specifications

Radome Material	ABS
Width	0.65 in [16.51 mm]
Height	2.25 in [57.15 mm]

Environmental Specifications

Temperature

Operating Range	-20 to +65 deg C
Storage Range	-20 to +65 deg C

Compliance Certifications (see [product page](#) for current document)

Plotted and Other Data

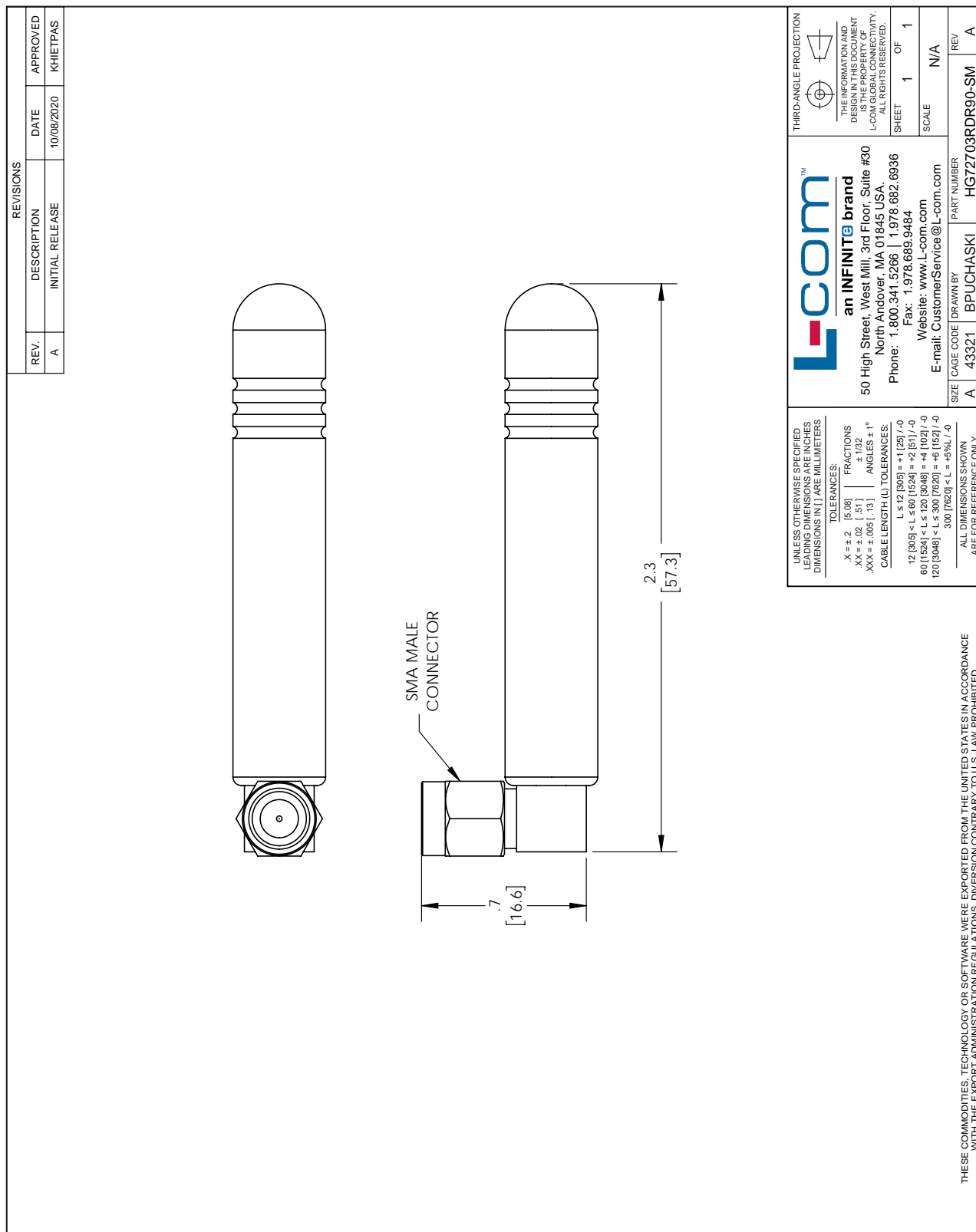
Notes:

698 MHz-960 MHz / 1710 MHz-2700 MHz, 1-3 dBi, IP67, 4G LTE Cellular portable rubber duck antenna, 90 Degrees RIGID SMA male connector from L-com has same day shipment for domestic and International orders. Our portfolio includes coaxial cable assemblies, connectors, adapters and custom products as well as lightning and surge protectors, NEMA rated enclosures, and an RF product line which includes antennas, amplifiers, passive, and active components.

The information contained within this document is accurate to the best of our knowledge and representative of the part described herein. It may be necessary to make modifications to the part and/or the documentation of the part in order to impliment improvements. L-com reserves the right to make such changes as required. Unless otherwise stated, all specifications are nominal. L-com does not make any representation or warranty regarding the suitability of the part described herein for any particular purpose, and L-com does not assume liability arising out of the use of any part or document.

698 MHz-960 MHz / 1710 MHz-2700 MHz, 1-3 dBi, IP67, 4G LTE Cellular portable rubber duck antenna, 90 Degrees RIGID SMA male connector

L-com CAD Drawing



T-Rev.D