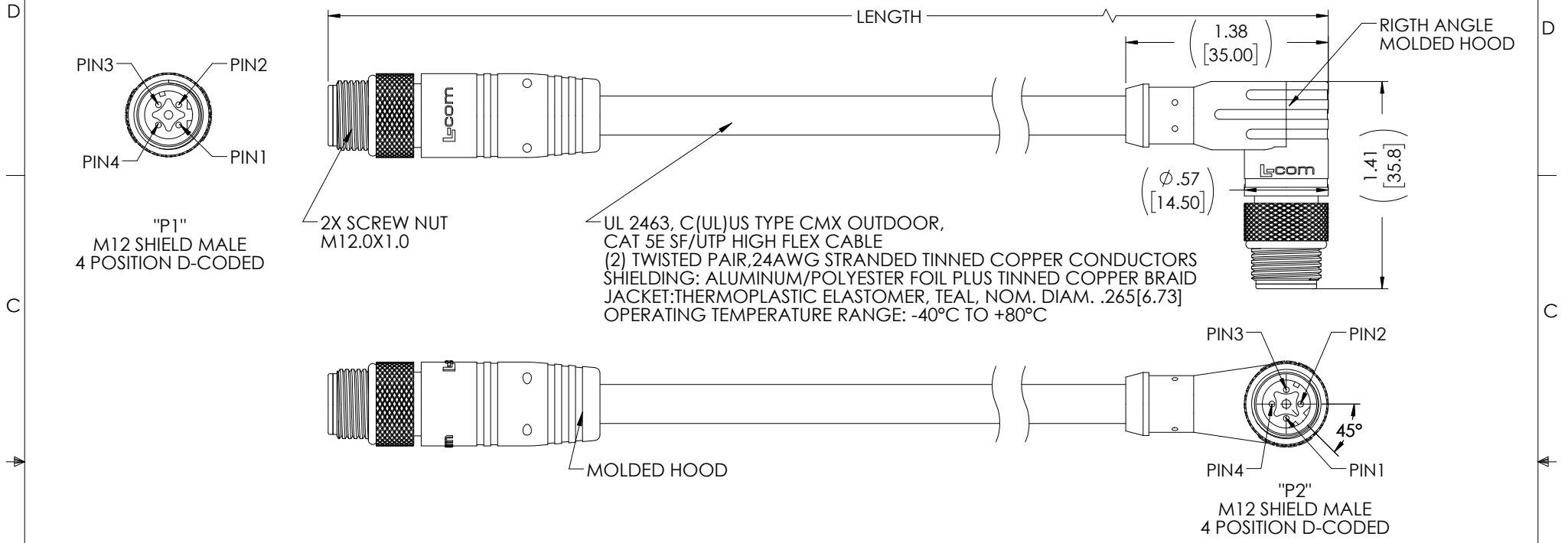
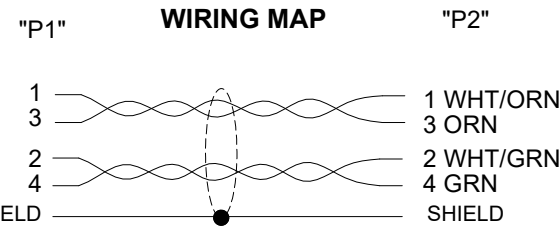


THE INFORMATION CONTAINED IN THIS DRAWING IS THE SOLE PROPERTY OF L-COM, INC. ANY REPRODUCTION IN PART OR WHOLE WITHOUT THE WRITTEN PERMISSION OF L-COM, INC. IS PROHIBITED.

REVISIONS			
REV	DESCRIPTION	DATE	APPROVED
A	CN INITIAL RELEASE	04/28/18	D.CUI



UL 2463, C(UL)US TYPE CMX OUTDOOR, CAT 5E SF/UTP HIGH FLEX CABLE
 (2) TWISTED PAIR, 24AWG STRANDED TINNED COPPER CONDUCTORS
 SHIELDING: ALUMINUM/POLYESTER FOIL PLUS TINNED COPPER BRAID
 JACKET: THERMOPLASTIC ELASTOMER, TEAL, NOM. DIAM. .265 [6.73]
 OPERATING TEMPERATURE RANGE: -40°C TO +80°C



PART NUMBER	LENGTH	
	FEET	METERS
TRG507-T4T-05M	1.64	0.5
TRG507-T4T-1M	3.28	1.0
TRG507-T4T-2M	6.56	2.0
TRG507-T4T-3M	9.84	3.0
TRG507-T4T-5M	16.40	5.0
TRG507-T4T-10M	32.80	10.0
TRG507-T4T-15M	49.20	15.0

NOTES
MATERIAL:
 MOLDED HOOD: THERMOPLASTIC POLYURETHANE, BLACK
 INSULATOR: NYLON, BLACK
 SHELL/SCREW NUT: BRASS, NICKEL PLATED
 CONTACTS: PHOSPHOR BRONZE, 15µ" MIN. GOLD PLATED
ELECTRICAL:
 NOMINAL VOLTAGE RATING: 250 VAC/VDC
 MAX CURRENT: 4A

APPLICATION:
 INGRESS PROTECTION RATING IS IP67 (MATED).
ENVIRONMENTAL:
 CABLE JACKET RESISTANCE: OIL, SUNLIGHT, AND WELD SPLATTER RESISTANT
MISCELLANEOUS
 CABLE ASSEMBLIES TO BE TESTED FOR CONTINUITY
 CABLE ASSEMBLY SHALL BE INDIVIDUALLY PACKAGED IN ACCORDANCE WITH L-COM SPECIFICATION PS-0031.
REGULATORY COMPLIANCE:
 CE2011/65/EU (RoHS DIRECTIVE)

UNLESS OTHERWISE SPECIFIED, DIMENSIONS ARE IN INCHES [mm] OVERALL CABLE LENGTH TOLERANCE: ≤12 [305] = +1 [25] / -0 >12 [305] ≤60 [1524] = +2 [51] / -0 >60 [1524] ≤120 [3048] = +4 [102] / -0 >120 [3048] ≤300 [7620] = +6 [152] / -0 >300 [7620] = +5% / -0% ALL OTHER DIMENSIONAL TOLERANCES: .X = ±.2 [5.08] .XX = ±.02 [51] .XXX = ±.005 [1.27]	APPROVALS DRAWN BY D.CUI CHECKED BY S.PAN APPROVED BY D.GUITADAURO	DATE 12/26/17 12/26/17 12/26/17	L-com Global Connectivity 50 HIGH STREET NORTH ANDOVER, MA 01845	
	CONFIGURATION DETAILS OF UNDIMENSIONED FEATURES MAY VARY		CATEGORY TELECOM/MODULAR	
	COLOR VARIATIONS MAY OCCUR		PRODUCT DESCRIPTION C5E M12D RAM/M TPE 24 TEL	
	PROJECTION 	REF	SIZE A	FSCM NO. 43321

SCALE: NONE | CAD FILE: TRG507-T4T.SLDDRW | SHEET 1 OF 1