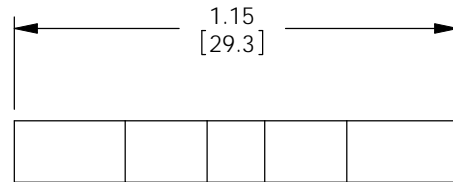
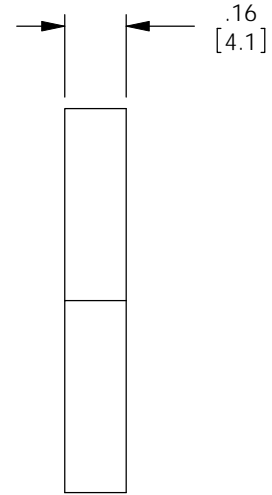
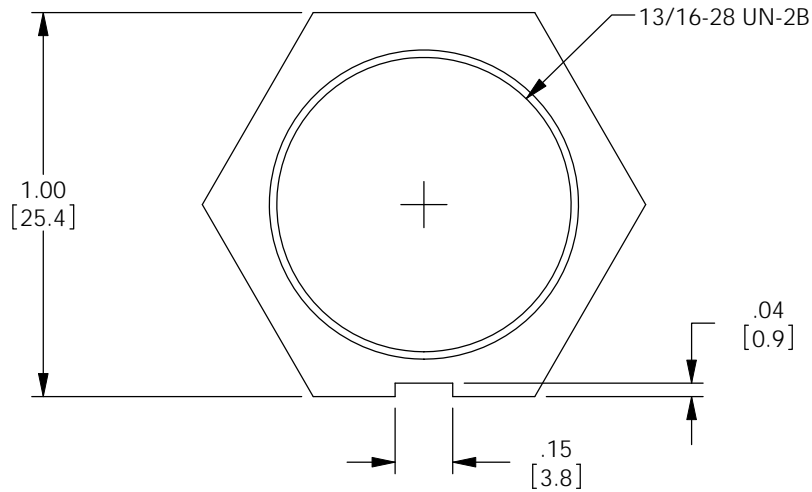


THE INFORMATION CONTAINED IN THIS DRAWING IS THE SOLE PROPERTY OF L-COM, INC. ANY REPRODUCTION IN PART OR WHOLE WITHOUT THE WRITTEN PERMISSION OF L-COM, INC. IS PROHIBITED.

REVISIONS			
REV	DESCRIPTION	DATE	APPROVED
A	INITIAL RELEASE	5/13/09	D.GRIFFIN
B	ECN 4303: REVISED PACKAGING NOTE FOR PS-0031	10/6/09	D.FRISIELLO



NOTES:

MATERIAL: NYLON, BLACK

PACKAGING: QTY 10 PER POLY BAG IN ACCORDANCE WITH L-COM SPECIFICATION PS-0031.

ALL DIMENSIONS ARE FOR REFERENCE ONLY.

UNLESS OTHERWISE SPECIFIED, DIMENSIONS ARE IN INCHES [mm] DIMENSIONAL TOLERANCES: .X = ±.1 .XX = ±.01 .XXX = ±.005 ANGULAR TOLERANCES: ALL = ± 1° PROJECTION	APPROVALS	DATE	45 BEECHWOOD DRIVE NORTH ANDOVER, MA 01845
	DRAWN BY D.FRISIELLO	5/12/09	
	CHECKED BY M.MARTINEZ	5/12/09	CATEGORY
	APPROVED BY S.SMITH	5/12/09	USB
CONFIGURATION DETAILS OF UNDIMENSIONED FEATURES MAY VARY	PRODUCT DESCRIPTION		
COLOR VARIATIONS MAY OCCUR	NUT, WATERPROOF		
SIZE A	FSCM NO. 43321	DWG. NO. WPNUT-13_16-28	REV. B
SCALE: NONE	CAD FILE: WPNUT-13_16-28.SLDDRW	SHEET 1 OF 1	