

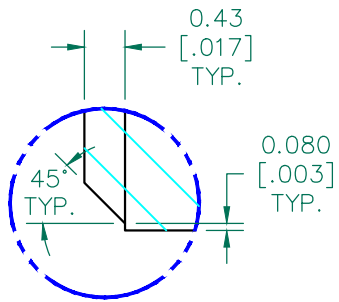
R 0.36
[.014]
2 PLACES

R 2.50
[.0985]
2 PLACES

NOTE 1

NOTE 1

DETAIL A

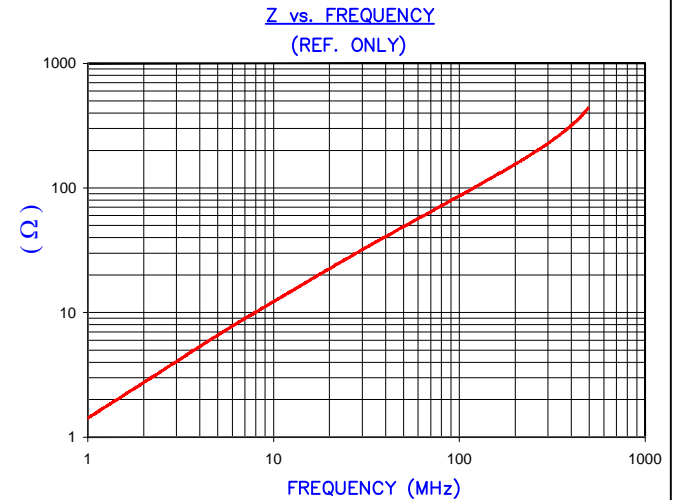


DETAIL A
SCALE 4:1

NOTES: UNLESS OTHERWISE SPECIFIED

1. D DIMENSION FROM EACH END OF THE PART TO 6.35 [.250] IS A TIGHTER TOLERANCE OF ± 0.20 [.008]. CENTER SECTION HAS STANDARD TOLERANCE OF ± 0.36 [.014].

IMPEDANCE (Z)			
Frequency	25 MHz	100 MHz	300 MHz
Nominal (REF)	27 Ω	84 Ω	200 Ω
Minimum	- Ω	67 Ω	- Ω



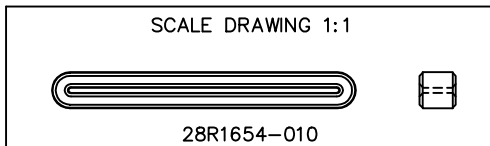
AGILENT E4991A Impedance/Material Analyzer
HP 16092A Test Fixture REF # 3020

**UNCONTROLLED
DOCUMENT**

FERRITE CORE DIMENSIONS (SPEC):mm[Inches]

A	42.00 [1.654]	+ 0.50 [.020]	- 0.30 [.012]
B	37.50 [1.476]	+ 0.50 [.020]	- 0.30 [.012]
C	5.00 [.197]	+ 0.20 [.008]	
D	5.00 [.197]	+ 0.36 [.014]	
E	0.70 [.028]	+ 0.20 [.008]	

WEIGHT/1000 4.21 kgs [9.28 Lbs]



DIMENSIONS ARE IN mm[INCHES].				This print is the property of Laird Tech. and is loaned in confidence subject to return upon request and with the understanding that no copies shall be made without the written consent of Laird Tech. All rights to design or invention are reserved.		Laird	
J	ADD NOTES 1	03/18/14	Jcai	PROJECT/PART NUMBER:	REV J	PART TYPE: FERRITE RIBBON CORE	DRAWN BY: JBE
H	CHANGE TOLERANCES	11/26/09	Jcai	28R1654-010			
G	UPDATE MIN Z SPECS & COMPANY LOGO	07/27/07	TMB	DATE: 03/18/14	SCALE: 2 : 1	MATERIAL:	
F	UPDATE MIN Z SPEC @100Mhz ADD REF #	02/10/04	JRK	CAD # 28R1654-010-J	TOOL # R1654	Ferrite	
REV	DESCRIPTION	DATE	INT				