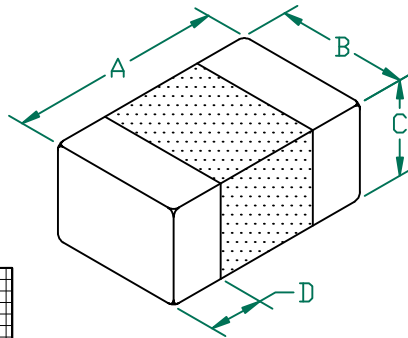


LF0805A252R-10

UNCONTROLLED DOCUMENT

PHYSICAL DIMENSIONS:

A	2.00 [.079]	+ 0.20 [.008]
B	1.25 [.049]	+ 0.20 [.008]
C	1.25 [.049]	+ 0.20 [.008]
D	0.51 [.020]	+ 0.25 [.010]

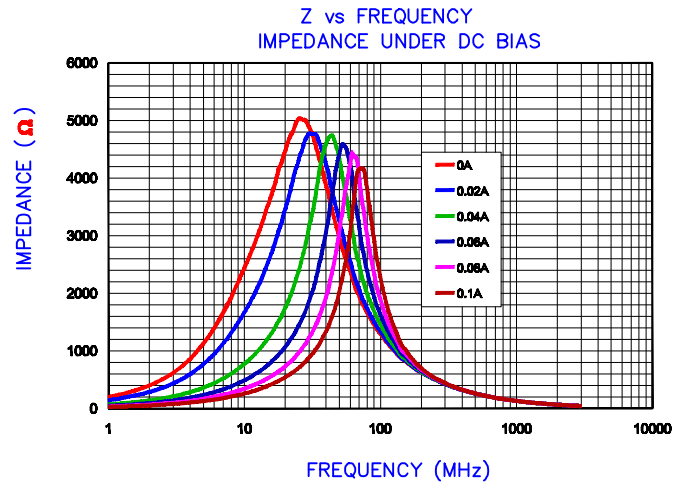


ELECTRICAL CHARACTERISTICS:

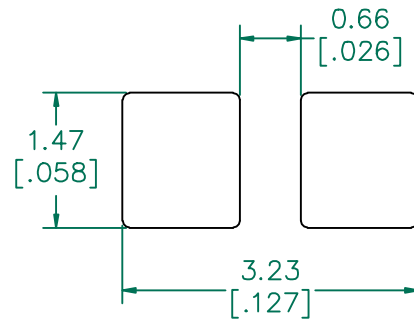
	Z @ 10MHz (Ω)	DCR (Ω)	Rated Current
Nominal	2500		
Minimum	1875		
Maximum	3125	1.25	100 mA

NOTES: UNLESS OTHERWISE SPECIFIED

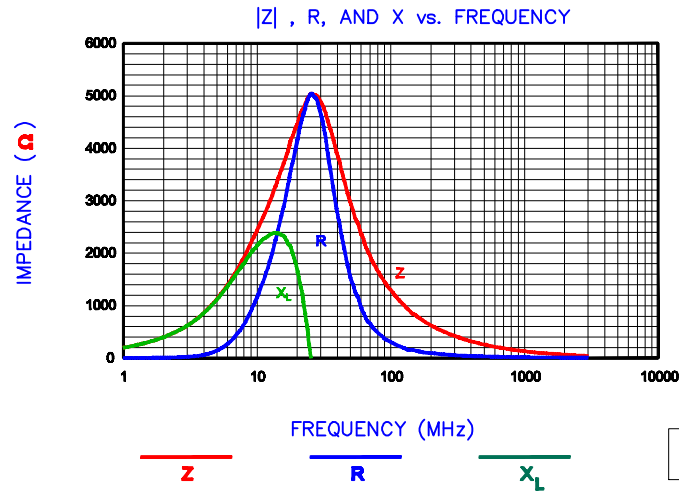
1. TAPED AND REELED per CURRENT EIA SPECIFICATIONS 7" REELS, EMBOSSED PLASTIC TAPE 2,000 PCS/REEL.
2. TERMINATION FINISH 100% MATTE TIN.
3. COMPONENTS SHOULD BE ADEQUATELY PREHEATED BEFORE SOLDERING.



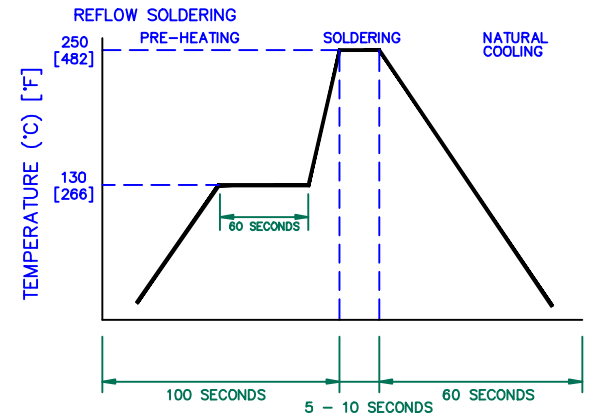
LAND PATTERNS FOR REFLOW SOLDERING



(For wave soldering, add 0.763 [.030] to this dimension.)



RECOMMENDED SOLDERING CONDITIONS



AGILENT E4991A RF Impedance/Material Analyzer
HP 16194A Test Fixture. TEST REF: 5806



DIMENSIONS ARE IN mm [INCHES].		This print is the property of Laird Tech. and is loaned in confidence subject to return upon request and with the understanding that no copies shall be made without the written consent of Laird Tech. All rights to design or invention are reserved.	
PROJECT/PART NUMBER: LF0805A252R-10		REV: B	PART TYPE: CO-FIRE
DATE: 06/15/06		SCALE: NTS	SHEET: 2 of 2
B	UPDATE COMPANY LOGO	07/03/08	JRK
A	ORIGINAL DRAFT	09/13/06	JRK
REV	DESCRIPTION	DATE	INT
CAD # LF0805A252R-10-B		TOOL # -	