

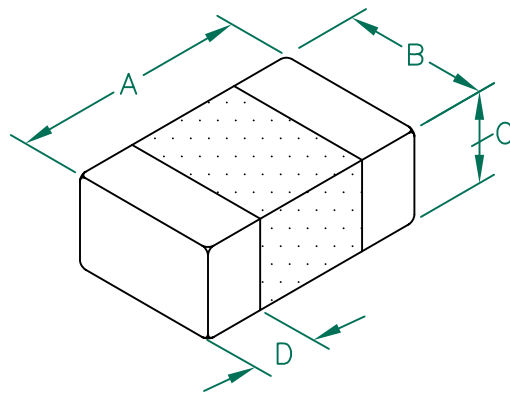


# LI0805H151R-10

**UNCONTROLLED DOCUMENT**

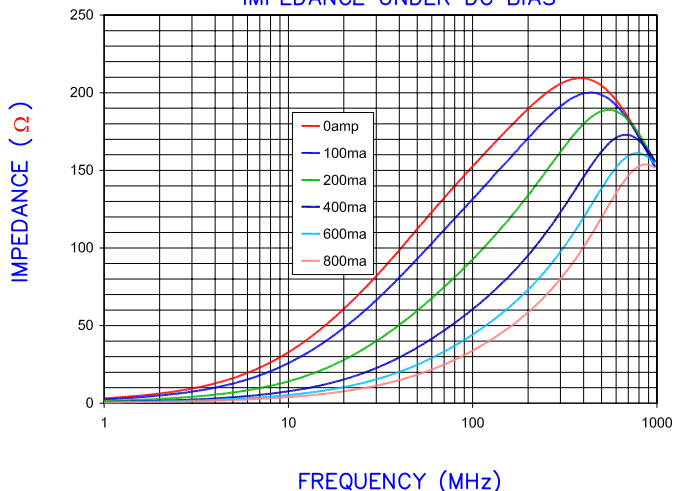
PHYSICAL DIMENSIONS:

A	2.00 [.079]	+ 0.20 [.008]
B	1.25 [.049]	+ 0.20 [.008]
C	0.90 [.035]	+ 0.20 [.008]
D	0.51 [.020]	+ 0.25 [.010]

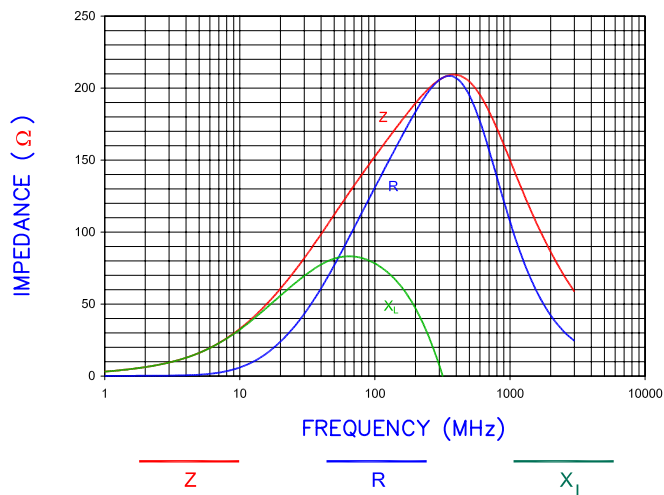


ELECTRICAL CHARACTERISTICS:		
Z @ 100MHz ( $\Omega$ )	DCR ( $\Omega$ )	Rated Current
Nominal	150	
Minimum	113	
Maximum	188	800 mA

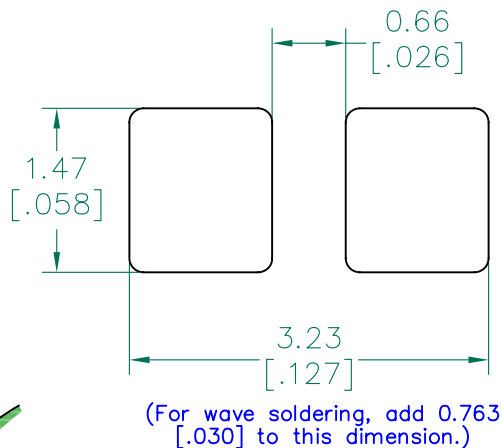
Z vs FREQUENCY  
IMPEDANCE UNDER DC BIAS



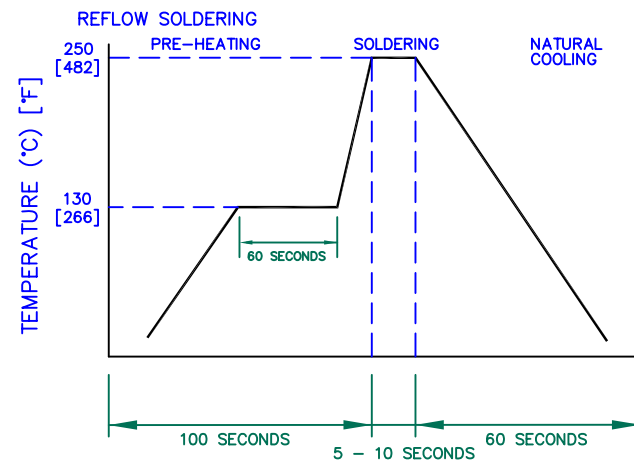
|Z|, R, AND X vs. FREQUENCY



LAND PATTERNS FOR REFLOW SOLDERING



RECOMMENDED SOLDERING CONDITIONS



DIMENSIONS ARE IN mm [INCHES].				This print is the property of Laird Tech. and is loaned in confidence subject to return upon request and with the understanding that no copies shall be made without the written consent of Laird Tech. All rights to design or invention are reserved.		<b>Laird TECHNOLOGIES*</b>					
C	CHANGE TO PAPER TAPE	03/04/10	JUN	PROJECT/PART NUMBER:	LI0805H151R-10	REV	C	PART TYPE:	CO-FIRE	DRAWN BY:	JRK
B	UPDATE COMPANY LOGO ADD ROHS SYM	07/21/08	JRK	DATE:	04/19/04	SCALE:	NTS	SHEET:	2 of 2		
A	ORIGINAL DRAFT	04/19/04	JRK	CAD #	LI0805H151R-10-C	TOOL #	-				
REV	DESCRIPTION	DATE	INT								