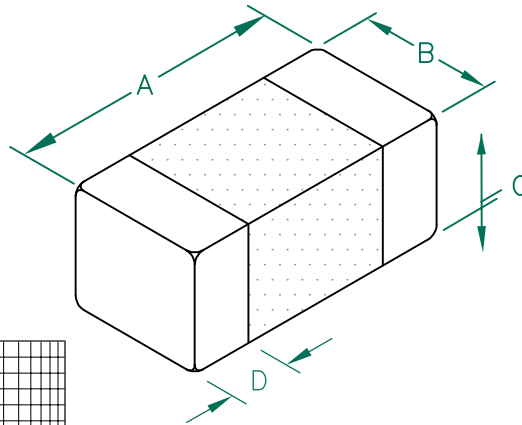


# LI0603E470R-10

**UNCONTROLLED DOCUMENT**

**PHYSICAL DIMENSIONS:**

A	1.60 [.063]	+ 0.15	[.006]
B	0.80 [.031]	+ 0.15	[.006]
C	0.80 [.031]	+ 0.15	[.006]
D	0.36 [.014]	+ 0.15	[.006]

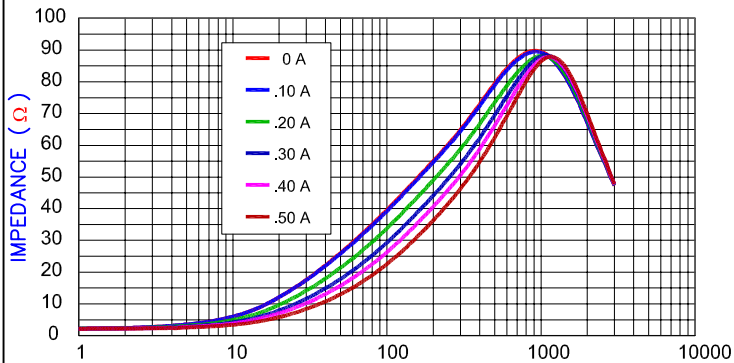


**ELECTRICAL CHARACTERISTICS:**

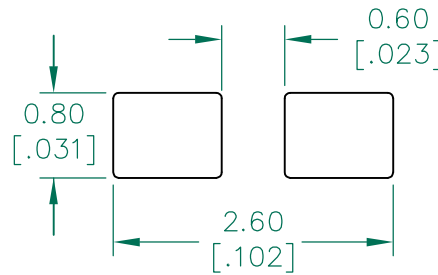
Z @ 100MHz ( $\Omega$ )	DCR ( $\Omega$ )	Rated Current
Nominal	47	
Minimum	35	
Maximum	59	500 mA

- NOTES: UNLESS OTHERWISE SPECIFIED
1. TAPED AND REELED per CURRENT EIA SPECIFICATIONS 7" REELS, 4000 PCS/REEL, PAPER CARRIER TAPE.
  2. TERMINATION FINISH IS 100% TIN.
  3. COMPONENTS SHOULD BE ADEQUATELY PREHEATED BEFORE SOLDERING.
  4. OPERATING TEMP. RANGE: -40°C~+125°C. (INCLUDING SELF-HEATING)

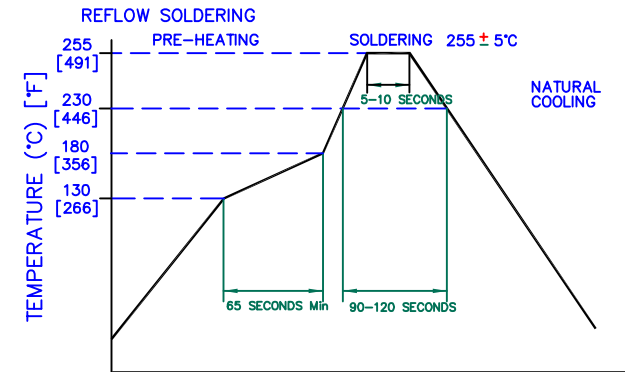
Z vs FREQUENCY  
IMPEDANCE UNDER DC BIAS



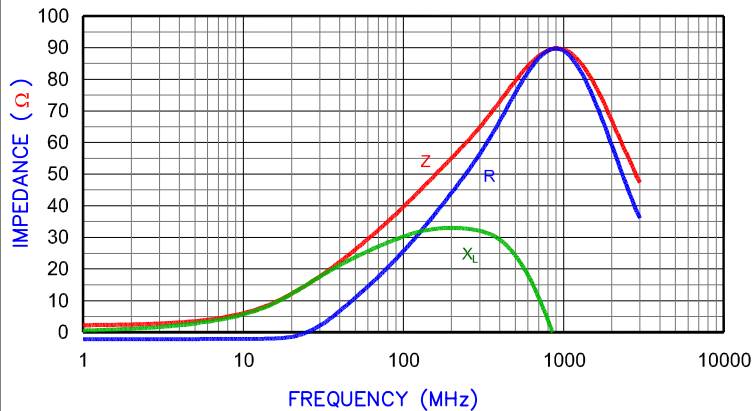
**LAND PATTERNS FOR REFLOW SOLDERING**



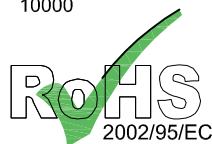
**RECOMMENDED SOLDERING CONDITIONS**



FREQUENCY (MHz)  
|Z|, R, AND X vs. FREQUENCY



(For wave soldering, add 0.762 [.030] to this dimension)



DIMENSIONS ARE IN mm [INCHES].				This print is the property of Laird Tech. and is loaned in confidence subject to return upon request and with the understanding that no copies shall be made without the written consent of Laird Tech. All rights to design or invention are reserved.		<b>Laird</b>	
C	ADD OPERATING TEMPERATURE UPDATE LAIRD LOGO AND REFLOW CURVE	08/05/13	QU	PROJECT/PART NUMBER: <b>LI0603E470R-10</b>	REV <b>C</b>	PART TYPE: <b>CO-FIRE</b>	DRAWN BY: <b>JRK</b>
B	UPDATE COMPANY LOGO	07/14/08	JRK	DATE: 03/29/06	SCALE: -	SHEET: 2 of 2	
A	ORIGINAL DRAFT	03/29/06	JRK	GAD #	TOOL #		
REV	DESCRIPTION	DATE	INT	LI0603E470R-10-C			