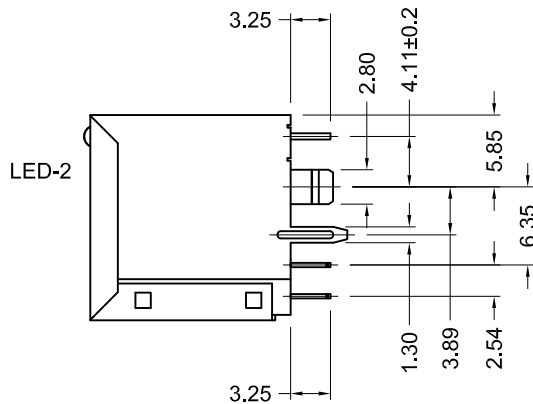
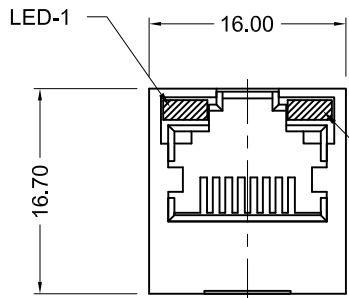
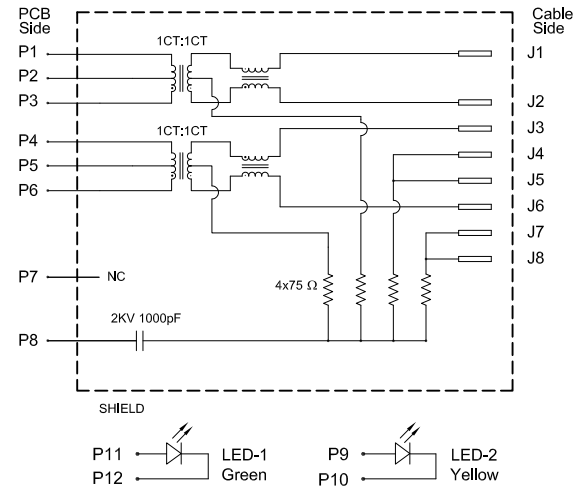


Recommended PCB Layout (Top View)



Magnetics Schematic



Materials and Finish

Housing: PBT Thermoplastic
 UL 94V-0 Rated
 Color: Black

Shield: Copper Alloy, Nickel Plated

Contact Material:
 Phosphor Bronze

Plating Options:

Standard: Nickel Underplating,
 Gold Flash Plating on Contact Area
 and Signal Pin Solder Tails,
 Tin Plated on LED Solder Tails

50 Option: Nickel Underplating,
 Contact Area Plated with 50u" Gold
 to Comply with ANSI/TIA-1096-A, Gold
 Flash Plating on Signal Pin Solder Tails,
 Tin Plated on LED Solder Tails

Electrical Characteristics

Insulation Resistance:
 500 Megohms Min.

Contact Resistance:
 20 milliohms Max.

Dielectric Withstanding Voltage:
 500V AC for 1 Minute

Mechanical Characteristics

Durability Rating:
 500 Mating Cycles Min.

Operating Temperature:
 0°C to +70°C

Electrical Properties:

Insertion Loss (dB Typ)	Return Loss at 100Ω (dB Min)		Cross Talk (dB Min)	CMR (dB Min)
1~100MHz	1~30MHz	60~80MHz	1~100MHz	30~100MHz
-1.1	-18	-12	-30	-35

Part Number	Contact Area Plating Finish
G3LX-188S1-FF-G/Y-1	Gold Flash (Standard)
G3LX-188S1-FF-G/Y-1-50	50u" Gold (50 Option)

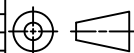
RoHS COMPLIANT
 EU Directive 2002/95/EC

Tolerances

X.X ± 0.35
 X.XX ± 0.25
 Unless Stated
 Otherwise

REV.	DATE	DESCRIPTION	REV. BY	CHK. BY	DRAWN BY	DATE
A0	07/28/14	New Drawing	W. Cook	P. DalCanto	W. Cook	05/13/14
A1	07/30/14	Release Drawing	C. Kelleher	N/A		

G3LX-188S1-FF-G/Y-1



UNITS
 mm

8P8C ModJack, Vertical, Shielded

w/LED, Magnetics, RoHS Compliant

