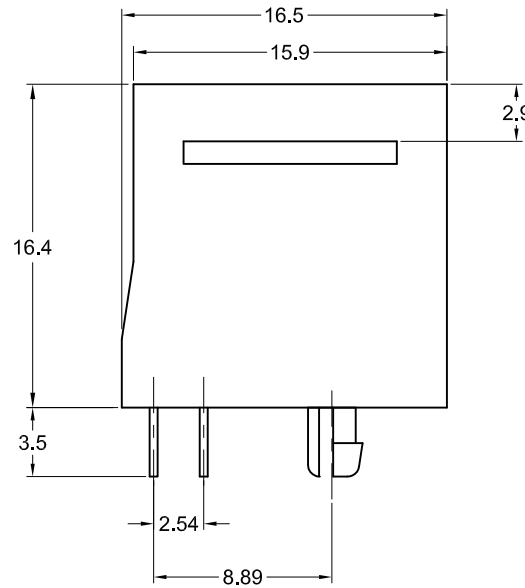
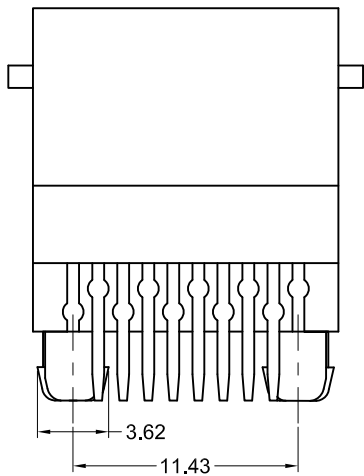


Recommended PCB Layout
(Top View)

(Pins 1, 10 not shown in this view)



Materials and Finish

Housing Material-
PBT
UL 94V-0 Rated
Color: Black

Contact Material-
Phosphor Bronze

Plating Options-
Standard: 0.0001" Nickel
Plating, Selective Plating
0.000015" Gold on Contact
Area, Tin on
Termination End

50: 0.0001" Nickel Plating,
Selective Plating 0.000050"
Gold on Contact Area to
Comply with FCC Requirements
Under No. 47 C.F.R. Part 68,
Subpart F, Tin on
Termination End

Electrical Characteristics

Current Rating-
1.5 Amps

Voltage Rating-
125V DC

Insulation Resistance-
500 Megohms Min.

Dielectric Withstanding Voltage-
1000V rms, 60Hz

Contact Resistance-
20 milliohms Max.

Operating Temperature-
-40°C to +85°C

Part Number	Contact Area Plating Finish
GDX-PA-1010	15u" Gold (standard)
GDX-PA-1010-50	50u" Gold (50 option)



Tolerances
X.X ± 0.25
X.XX ± 0.15
Unless Stated Otherwise

REV.	DATE	DESCRIPTION	REV. BY	CHK. BY	DRAWN BY	DATE
A0	9/15/05	New Drawing	R. Aguirre	N.Chang	R. Aguirre	9/15/05
A1	05/14/10	ECO #10-025	S. Vien	H. MA		
A2	04/26/11	Correct Dim	S. Vien	H. MA		
A3	12/12/13	ECO #13-091	D. Gih	H. MA		

GDX-PA-1010

Perpendicular, PCB Mount, Mod. Jack, RoHS Compliant

10 Position, 10 Contacts, Panel Stops

