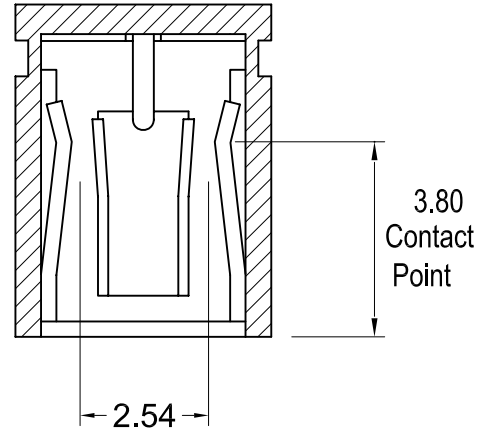
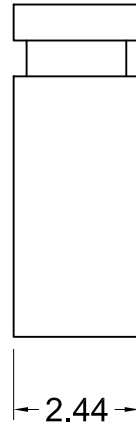


A Type



Materials and Finish

Body: PBT Thermoplastic,
30% glass filled,
UL94V-0 rated,
black color

Contact Material: Brass,
3 to 6 u" Gold Plated

Electrical Specifications

Contact Current Rating:
3 Amp max.

Contact Resistance:
20 milliohms max.

Dielectric Withstanding Voltage:
AC 650 Volts RMS

Insulation Resistance:
1000 Megohms min.

Temperature Rating:
-55°C to +125°C

Tolerances

X.X ± 0.25
X.XX ± 0.15
Unless Stated
Otherwise

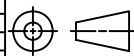
RoHS COMPLIANT
EU Directive 2002/95/EC

REV.	DATE	DESCRIPTION	REV. BY	CHK. BY	DRAWN BY	DATE
A1	6/30/05	New Drawing	H. MA	C. Furumasu	H. MA	6/30/05
A2	01/15/07	ECO #06-066	R. Aguirre	H. MA		
A3	09/23/10	ECO #10-065	S. Vien	H. MA		

SX1100-A

Mini Shunt, 2.54 mm Pitch

RoHS Compliant



UNITS
mm