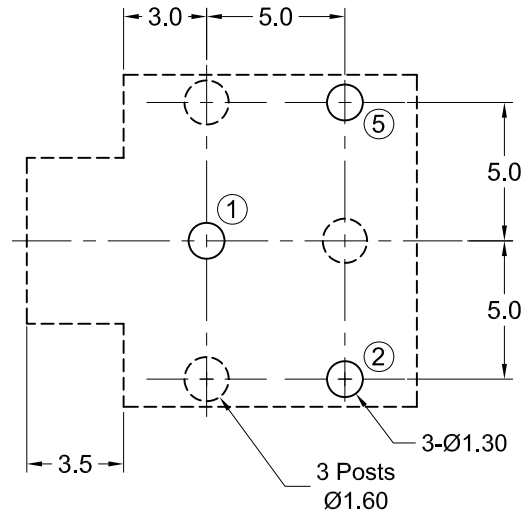
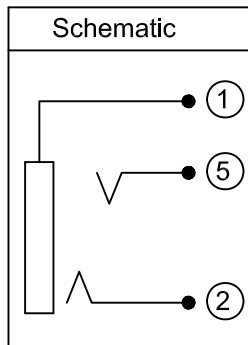


Pantone 577C (green)
Colored Barrel Cover
(See PC99 Spec.
for Color Details)



Recommended PCB Layout
(Bottom View)

Materials and Finish

Housing & Barrel Cover:
PBT Thermoplastic, 30% Glass Filled,
UL 94V-0 Rated, Black Housing,
Pantone 577C Color Barrel Cover,
(See PC99 Spec. for Details)

Terminals:

- Pin #1 : Brass, Nickel Plated
- Pin #5 & Pin #2:
Phosphor Bronze, Matte Tin Plated
- Bushing: Brass, Nickel plated

Electrical Characteristics

Contact Resistance:
Before Test:
30 milliohm max.
After Durability Test:
60 milliohm max.

Insulation Resistance:
more than 100 Megohm
at 250V DC

Dielectric Strength:
250V AC (rms) for 1 minute

Operating Temperature:
-25°C to +80°C

Mechanical Characteristics

Insertion Force:
0.4kg - 2.0kg

Extraction Force:
0.3kg - 2.0kg

Durability: 5000 mating cycles min.



Tolerances	
X.X	± 0.3
X.XX	± 0.15
Unless Stated Otherwise	

REV.	DATE	DESCRIPTION	REV. BY	CHK. BY	DRAWN BY	DATE
A1	9/6/05	New Drawing	R. Aguirre	H. MA	R. Aguirre	07/11/05
A2	11/30/06	ECO 06-046	R. Aguirre	H. MA		
A3	07/14/11	ECO #11-033	S. Vien	P. DalCanto		
					UNITS	
					mm	

STX-3100-3N-577C

Ø3.5mm Stereo Jack, Right Angle, Thru-Hole, RoHS Compliant

3 Position, w/ PC99 Color (Green) Barrel Cover

