

## KLP42X Series Stacked RCA Phono Jack PCB Mount

### Features

- Audio Applications for Computers and Multimedia
- Gold Plating Available Upon Request
- Various Color and Stacking Options Available



### Performance Specifications

#### Materials and Finish

**Housing:** PBT Thermoplastic, UL 94V-0 Rated

**Terminals:** Brass, Tin Plated

#### Electrical Characteristics

**Rated Current:** 0.3A

**Rated Voltage:** 16V DC

**Contact Resistance:** 50 milliohms Max.

**Insulation Resistance:** 100 Megohms Min. at 500V DC

**Dielectric Strength:** 500V AC RMS for 1 minute

#### Mechanical Characteristics

**Insertion Force:** 0.3kg - 5.0kg

**Extraction Force:** 0.3kg - 5.0kg

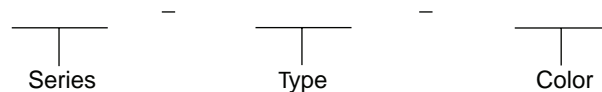
**Durability:** 1000 Mating Cycles Min.

**Operating Temperature:** -20°C to +60°C

## RCA PHONO JACKS

### KLP42X Series

#### Ordering Information



#### Series

KLP42X - Stacked RCA Phono Jack

#### Type

60 - Single Column, Double Row  
61 - Double Column, Double Row  
62 - Triple Column, Double Row

#### Color Layout

60 - X / Z  
61 - X, X1 / Z, Z1  
62 - X, Z / X1, Z1 / X2, Z2

#### Color Option

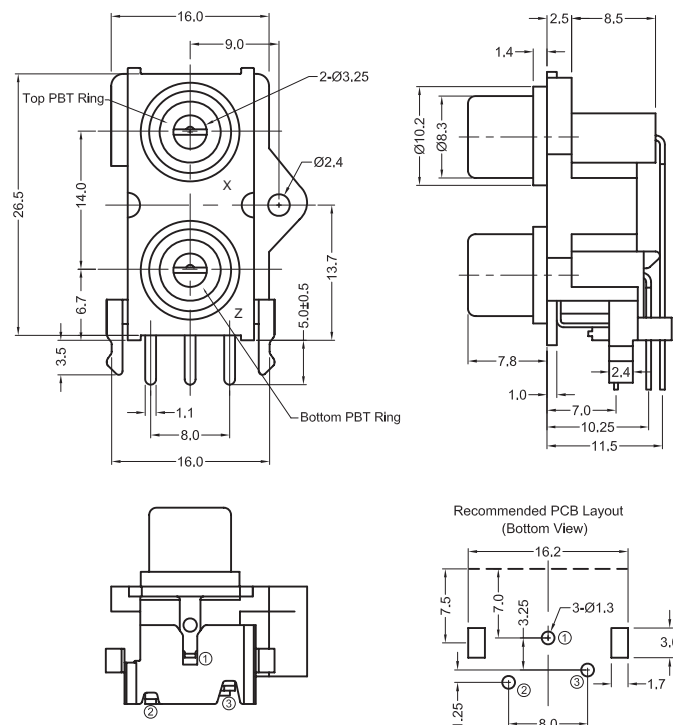
60 - B/B ,R/R ,R/W ,W/R ,W/W ,Y/Y  
61 - BB/BB ,RR/WW ,WB/RW ,WR/BB ,WR/WR ,  
WW/RR ,YW/YW ,YY/WW ,YY/YY ,RW/RW  
62 - BY/RW ,RY/RY ,RR/WW/YY ,RW/RW/RW ,RW/RW/YY ,  
WR/WR/WR ,WW/RR/YY ,YY/YY/YY

B - Black R - Red W - White Y - Yellow

Contact Kycon for other options

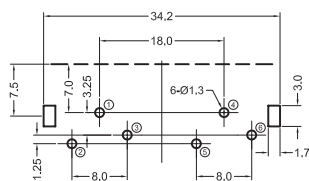
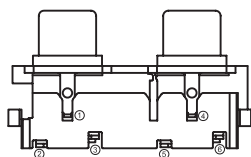
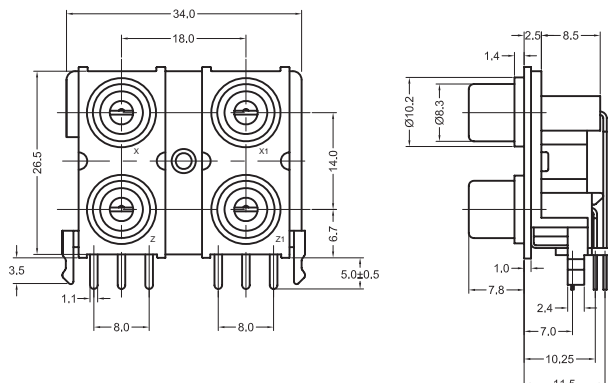
#### KLP42X-60

Dimensions in mm

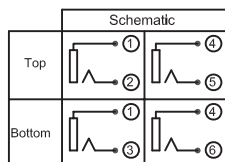


\*See next page for more dimensions

KLP42X-61-xx/xx  
Dimensions in mm



Recommended PCB Layout  
(Bottom View)



KLP42X-62-xx/xx/xx  
Dimensions in mm

