

KUSBEX-SMT Series
Surface Mount Right Angle Universal Serial Bus

Features



- Surface Mount Contacts Available with Through Hole or Surface Mount Shield Tabs
- Meets USB 2.0 Specification
- A and B Types Available
- Supports Hot Plugging
- Contact Area with Gold Plating
- CSA/NRTL Certified File No. LR78160

Performance Specifications

Materials and Finish

Insulator: High Temperature Thermoplastic, UL 94V-0 Rated, Black or White Color

Contacts: Phosphor Bronze

Contact Plating: Gold over Nickel on Contacts
Tin over Nickel on Termination End

Electrical Characteristics

Rated Voltage: 30V AC

Rated Current: 1A

Contact Resistance: 20 milliohms Max.

Insulation Resistance: 1000 Megohms Min.

Dielectric Withstanding Voltage: 750V AC for 1 Minute

Operating Temperature: See Drawing

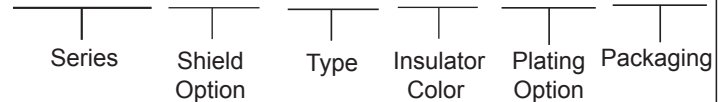
UNIVERSAL SERIAL BUS

KUSBEX-SMT Series

Documentation & Ordering Information

Kycon Part #

Part Number Builder



Series

KUSBEX - Right Angle Universal Serial Bus

Shield Option

SMT - Surface Mount Contact, Through Hole Shield
SMT2 - Surface Mount Contact, Surface Mount Shield

Type

AS1N - A Type Receptacle
BS1N - B Type Receptacle
ASFS1N - A Type Fully Shielded Receptacle

Insulator Color Option

B - Black
W - White

Plating Option

Blank - Gold Flash
30 - 30µ" Gold

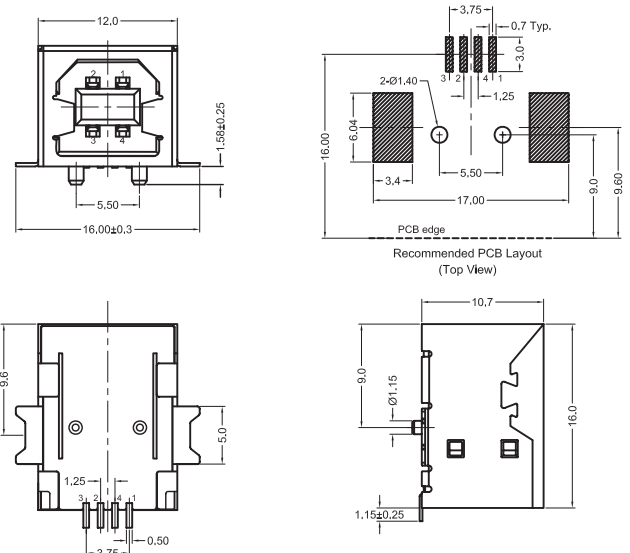
Packaging

TR - Tape and Reel

Contact Kycon for other options

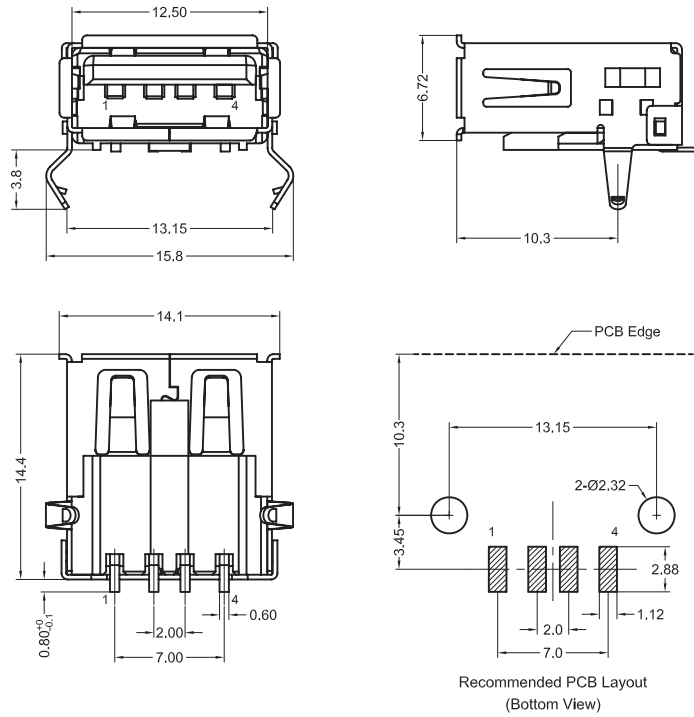
KUSBEX-SMT-BS1N

Dimension in mm

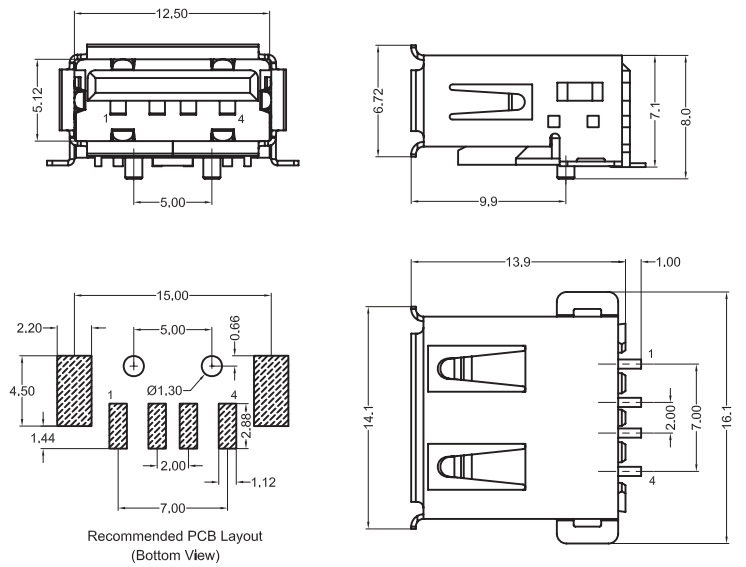


*See next page for more dimensions

KUSBEX-SMT-ASFS1N
Dimensions in mm



KUSBEX-SMT2-AS1N
Dimensions in mm



Recommended PCB Layout
(Bottom View)

Recommended PCB Layout
(Bottom View)