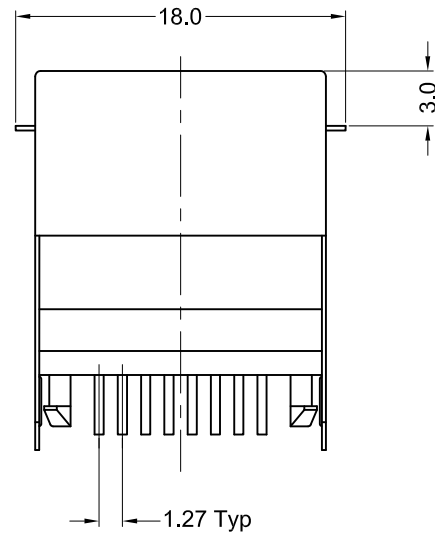
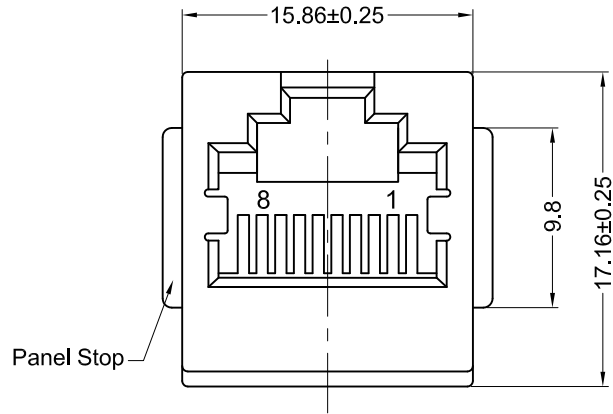
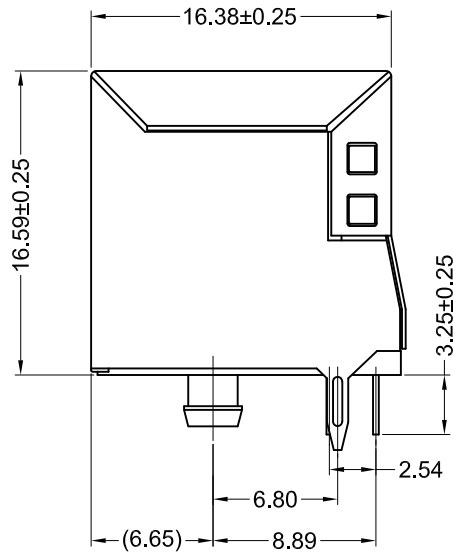
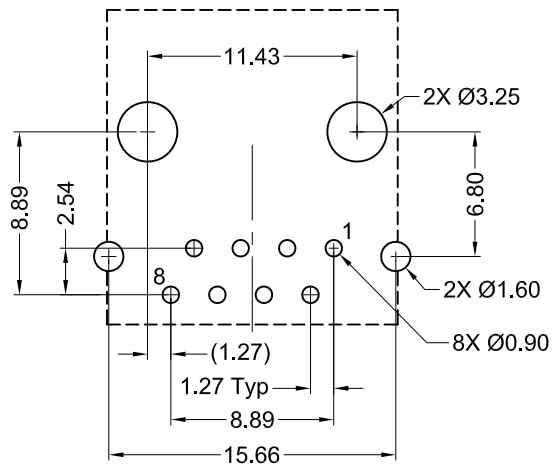


Recommended PCB Layout
(Top View)



Materials and Finish

Housing: PBT Thermoplastic
UL 94V-0 Rated
Color: Black

Shield: Brass, Nickel Plated

Contact Material:
Phosphor Bronze

Plating Options:

Standard: Nickel Underplating,
Gold Flash Plating on Contact Area,
Tin Plated on Solder Area

50 Option: Nickel Underplating,
Contact Area Plated with 50u" Gold
to Comply with ANSI/TIA-1096-A,
Tin Plated on Solder Area

Electrical Characteristics

Rated Current: 1.5A
Rated Voltage: 125V DC

Insulation Resistance:
500 Megohms Min.

Contact Resistance:
20 milliohms Max.

Dielectric Withstanding Voltage:
1000V AC for 1 Minute

Mechanical Characteristics

Durability Rating:
500 Mating Cycles Min.

Operating Temperature:
-40°C to +85°C

Part Number	Contact Area Plating Finish
GDCX-PAS-88	Gold flash (standard)
GDCX-PAS-88-50	50u" Gold (50 option)

Tolerances
X.X ± 0.35
X.XX ± 0.25
Unless Stated Otherwise



REV.	DATE	DESCRIPTION	REV. BY	CHK. BY	DRAWN BY	DATE
A1	05/18/05	New Drawing	R. Aguirre	H. MA	R. Aguirre	05/11/05
A2	05/12/10	ECO #10-025	S. Vien	H. MA		
A3	09/04/12	ECO #12-049	S. Vien	P. DalCanto		
A4	03/25/15	ECO #15-001	H. MA	C. Furumasu	UNITS	mm
A5	01/12/16	ECO #16-001	H. MA	W. Cook		
A6	06/28/19	ECO #19-054	H. MA	D. Shehan		

GDCX-PAS-88-xx

Vertical, Thru-Hole PCB Mount, RoHS Compliant

Shielded, 8P8C, Closed Body Type

