

Material and Finish

Housing: High Temp. thermoplastic, UL94V-0 Rated, color - Black

Contacts: Phosphor Bronze

Shield: Nickel plated

Plating Options:
Standard - 30u" Gold in front contacts and Gold Flash in Solder area

Electrical Characteristics

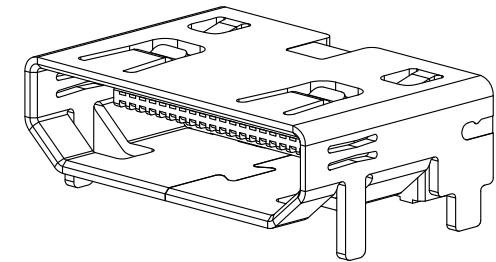
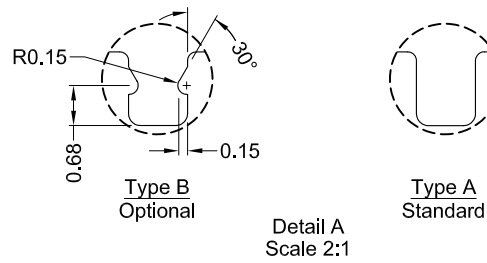
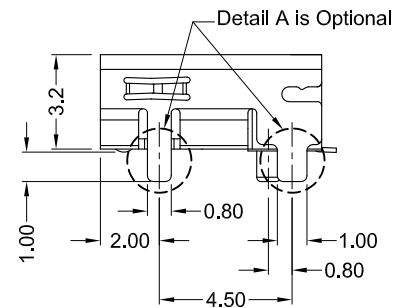
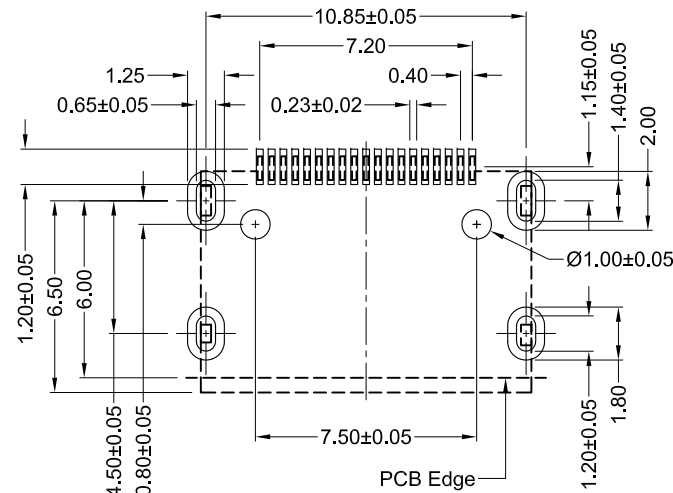
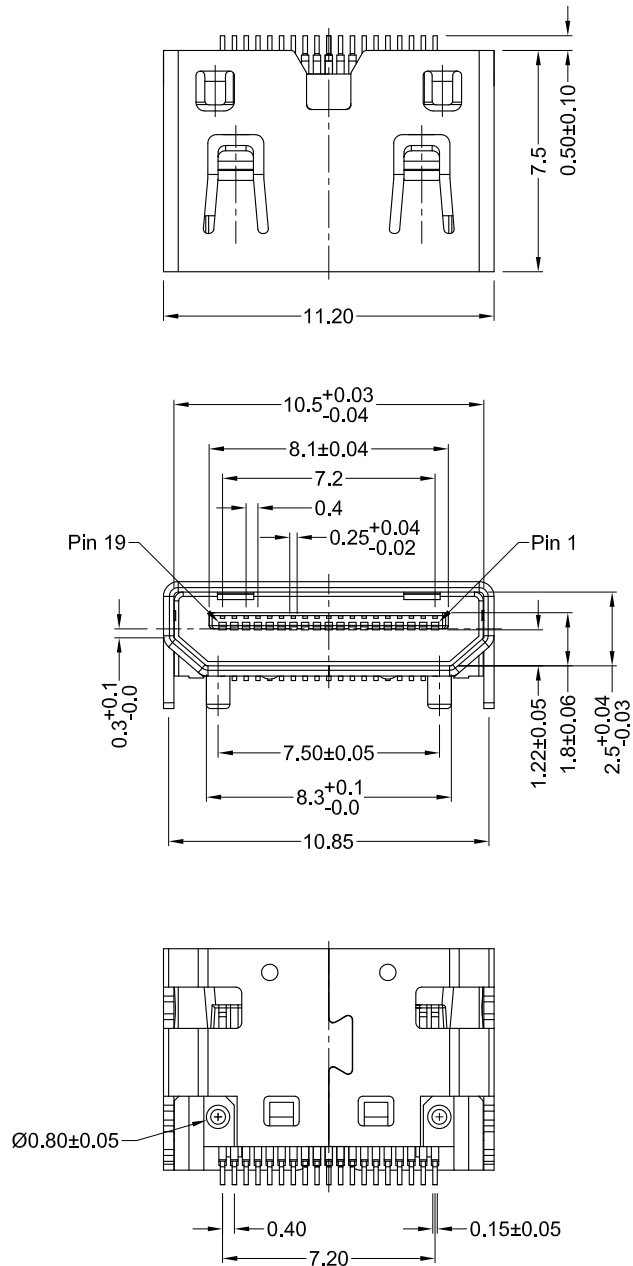
Insulation Resistance: 100 Mohm min.

Dielectric Withstanding Voltage: 500V AC RMS for 1 minute

Operating Rating: 0.5A Max.

Operating Temperature: -25°C to +85°C

Durability: 5000 Mating Cycles Min.



Ordering Information	
Part Number	Shell
KMDMIX-NS3A-WS-BTR	Type A
KMDMIX-NS3B-WS-BTR	Type B

Tolerances
X.X ± 0.25
X.XX ± 0.15
Unless Stated Otherwise



REV.	DATE	DESCRIPTION	REV. BY	CHK. BY	DRAWN BY	DATE
A0	08/29/07	New Drawing	A. Frederick	H. MA	A. Frederick	08/22/07
A1	10/18/07	Release Drawing	H. MA	N/A		
A2	04/26/13	ECO #13-018	W. Cook	P. DalCanto		
A3	08/03/18	Address Update	G. Serrato	D. Shehan		

KMDMIX-NS3x-WS-BTR

HDMI(TM) Mini Connector, Right Angle SMT,

No flange, top spring, T/H Shield, RoHS Compliant

