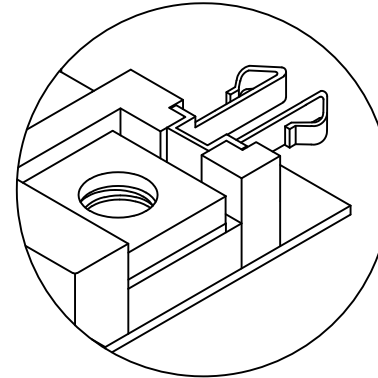
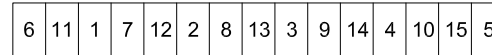


Pin Numbering



Fork Board Lock Type

Part Number	Contact Area Plating Finish
K202XHT-E15S-N	Gold Flash (standard)
K202XHT-E15S-N15	15u" Gold (15 option)
K202XHT-E15S-N30	30u" Gold (30 option)

Material and Finish

Shell: Steel, nickel plated

Insulator:  
high temp. thermoplastic,  
UL 94V-0 rated, black color,  
reflow process compatible

Contact Material:  
Socket-Phosphor Bronze

Contact Plating Options:  
30 Option: .000030" [0.00076mm] gold  
on mating end,  
tin on termination end,  
with entire contact nickel

15 Option: .000015" [0.00038mm] gold  
on mating end,  
tin on termination end,  
with entire contact nickel

Standard: Gold flash on mating end,  
tin on termination end, with nickel  
underplate on entire contact

Electrical Specifications

Rated Current: 2A

Rated Voltage: 30V RMS

Withstanding Voltage:  
500V (rms) AC for 1 min

Insulation Resistance:  
more than 1000 megohm  
at 500V DC

Contact Resistance:  
13 milliohm max.

Dielectric Strength:  
1000V for 1 minute

Operating Temperature:  
-55°C to +105°C



Tolerances
X.X ± 0.25
X.XX ± 0.15
Unless Stated
Otherwise

REV.	DATE	DESCRIPTION	REV. BY	CHK. BY	DRAWN BY	DATE
A1	10/28/05	New Drawing	R. Aguirre	H. MA	R. Aguirre	10/03/05
B1	11/29/07	ECO#07-044	WILL. H	H. MA		
B2	5/21/08	ECO# 08-042	S. Vien	H. MA		
B3	10/14/10	ECO #10-074	S. Vien	H. MA		
B4	08/10/18	Address Update	G. Serrato	D. Shehan		

K202XHT-E15S-N

D-Sub, Right Angle, SMT, RoHS Compliant

Low Profile, 15 Pin High Density Female

