

### Material and Finish

Housing: High Temperature Thermoplastic, UL 94V-0 Rated, Black Color

### Contact Materials:

- Contact #1: Brass, Gold Flash
- Contact #2: Phosphor Bronze, Gold Flash
- Contact #3: Brass, Gold Flash

### Electrical Characteristics

Rated Voltage: 24V DC

Rated Current: 5A

### Contact Resistance:

- Between Terminals: 30 milliohms Max.
- Plug to Contacts: 50 milliohms Max.

### Insulation Resistance:

100 Megohms Min. at 500V DC

### Dielectric Withstanding Voltage:

500V for 1 Minute

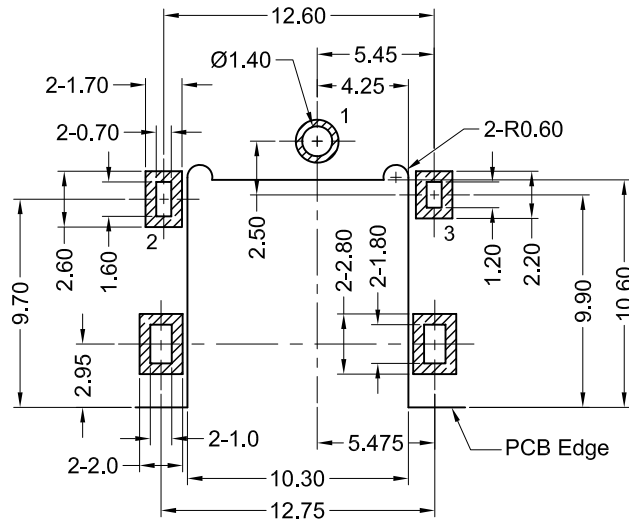
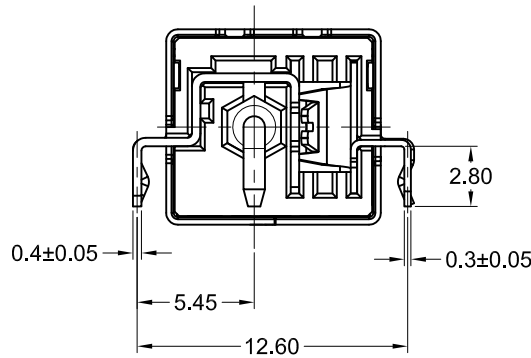
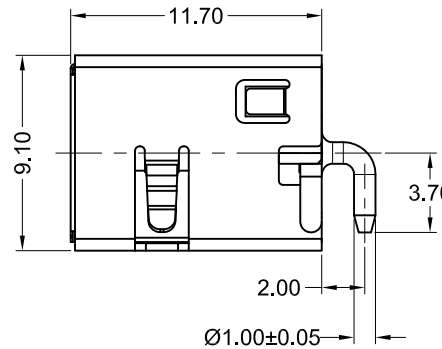
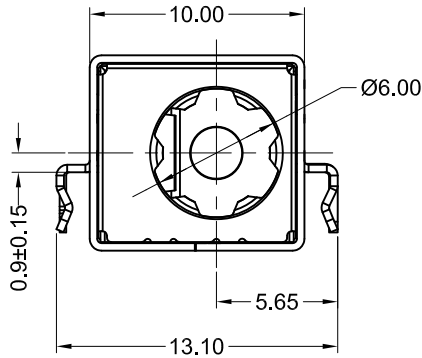
### Mechanical Characteristics

Durability: 5000 Mating Cycles Min.

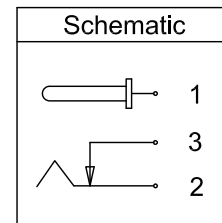
Insertion Force: 0.3kg-3.0kg

Extraction Force: 0.3kg-3.0kg

Operating Temperature: -25°C to +70°C



Recommended PCB Layout (Top View)



Part Number	Center Post Diameter
KLDHCX-MM-0202-ATR	Ø2.0±0.05
KLDHCX-MM-0202-BTR	Ø2.5±0.05

### Tolerances

X.X ± 0.35  
X.XX ± 0.25  
Unless Stated Otherwise



REV.	DATE	DESCRIPTION	REV. BY	CHK. BY	DRAWN BY	DATE
A1	04/27/12	New P/N, Release Drawing	C. Kelleher	N/A	S. Vien	01/12/12
A2	06/06/12	ECO #12-033	S. Vien	P. DalCanto		
A3	01/16/13	ECO #12-063	S. Vien	P. DalCanto		
A4	08/19/14	Add Dim	C. Kelleher	P. DalCanto	UNITS	mm
A5	12/21/17	ECO #17-051	J. Elbanna	C. Kelleher		
A6	04/02/18	Add UL	H. MA	N/A		

KLDHCX-MM-0202-xTR

Midmount DC Power Jack

RoHS Compliant

