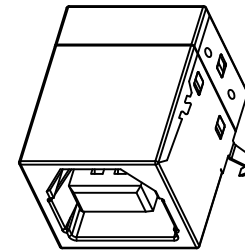
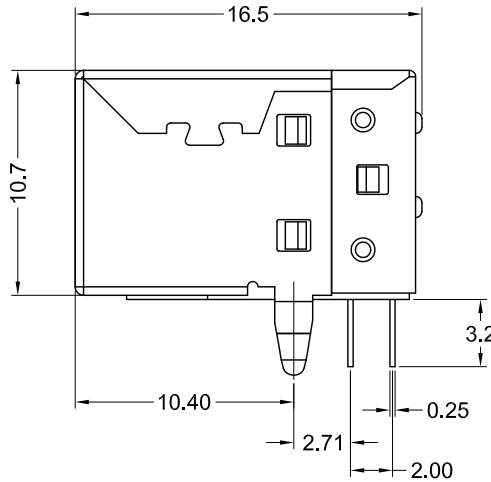
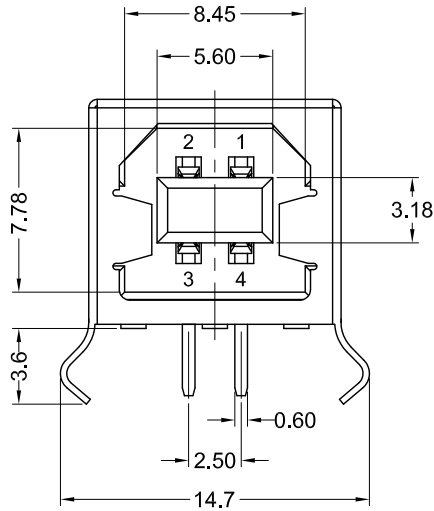


Recommended PCB Layout
(Top View)



Materials and Finish

Insulator: PBT Thermoplastic
 UL94V-0 Rated
 Color- White or Black
 Contact Material:
 Phosphor Bronze
 Plating Options:
 Standard: gold flash
 on contact area,
 tin on soldertails,
 all over nickel underplated
 -30 Option: 30u" Gold
 on contact area
 tin on soldertails,
 all over nickel underplated
 Shield: Brass, Nickel Plated

Electrical Specifications

Current Rating:
 1.5A @30V AC
 Contact Resistance:
 20 milliohms Max.
 Insulation Resistance:
 1000 Megohms Min.
 Dielectric Withstanding:
 750V AC

Mechanical Specifications

Insertion Force:
 3.57kg max.
 Extraction Force:
 1.02kg min.
 Durability:
 1500 Cycles.
 Operating Temperature:
 -40°C to +105°C

Part Number	Insulator Color	Contact Area Plating Finish
KUSBEX-BSFS1N-W	white	Gold Flash (standard option)
KUSBEX-BSFS1N-B	black	
KUSBEX-BSFS1N-W30	white	30u" Gold (-30 option)
KUSBEX-BSFS1N-B30	black	

Tolerances
X.X ± 0.25
X.XX ± 0.15
Unless Stated
Otherwise



REV.	DATE	DESCRIPTION	REV. BY	CHK. BY	DRAWN BY	DATE
A0	12/21/07	New Drawing	WILL H.	H. MA	WILL H.	11/15/07
A1	1/14/08	Release Drawing	H. MA	N/A		
A2	02/10/11	Correct Unit	S. Vien	H. MA		UNITS
A3	05/09/11	ECO #11-028	S. Vien	H. MA		
A4	05/08/13	ECO #13-020	W. Cook	P. DalCanto		
A5	03/30/16	Add Specifications	H. MA	W. Cook		

KUSBEX-BSFS1N-xxx

USB B-Type Receptacle
 w/ Back cover, RoHS Compliant

