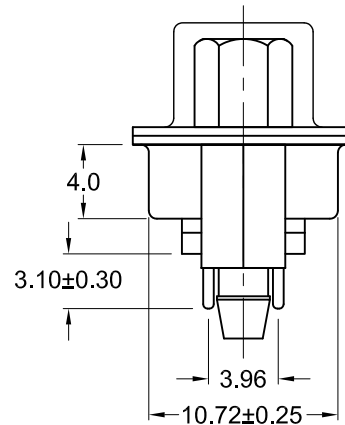
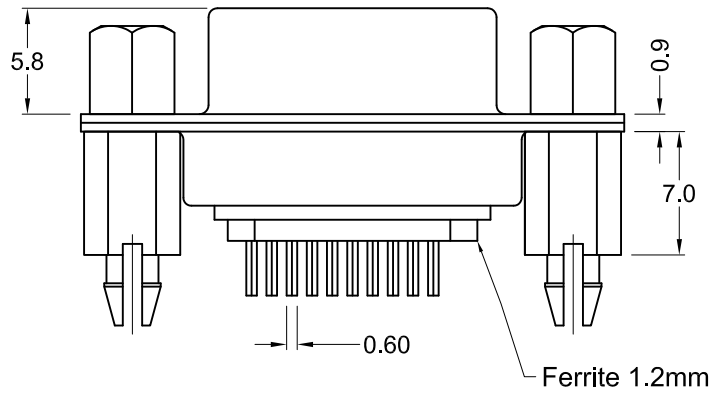


Recommended PCB Layout
(Top View)



Material and Finish

- Shell: Steel, tin plated
- Insulator: PBT thermoplastic with glass-fiber reinforcement, UL94V-0 rated
Color: Black
- Contact Material: Socket - Brass
- Contact Plating Options:
Standard: gold flash on mating end, tin on termination end, nickel underplate on entire contact
- 15 Option: 15u" gold on mating end, tin on termination end, nickel underplate on entire contact
- 30 Option: 30u" gold on mating end, tin on termination end, nickel underplate on entire contact

Electrical Specifications

- Rated Current: 1.5A
- Rated Voltage: 30Vac
- Insulation Resistance: more than 1000 megohms at 500V DC
- Contact Resistance: 13 milliohms max.
- Dielectric Withstanding Voltage: 1000V for 1 minute
- Operating Temperature: -55°C to +75°C

Ordering Information

Part Number	Contact Area Plating Finish
KF86X-ED-15S-BRJ	Gold Flash (standard option)
KF86X-ED-15S-BRJ15	15u" Gold (15 option)
KF86X-ED-15S-BRJ30	30u" Gold (30 option)

Ferrite Specifications

Measured Value(OHM)	Test Frequency
12 MIN.	25 MHz.
30 MIN.	100 MHz.



Tolerances
X.X ± 0.30
X.XX ± 0.20
Unless Stated
Otherwise

REV.	DATE	DESCRIPTION	REV. BY	CHK. BY	DRAWN BY	DATE
A1	8/16/05	New Drawing	R. Aguirre	H. Ma	R. Aguirre	8/26/05
A2	1/21/08	ECO# 07-052	WILL H.	H. MA		
A3	10/20/14	ECO#14-028	H. MA	P. DalCanto		
A4	05/13/16	ECO#16-009	H. MA	W. Cook		
						UNITS
						mm

KF86X-ED-15S-BRJ

Vertical D-sub, High Density, RoHS Compliant

15 Pin Female, Boardlock with Ferrite

