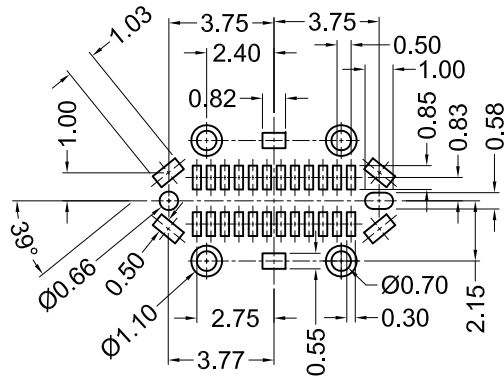
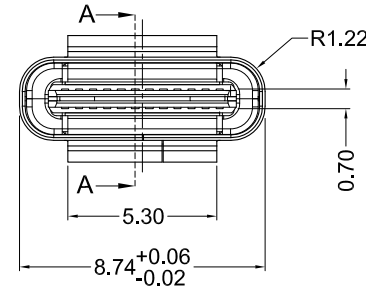
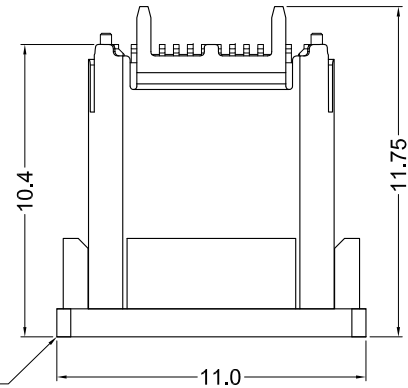
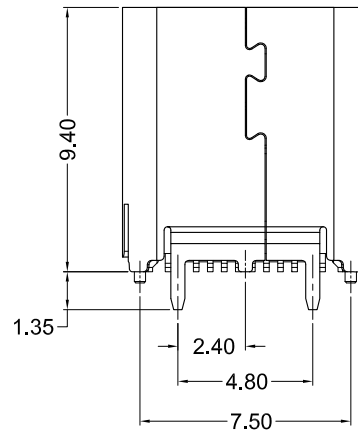


PICK UP CAP



Recommended PCB Layout
(Top View)



Materials and Finish

Housing: High Temp Thermoplastic
UL 94V-0 Rated
Shell: Stainless Steel, Nickel Plated
Contact Material:
Copper Alloy
Contact plating:
30u" Gold Plated on Contact Area,
Matte Tin Plated on Solder Tails,
All over Nickel Underplate

Electrical Characteristics

Rated Current:
5.0A Inclusive (1.25A Ea.) For Pins
A4, A9, B4, and B9 (VBUS)
1.25A Each For Pins A5 and B5 (CC)
6.25A Inclusive (1.56A Ea.) For Pins
A1, A12, B1 and B12 (GND)
0.25A For All Other Pins (RX, TX)
Rated Voltage: 30V
Insulation Resistance:
100 Megohms Min. at 250V DC
Contact Resistance:
40 milliohms Max.
Dielectric Withstanding Voltage:
100V AC RMS for 1 Minute

Mechanical Characteristics

Insertion Force: 5N - 20N
Withdrawal Force: 6N - 20N
Durability: 10000 Mating Cycles Min.
Operating Temperature:
-55°C to +85°C

Part Number	Insulator Color	Contact Area Plating	Packaging
KUSBVX-SMT-CS-B30TRC	Black	30u" Gold	Tape & Reel
KUSBVX-SMT-CS-W30TRC	White	30u" Gold	Tape & Reel

Tolerances
X.X ± 0.30
X.XX ± 0.20
Unless Stated Otherwise



REV.	DATE	DESCRIPTION	REV. BY	CHK. BY	DRAWN BY	DATE
A0	12/22/15	New Drawing	C. Kelleher	W. Cook	C. Kelleher	11/11/15
A1	12/30/15	Release Drawing	C. Kelleher	N/A		
A2	05/20/16	Add Dims	C. Kelleher	W. Cook		
					UNITS	
					mm	

KUSBVX-SMT-CS-x30TRC
(x = Insulator Color Option)

USB TYPE C SOCKET, VERTICAL, SMT,
30u" GOLD, MATTE TIN, T/R, W/CAP

