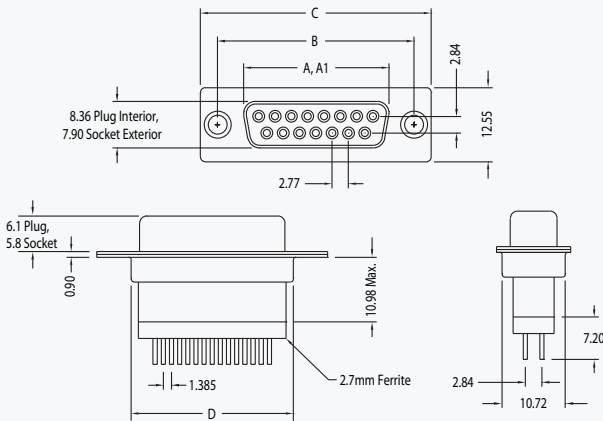




**D-SUBMINIATURE CONNECTORS:**  
**KF88X Series**  
 High Profile Vertical PCB Mount with Ferrite

**KF88X Series Dimensions**  
 Dimensions in mm



Number of Contacts (Shell Size)	Dimensions (Inch/mm)				
	A	A1	B	C	D
9 (E)	.643 16.33	.666 16.92	.984 24.99	1.213 30.81	.755 19.18
15 (A)	.971 24.66	.994 25.25	1.312 33.32	1.541 39.14	1.083 27.51
25 (B)	1.511 38.38	1.534 38.96	1.852 47.04	2.088 53.04	1.614 41.00
37 (C)	2.159 54.84	2.182 55.42	2.500 63.50	2.729 69.32	2.272 57.71

**Ferrite Specifications**

Test Frequency	Edge Hole	Inner Hole
30 Mhz	17-27 Ohms	22-30 Ohms
50 Mhz	22-30 Ohms	29-37 Ohms
100 Mhz	29-34 Ohms	35-40 Ohms

A = Exterior of Female Shell (S)  
 A1 = Interior of Male Shell (P)

2D Drawing	IGES	STEP	3D PDF
Solder Profile	CofC RoHS Compliant	CofC REACH Compliant	UL Plastic File
Certificate of Origin	Check Stock	Request a Sample	Send Us An Email

Generated Part Number

Part Number Builder

<input type="text"/>	-	<input type="text"/>	<input type="text"/>	<input type="text"/>	<input type="text"/>	<input type="text"/>
Series		Shell Type	Contact Construction	Contact Option	Contact Type	Mounting Option

**Series**

**KF88X** - D-Subminiature Connector Vertical PCB Termination, High Profile with Ferrite

**Contact Shell Size**

- E - 9 Contacts
- A - 15 Contacts
- B - 25 Contacts
- C - 37 Contacts

**Contact Construction**

- C - Precision Machined
- D - Precision Formed

**Contact Type**

- P - Pin Contact (Plug)
- S - Socket Contact (Receptacle)

**Mounting Option Jackscrew Option**

- BR - With #4-40 Tin Plated 14.50mm Long Boardlocks
- BRJ - With #4-40 Tin Plated 14.50mm Long Boardlocks and #4-40 Jackscrews

Contact Kycon for Other Options