



**IP67 Connectors: GM67X-CS Series  
Cable Side, IP67 Cable Mount**

(Must Be Used with GM67X Series Box Side Part)

**Product Features**

- IP67
- Cable Mount
- Cable O.D. Options Available

**Performance Specifications**

**Materials and Finish**

**Housing Material**

Polycarbonate, UL 94V-0 Rated, Black Color

**Seal**

Silicone, UL 94HB Rated, Red or Blue Color

**Nut Material**

Polycarbonate, UL 94V-0 Rated, Black Color

**Gasket Material**

Silicone, UL 94HB Rated, Red Color

**Note:**

- \*Must be used with GM67X box side part
- \*To be used when assembling Cat 5 cable
- \*Kycon can offer custom cable assemblies (mins will apply)

2D Drawing	IGES	STEP	3D PDF
Solder Profile	CofC RoHS Compliant	CofC REACH Compliant	UL Plastic File
Certificate of Origin	Check Stock	Request a Sample	Send Us An Email

Generated Part Number

Part Number Builder



**Series**

GM67X-CS - Cable Mount IP67 Cable Side Component

**Cable Seal**

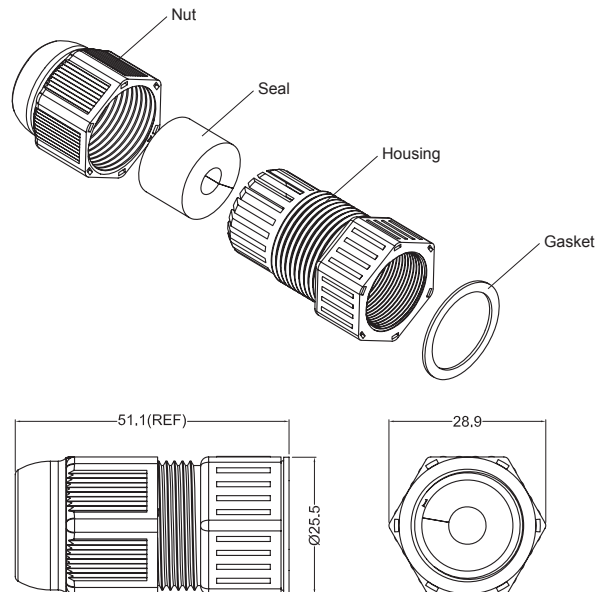
- R - Seal for Cable Outer Diameter of 5.5 mm - 7 mm
- B - Seal for Cable Outer Diameter of 7 mm - 9.5 mm

Contact Kycon for Other Options

**GM67X-CS Series**

Dimensions in mm

**GM67X-CS-R**



- R: Recommended Cable O.D.: 5.5 mm to 7 mm
- B: Recommended Cable O.D.: 7 mm to 9.5 mm

[Click here for assembly instructions](#)