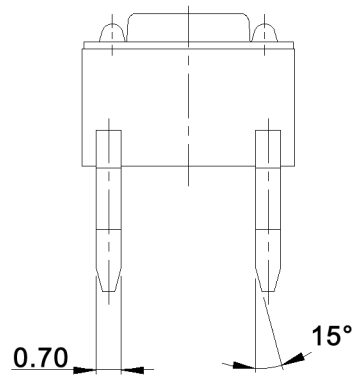
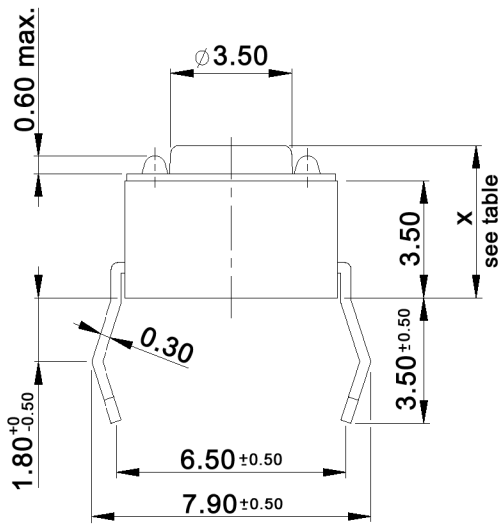
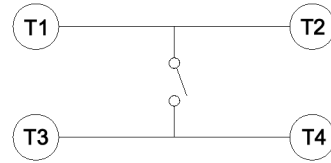
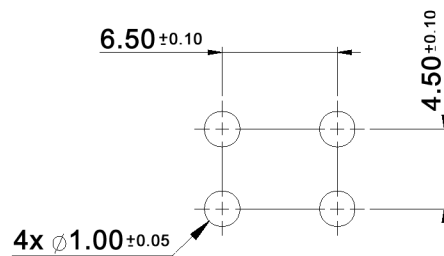


CIRCUIT DIAGRAM



x	Height (mm)
1	4.30
2	5.00
3	7.00
5	9.50
6	13.00

P.C.B. LAYOUT



Tolerances: $\pm 0.20\text{mm}$			Date	Name
			04/10	dr
Modifications			Date	Name

TS 6x y

30 20 64

Page

1/2

knitter-switch

Specifications:

Contact rating: 50mA, 12V DC
 Contact resistance: 100mOhm max.
 Insulation resistance: 100MOhm min. at 500V DC for 1 minute
 Dielectric strength: 250V AC (50/60Hz) for 1 minute
 Operating temperature: -40°C to +85°C
 Storage temperature: -40°C to +85°C
 Soldering conditions: pre-heat: max. 100°C, max. 60sec.
 wave soldering: max. 265°C, max. 5sec.
 Travel: 0.25 +0.2/-0.1mm
 Material: Cover: stainless steel
 Stem / base: high-temp. thermoplastic nylon UL94V-0
 Contact: phosphor bronze, silver plated over nickel
 Terminal: brass, silver plated over nickel

y	Stem color	Operating force (gf)	Electrical life (cycles)
K	black	100 +/-50	min. 100 000
N	brown	160 +/-50	min. 100 000
R	red	260 +/-50	min. 50 000
S	salmon	320 +/-80	min. 25 000
Y	yellow	520 +/-130	min. 25 000



Tolerances: ±0.20mm		Date	Name	<h1>TS 6x y</h1>
		04/10	dr	
			knitter-switch	<h1>30 20 64</h1>
Modifications		Date	Name	Page 2/2