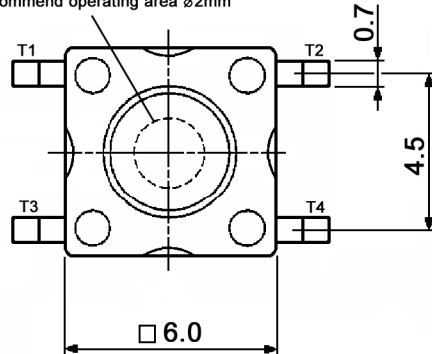


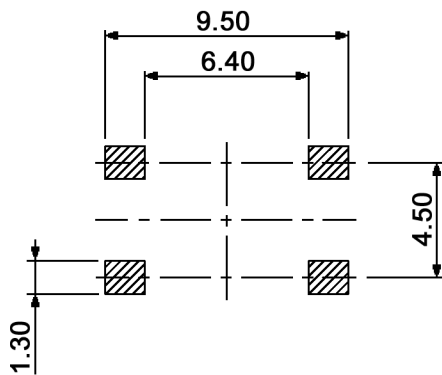
4x **A** common tolerances zone

$\square \pm 0.1$

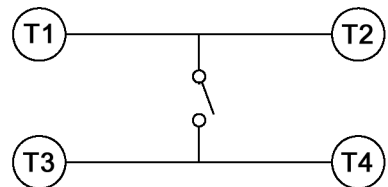
Recommend operating area $\varnothing 2\text{mm}$



P.C.B. LAYOUT



CIRCUIT DIAGRAM



Compliance: RohS II (2011/65/EU)

Tolerances: up to 10: $\pm 0.2\text{mm}$ above 10-50: $\pm 0.3\text{mm}$			Date	Name
			12/05	dr
Rename	12/15	dr		
Rename	05/15	dr		
Rivet height	10/09	dr		
Actuator	12/07	dr		
Material	12/07	dr		
Packaging	03/07	dr		
Soldering conditions	08/06	rmg		
Part number	04/06	dr		
Modifications	Date	Name		

TSS 61 x

knitter-switch

30 07 40

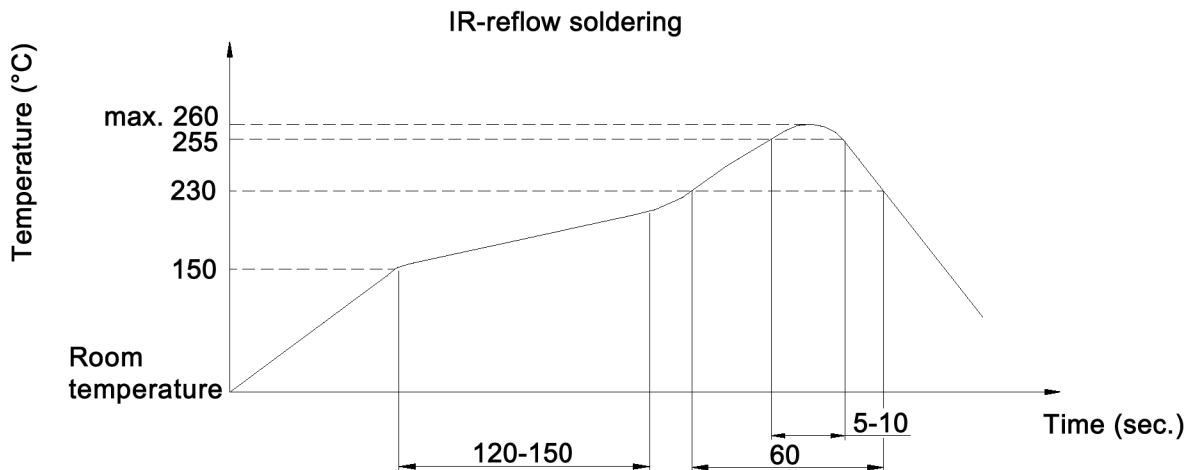
Page

1/3

Specifications:

Contact rating: 50mA, 12V DC
Contact resistance: 100mOhm max.
Insulation resistance: 100MOhm min. at 100V DC for 1 minute
Dielectric strength: 250V AC (50/60Hz) for 1 minute
Operating temperature: -40°C to +85°C
Storage temperature: -40°C to +85°C
Material: Stem: high-temp. thermoplastic UL94V-0
 Base: high-temp. thermoplastic UL94V-0, black
 Contact: phosphor bronze, silver plated
 Terminals: brass, silver plated
 Cover: stainless steel

Soldering conditions:



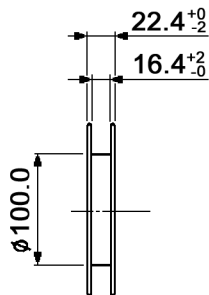
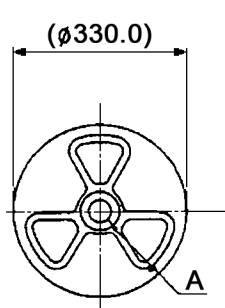
x	Operating force	Mechanical life	Stem color
K	100 +/-30 gf	150 000 cycles	black
N	160 +/-50 gf	150 000 cycles	brown
R	250 +/-70 gf	150 000 cycles	red
S	320 +/-70 gf	100 000 cycles	salmon
Y	520 +/-130 gf	50 000 cycles	yellow

Compliance: RohS II (2011/65/EU)

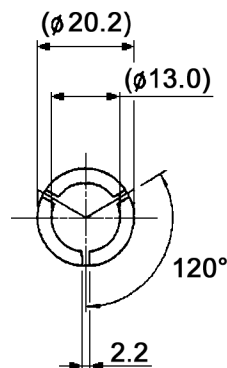
Tolerances: up to 10: ±0.2mm above 10-50: ±0.3mm		Date	Name	TSS 61 x	
		12/05	dr		
			knitter-switch	30 07 40	
Modifications			Date	Name	Page 2/3

Packaging:

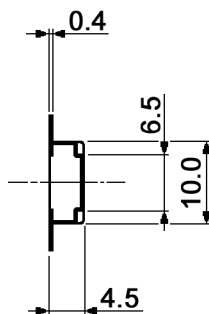
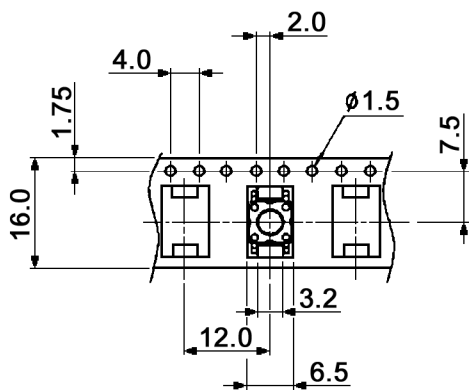
REEL



DETAIL "A"



CARRIER TAPE



COVER TAPE



Packaging unit: 1 000 pcs. / reel
 Compliance: RohS II (2011/65/EU)

Tolerances: up to 10: ±0.2mm above 10-50: ±0.3mm	Date	Name
	12/05	dr
Modifications	Date	Name

TSS 61 x

30 07 40

Page

3/3

knitter-switch