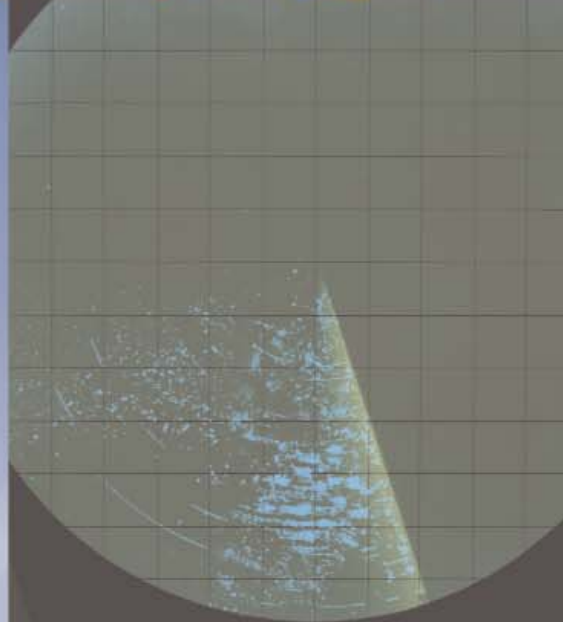
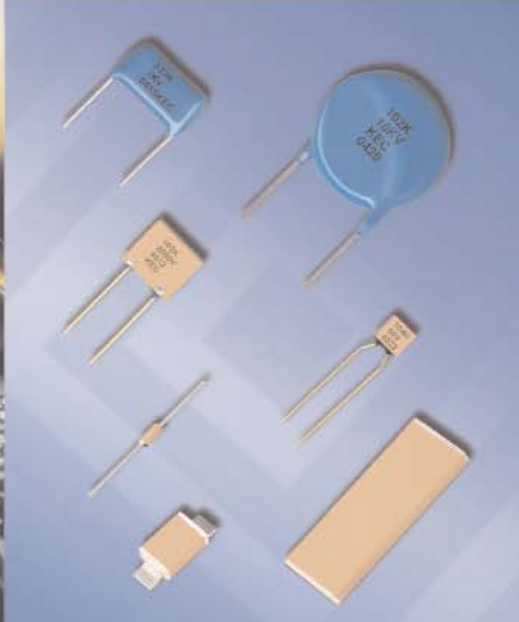
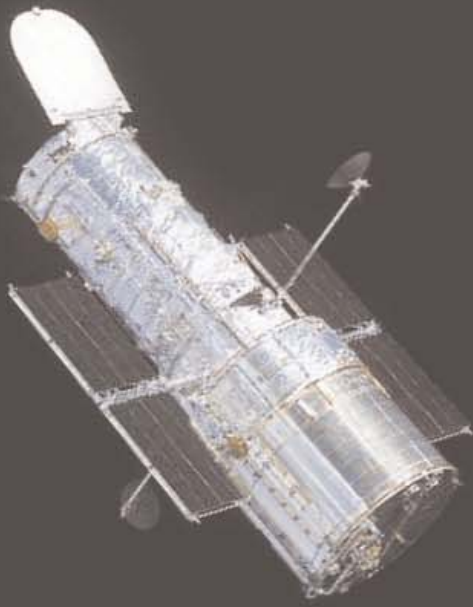


©2008 KEMET Electronics



High Temperature High Voltage Ceramic Capacitors

www.kemet.com

F-3106F 2/08

The Capacitance Company
KEMET
CHARGED.™

General Performance Characteristics3-6

HIGH TEMPERATURE CERAMIC CAPACITORS

HT/HP - Standard Series - (+200°C) Ceramic Capacitors C0G (NP0), X7R Dielectric7-9
HV-High Voltage Series - (+200°C) Ceramic Capacitors C0G (NP0), X7R Dielectric10-12
Ceramic Cased Capacitors C3 General Information13
SCR/SCA Standard Axial & Radial Ceramic Capacitors - C0G (NP0) Dielectric14-16
SRR/SRA Standard Axial & Radial Ceramic Capacitors - X7R Dielectric14-16
ACR/ACA High Temperature (+200°C) Axial & Radial Ceramic Capacitors - C0G (NP0) Dielectric17-19
ARR/ARA High Temperature (+200°C) Axial & Radial Ceramic Capacitors - X7R Dielectric17-19
TCR/TCA High Temperature (+260°C) Axial & Radial Ceramic Capacitors - C0G (NP0) Dielectric20-22
TRR/TRA High Temperature (+260°C) Axial & Radial Ceramic Capacitors - X7R Dielectric20-22
VCR - C3 High Temperature/High Voltage (+260°C) Axial & Radial Ceramic Capacitors - C0G (NP0) Dielectric . . .23-25
VRR - C3 High Temperature/High Voltage (+260°C) Axial & Radial Ceramic Capacitors - X7R Dielectric23-25

HIGH VOLTAGE CERAMIC CAPACITORS

HV Series, High Voltage, Radial Conformally Coated, C0G (NP0), X7R Dielectric26-30
HV Series, High Voltage, Radial Conformally Coated, C0G (NP0) & X7R Dielectric (MIL-PRF-49467 Equivalent) . . .31-33
HS Series, High Voltage, Radial Conformally Coated, Space Quality, C0G (NP0) & X7R Dielectric34-38
High Voltage, Ceramic Chip Military Equivalent Tested - C0G (NP0), X7R Dielectric39-43
SM Series, High Voltage Surface Mount Ceramic Chip - C0G (NP0), X7R Dielectric44-48
D Series, High Voltage Surface Mount Ceramic Disc - C0G (NP0), X7R, X5U Dielectric49-50

High Temperature, High Voltage Performance Characteristics

GENERAL SPECIFICATIONS

Working Voltage:

C0G	50, 100, 200, 500, 1k, 2k, 3k, 4k, 5k, 7.5k, 10k, 15k, 20k
X7R	50, 100, 200, 500, 1k, 2k, 3k, 4k, 5k, 7.5k, 10k, 15k, 20k, 30k, 40k, 50k
X5U	3k, 4k, 5k, 7.5k, 10k, 15k, 20k

Temperature Characteristics:

C0G	0 + 30 PPM / °C from -55°C to +125°C (1)
X7R	+15% from -55°C to +125°C
X5U	+22%, -56% from -55°C to +85°C

Capacitance Tolerance:

C0G	+0.5pF, +1%, +2%, +5%, +10%
X7R	±5%, ±10%, ±20%, +80% / -20%, +100% / -0%
X5U	±5%, ±10%, ±20%, +80% / -20%, +100% / -0%

Construction:

Epoxy encapsulated - meets flame test requirements of UL Standard 94V-0.
High-temperature solder - meets EIA RS-198, Method 302, Condition B (260°C for 10 seconds)

Termination Material:

Check individual Series: Part Number and Ordering Information for Termination Materials offered in each series.

Solderability:

MIL-STD 202, Method 208
(Test Method: ANSI/J-STD-002)
Test A for through-hole mount and surface mount leaded.
Test B for surface mount leadless components.

Terminal Strength:

MIL-STD 202, Method 208, Condition A (2.3kg or 5 lbs)

Resistance to Solvents:

MIL-STD 202, Method 215

Resistance to Soldering Heat:

MIL-STD 202, Method 210, Test Condition C

ELECTRICAL

Capacitance @ 25°C:

Within specified tolerance and following test conditions per MIL-STD 202, Method 305.
C0G, X7R & X5U
> 100pF with 1.0 vrms @ 1 kHz with 1.0 vrms
< 100pF with 1.0 vrms @ 1 MHz with 1.0 vrms

Dissipation Factor @ 25°C:

Same test conditions as capacitance.
C0G - 0.15% maximum
X7R - 2.5% maximum
X5U - 2.5% maximum

Insulation Resistance @25°C:

MIL-STD 202, Method 302
C0G & X7R:
100 gigohm or 1 gigohm x uF, whichever is less.
<500V test @ rated voltage, >1kV test @ 500V.
X5U:
10 gigohm or 100 megohm x uF, whichever is less.
<500V test @ rated voltage, >1kV test @ 500V.

Dielectric Withstanding Voltage:

MIL-STD 202, Method 301
<200V test @ 250% of rated voltage
500V to 1250V test @ 150% of rated voltage
>1251V test @ 120% of rated voltage

ENVIRONMENTAL

Vibration:

MIL-STD 202, Method 204, Condition D (20g)

Shock:

MIL-STD 202, Method 213, Condition I (100g)

Life Test:

MIL-STD 202, Method 108

<200V

C0G - 200% rated voltage @ +125°C
X7R - 200% rated voltage @ +125°C

>500V

C0G - rated voltage @ +125°C
X7R - rated voltage @ +125°C
X5U - rated voltage @ +85°C

Post Test Limits @ 25°C are:

Capacitance Change:

C0G (< 200V) - +3% or 0.25pF, whichever is greater.
C0G (> 500V) - +3% or 0.50pF, whichever is greater.
X7R - +20% of initial value (2)

Dissipation Factor:

C0G - 0.25% maximum
X7R & X5U - 3.0% maximum

Insulation Resistance:

C0G & X7R:
100 gigohm or 1 gigohm x uF, whichever is less.
<500V test @ rated voltage, >1kV test @ 500V.

X5U:

10 gigohm or 100 megohm x uF, whichever is less.
<500V test @ rated voltage, >1kV test @ 500V.

Moisture Resistance:

MIL-STD 202, Method 106

Post Test Limits @ 25°C are:

Capacitance Change:

C0G (< 200V) - +3% or 0.25pF, whichever is greater.
C0G (> 500V) - +3% or 0.50pF, whichever is greater.
X7R - +20% of initial value (2)

Dissipation Factor:

C0G - 0.25% maximum
X7R & X5U - 3.0% maximum

Insulation Resistance:

C0G & X7R:
100 gigohm or 1 gigohm x uF, whichever is less.
<500V test @ rated voltage, >1kV test @ 500V.

X5U:

10 gigohm or 100 megohm x uF, whichever is less.
<500V test @ rated voltage, >1kV test @ 500V.

Thermal Shock:

MIL-STD 202, Method 107, Condition A

C0G & X7R: -55°C to 125°C

X5U: -55°C to 85°C

- (1) +53 PPM -30 PPM/ °C from +25°C to -55°C, +60 PPM below 10pF.
- (2) X7R & X5U dielectrics exhibit aging characteristics; therefore, it is highly recommended that capacitors be deaged for 2 hours at 150°C and stabilized at room temperature for 48 hours before capacitance measurements are made.

	HIGH TEMPERATURE	HIGH VOLTAGE
MILITARY & AEROSPACE		
Avionics	X	X
Radar Systems	X	X
Telemetry, Data Tx/Rx		X
Control Systems	X	
MEDICAL		
.5 to 1.5 Tesla MR1 &		X
NM1 Tuning Coils		X
1 to 3 Tesla MR1 Gradient		X
Coils & Magnetic Rings		X
CT-Scanner		X
Medical MRI		X
X-Ray Generator	X	X
SEMICONDUCTOR		
RF Tuning Networks		X
RF Power Supplies		X
Semiconductor Manufacturing	X	
SECURITY		
Handheld Scanners		X
Intruder Detection Systems		X
Luggage Scanners		X
Metal/Explosive Detector		X
OTHER		
LCD Backlight Inverter		X
Electric Ballast for CFL	X	X
Electric Ballast for Fluorescent Lamp	X	X
Measurement Equipment	X	X
Microwave/Convection Ovens	X	X
POWER SUPPLY		
HV Power Supply	X	X
Power Station Equipment		X
Power Supply for Air Conditioner, Washing Machine		X
Inverter Power Supply-AC	X	
TELECOM		
Base Station Power amps		X
Broadcasting Equipment		X
MODEM		
DAA Modem		X
xDSL Modem		X
LAN, Router, HUB, Switches		X
RF Power Amplifiers		X
INDUSTRIAL		
Oil Rigging, Down Hole, Mining	X	X

KEMET High Voltage Technical Summary

	ELECTRICAL			ENVIRONMENTAL	MECHANICAL
	Voltage Range	Capacitance Range	Dissipation Factor	Operating Temperature Range	Configuration
HIGH VOLTAGE					
Radial Conformally Coated					
Std	C0G/X7R: 500 to 10k VDC	C0G:12 pF - .330µF X7R: 220 pF - 5.6 µF	C0G: 0.15% max X7R: 2.5% max	C0G: -55°C to + 125°C X7R: -55°C to + 125°C	Radial
Mil-PRF-49467 Equivalent	C0G/X7R: 600 to 5k VDC	C0G: 12 pF - .68 µF X7R: 27 pF - .47 µF	C0G: 0.15% max X7R: 2.5% max	C0G/X7R: -55°C to + 125°C	Radial
Space Quality	C0G/X7R: 500 to 10k VDC	C0G/X7R: 560 pF - 2.20µF	C0G: 0.15% max X7R: 2.5% max	C0G/X7R: -55°C to + 125°C	Radial
Ceramic Surface Mount Chip					
Military	C0G/X7R: 500 to 5k VDC	C0G: 12 pF - .10 µF X7R: 270 pF -2.50 µF	C0G: 0.15% max X7R: 2.5% max	C0G/X7R: -55°C to + 125°C	Chip
Leaded Chips J or L lead	C0G/X7R: 500 to 10k VDC	C0G: 12 pF-.330 µF X7R: 220 pF-5.6 µF	C0G: 0.15% max X7R: 2.5% max	C0G/X7R: -55°C to + 125°C	Leaded Chip J or L Lead
Disc	C0G/X5U: 3k to 20k VDC, X7R:3k to 50k VDC	C0G: 1.2 pF-236 pF X7R: 10 p -7400 pF X5U: 80 pF-17300 pF	C0G: 0.15% max X7R: 2.5% max X5U: 2.5% max	C0G/X7R: -55°C to + 125°C X5U: -55°C to + 85°C	Disc
Disc Stack	C0G/X7R/X5U: 5k to 20k VDC	C0G: 1.2 pF-141 pF X7R: 37 pF-4400 pF X5U: 80 pF-10400 pF	C0G: 0.15% max X7R: 2.5% max X5U: 2.5% max	C0G/X7R: -55°C to + 125°C X5U: -55°C to + 85°C	Disc Stack

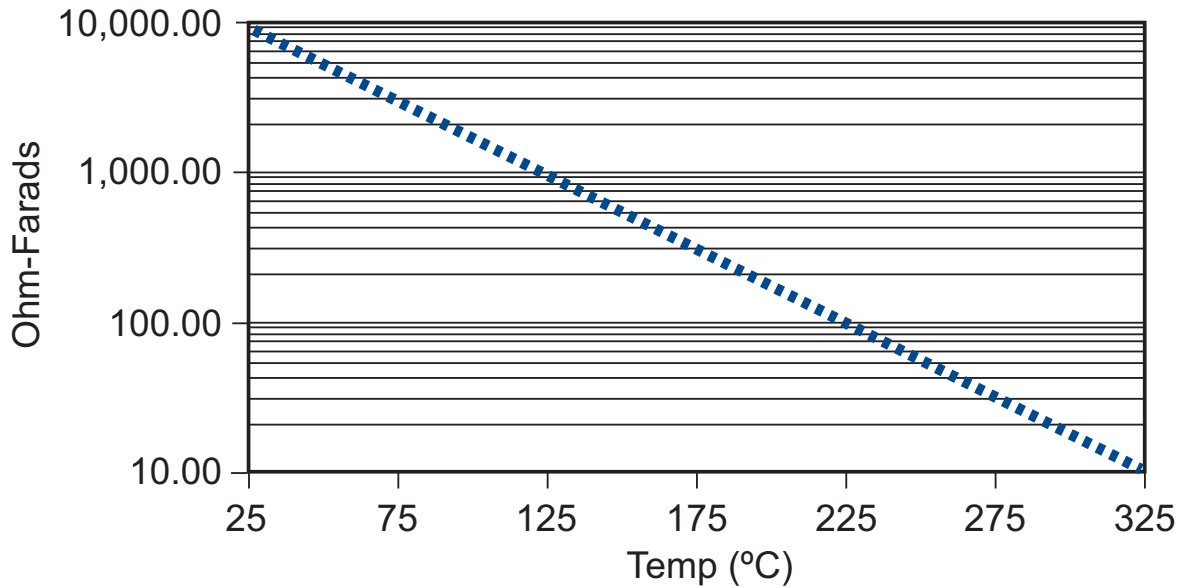
HIGH TEMPERATURE

Hi Temp (HT/HP)	100 to 200 VDC	-C0G: 22 pF-.100 µF X7R:1000 pF-1.0µF	C0G 0.15% X7R Type 2.0% X7R 2.50%	-55°C to + 200°C	Axial/Radial
Hi Temp Hi Volt (HV)	500 to 4000 VDC	C0G: 390 pF-.015 µF X7R:1400 pF- .270 µF	C0G 0.15% X7R Type 2.0% X7R 2.50%	-55°C to + 200°C	Radial
Ceramic Cased Capacitor					
Std 125°C (SCR/SRR/SCA/SRA)	50 to 200 VDC	C0G: 1.0 pF- .12 µF X7R:100 pF- 6.8 µF	C0G 0.15% X7R 2.50%	-55°C to + 125°C	Axial/Radial
200°C (ACR/ARR/ACA/ARA)	50 to 100 VDC	C0G: 1.0 pF- .12 µF X7R:100 pF- 3.3 µF	C0G 0.15% X7R 2.50%	-55°C to + 200°C	Axial/Radial
260°C (TCR/TRR/TCA/TRA)	50 to 100 VDC	C0G: 1.0 pF- .12 µF X7R:100 pF- 3.3 µF	C0G 0.15% X7R 2.50%	-55°C to + 260°C	Axial/Radial
Hi Temp Hi Volt (VCR/VRR)	500 to 5000 VDC	C0G: 10 pF-.056 µF X7R:330 pF-1.2µF	C0G 0.15% X7R 2.50%	-55°C to + 200°C	Radial

DIELECTRIC COMPARISONS

Features	Ultra Stable	Semi-Stable High Voltage	Semi-Stable Hi-Temp	Temp/Volt Dependent
Dielectric Type	C0G (NP0)	X7R	X7R type	X5U
Temperature Coefficient	0 ±30ppm/°C	±15%	+15/-40%	+22-56%
Operating Temp. Range	-55 to +200°C	-55 to +125°C	-55 to +200°C	-55 to +125°C
Dissipation Factor	0.1% max.	2.5% max.	2.0% max.	2.5% max.
Aging Rate	None	-2.0% max/dec. hour	-2.0% max/dec. hour	-2.0% max/dec. hour
Voltage Range	25 to 20k VDC	50 to 50k VDC	25 to 4k VDC	Up to 20K VDC
Standard Tolerance	J, K, M	K, M, P, Z	K, M, P, Z	M, P, Z
Coefficient of Thermal Expansion @ 25°C	9 X 10-6 IN/IN °C	11 X 10-6 IN/IN °C	11 X 10-6 IN/IN °C	11 X 10-6 IN/IN °C

**TYPICAL INSULATION RESISTANCE VS. TEMP (°C)
FOR C0G, NP0 & X7R DIELECTRICS**



High Temperature (+200°C) Axial and Radial Ceramic Capacitors HT/HP Series

FEATURES

The HT/HP Series is used in robust applications

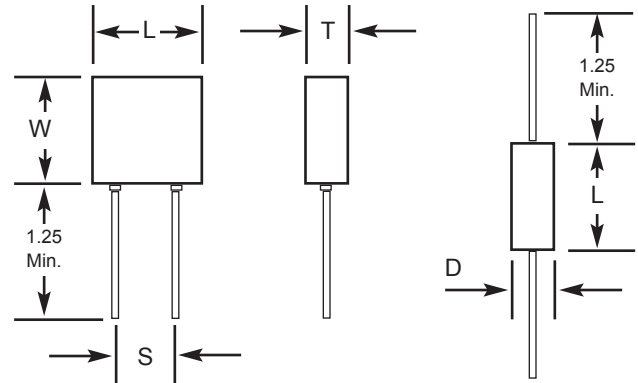
- Down Hole
- Industrial
- Harsh Environments

Where a Radial/Axial coated capacitor can withstand high temperatures (200°C).

NOTE:

Other tolerances, higher capacitance values, voltages, or special package configurations are available upon request.

CAPACITOR OUTLINE DRAWING



DIMENSIONS

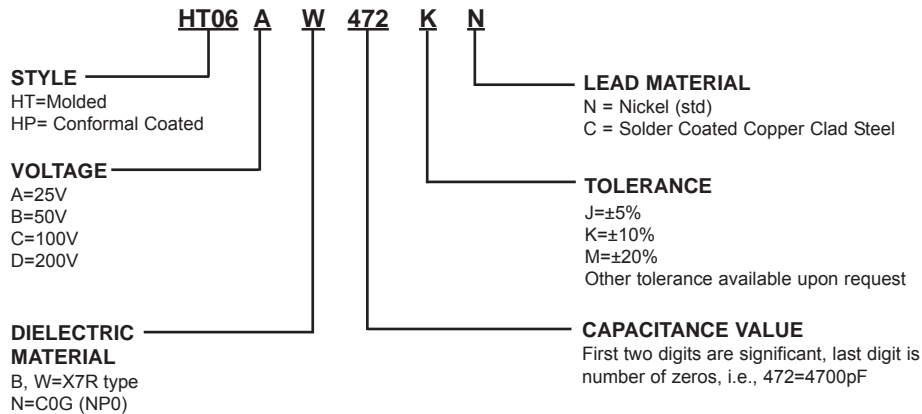
Molded (HT) and Conformal Coated (HP), Radial Lead Types

Style	Sizes in Inches (mm) max			Lead Spacing ±0.030 (S)
	Length (L)	Width (W)	Thickness (T)	
HT05	.200 (5.08)	.200 (5.08)	.100 (2.54)	.100 (2.54)
HT55	.200 (5.08)	.200 (5.08)	.100 (2.54)	.200 (5.08)
HT06	.300 (7.62)	.300 (7.62)	.150 (3.81)	.200 (5.08)
HT08	.500 (12.70)	.500 (12.70)	.250 (6.35)	.400 (10.16)
HT09	.700 (17.78)	.400 (10.16)	.200 (5.08)	.500 (12.70)

Tubular Case, Axial Lead Types

Style	Sizes in Inches (mm) max	
	Length (L)	Diameter (D)
HT11	.170 (4.32)	.100 (2.54)
HT13	.260 (6.60)	.135 (3.43)
HT14	.400 (10.16)	.155 (3.94)
HT15	.500 (12.70)	.200 (5.08)
HT16	.750 (19.05)	.375 (9.52)

PART NUMBER AND ORDERING INFORMATION



MARKING
(HT05, HT55, HT11)
472K
KEC

(All other sizes)
HT06AW472K
KEC
Date Code

For CONFORMAL COATED types, change style number to HPXX. HP dimensions will be reduced slightly.

COG & X7R DIELECTRIC

COG RADIAL																		
STYLE		HT/HP 05			HT/HP 55			HT/HP 06			HT/HP 08			HT/HP 09				
Cap	Cap Code	50	100	200	50	100	200	50	100	200	50	100	200	50	100	200		
		22pF	220															
27	270																	
33	330																	
39	390																	
47	470																	
56	560																	
68	680																	
82	820																	
100	101																	
120	121																	
150	151																	
180	181																	
220	221																	
270	271																	
330	331																	
390	391																	
470	471																	
560	561																	
680	681																	
820	821																	
1000	102																	
1200	122																	
1500	152																	
1800	182																	
2200	222																	
2700	272																	
3300	332																	
3900	392																	
4700	472																	
5600	562																	
6800	682																	
8200	822																	
.010 uF	103																	
0.012	123																	
0.015	153																	
0.018	183																	
0.022	223																	
0.027	273																	
0.033	333																	
0.039	393																	
0.047	473																	
0.056	563																	
0.068	683																	
0.082	823																	
0.10	104																	
0.12	124																	

X7R RADIAL																		
STYLE		HT/HP 05			HT/HP 55			HT/HP 06			HT/HP 08			HT/HP 09				
Cap	Cap Code	50	100	200	50	100	200	50	100	200	50	100	200	50	100	200		
		1000pF	102															
1200	122																	
1500	152																	
1800	182																	
2200	222																	
2700	272																	
3300	332																	
3900	392																	
4700	472																	
5600	562																	
6800	682																	
8200	822																	
.010 uF	103																	
0.012	123																	
0.015	153																	
0.018	183																	
0.022	223																	
0.027	273																	
0.033	333																	
0.039	393																	
0.047	473																	
0.056	563																	
0.068	683																	
0.082	823																	
0.10	104																	
0.12	124																	
0.15	154																	
0.18	184																	
0.22	224																	
0.27	274																	
0.33	334																	
0.39	394																	
0.47	474																	
0.56	564																	
0.68	684																	
0.82	824																	
1.0	105																	
1.2	125																	
1.5	155																	
1.8	185																	
2.2	225																	
2.7	275																	
3.3	335																	
3.9	395																	
4.7	475																	
5.6	565																	

High Temperature (+200°C) Axial and Radial Ceramic Capacitors HT/HP Series

COG & X7R DIELECTRIC

COG AXIAL																
STYLE		HT/HP 11			HT/HP 13			HT/HP 14			HT/HP 15			HT/HP 16		
Cap	L MAX	.170 (4.32)			.260 (6.60)			.400 (10.16)			.500 (12.70)			.750 (19.05)		
	D MAX	.100 (2.54)			.135 (3.43)			.155 (3.94)			.200 (5.08)			.375 (9.52)		
	Lead Dia.	.025 (.635)			.025 (.635)			.025 (.635)			.025 (.635)			.025 (.635)		
	Cap Code	WVDC			WVDC			WVDC			WVDC			WVDC		
		50	100	200	50	100	200	50	100	200	50	100	200	50	100	200
5.6pF	569															
6.8	689															
8.2	829															
10	100															
12	120															
15	150															
18	180															
22	220															
27	270															
33	330															
39	390															
47	470															
56	560															
68	680															
82	820															
100	101															
120	121															
150	151															
180	181															
220	221															
270	271															
330	331															
390	391															
470	471															
560	561															
680	681															
820	821															
1000	102															
1200	122															
1500	152															
1800	182															
2200	222															
2700	272															
3300	332															
3900	392															
4700	472															
5600	562															
6800	682															
8200	822															
.010 uF	103															
0.012	123															
0.015	153															
0.018	183															
0.022	223															
0.027	273															
0.033	333															
0.039	393															
0.047	473															
0.056	563															
0.068	683															
0.082	823															
0.10	104															

X7R AXIAL																
STYLE		HT/HP 11			HT/HP 13			HT/HP 14			HT/HP 15			HT/HP 16		
Cap	L MAX	.170 (4.32)			.260 (6.60)			.400 (10.16)			.500 (12.70)			.750 (19.05)		
	D MAX	.100 (2.54)			.135 (3.43)			.155 (3.94)			.200 (5.08)			.375 (9.52)		
	Lead Dia.	.025 (.635)			.025 (.635)			.025 (.635)			.025 (.635)			.025 (.635)		
	Cap Code	WVDC			WVDC			WVDC			WVDC			WVDC		
		50	100	200	50	100	200	50	100	200	50	100	200	50	100	200
100pF	101															
120	121															
150	151															
180	181															
220	221															
270	271															
330	331															
390	391															
470	471															
560	561															
680	681															
820	821															
1000	102															
1200	122															
1500	152															
1800	182															
2200	222															
2700	272															
3300	332															
3900	392															
4700	472															
5600	562															
6800	682															
8200	822															
.010uF	103															
0.012	123															
0.015	153															
0.018	183															
0.022	223															
0.027	273															
0.033	333															
0.039	393															
0.047	473															
0.056	563															
0.068	683															
0.082	823															
0.1	104															
0.12	124															
0.15	154															
0.18	184															
0.22	224															
0.27	274															
0.33	334															
0.39	394															
0.47	474															
0.56	564															
0.68	684															
0.82	824															
1.0	105															
1.2	125															
1.5	155															
1.8	185															
2.2	225															
2.7	275															

FEATURES

The HV series not only withstands high temperatures (200°C), but also offers high voltage (500-4000 VDC)

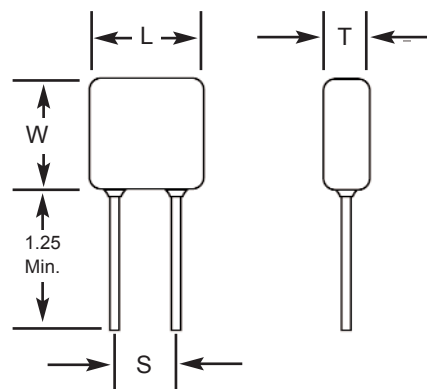
To be used in robust applications

- Down Hole
- Industrial
- Harsh Environments

NOTE:

Other tolerances, higher capacitance values, voltages, or special package configurations are available upon request.

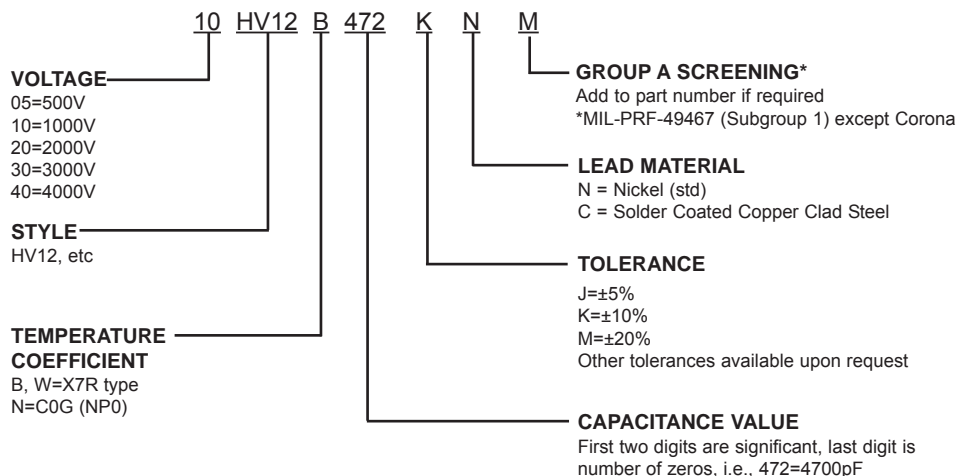
CAPACITOR OUTLINE DRAWING



DIMENSIONS

Style	Sizes in Inches (mm) max.			Lead Spacing ±0.030 (S)
	Length (L)	Width (W)	Thickness (T)	
HV10	.250 (6.35)	.220 (5.59)	.150 (3.81)	.170 (4.32)
HV11	.320 (8.13)	.300 (7.62)	.250 (6.35)	.200 (5.08)
HV12	.420 (10.67)	.400 (10.16)	.250 (6.35)	.300 (7.62)
HV13	.520 (13.21)	.500 (12.70)	.300 (7.62)	.400 (10.16)
HV14	.620 (15.75)	.500 (12.70)	.300 (7.62)	.500 (12.70)
HV15	.720 (18.29)	.700 (17.78)	.300 (7.62)	.600 (15.24)
HV16	.820 (20.83)	.700 (17.78)	.350 (8.89)	.700 (17.78)

PART NUMBER AND ORDERING INFORMATION



MARKING

(HV10, HV11)
472M
KEC
Date Code

(All other sizes)
HV12B472M
1kV
KEC
Date Code

High Temperature (+200°C), High Voltage Radial Ceramic Capacitors HV Series

COG DIELECTRIC

STYLE		HV10			HV11				HV12				HV13				HV14					HV15					HV16				
Cap	L MAX	.250 (6.35)			.320 (8.13)				.420 (10.67)				.520 (13.21)				.620 (15.75)					.720 (18.29)					.820 (20.83)				
	W MAX	.220 (5.59)			.300 (7.62)				.400 (10.16)				.500 (12.70)				.500 (12.70)					.700 (17.78)					.700 (17.78)				
	T MAX	.150 (3.81)			.250 (6.35)				.250 (6.35)				.300 (7.62)				.300 (7.62)					.300 (7.62)					.350 (8.89)				
	S ± .030	.170 (4.32)			.200 (5.08)				.300 (7.62)				.400 (10.16)				.500 (12.70)					.600 (15.24)					.700 (17.78)				
	Lead Dia. +0.004/-0.002	.025 (.635)			.025 (.635)				.025 (.635)				.025 (.635)				.025 (.635)					.025 (.635)					.025 (.635)				
	Cap Code	WVDC			WVDC				WVDC				WVDC				WVDC					WVDC					WVDC				
	500	1k	2k	500	1k	2k	3k	500	1k	2k	3k	500	1k	2k	3k	500	1k	2k	3k	4k	500	1k	2k	3k	4k	500	1k	2k	3k	4k	
12pF	120																														
15	150																														
18	180																														
22	220																														
27	270																														
33	330																														
39	390																														
47	470																														
56	560																														
68	680																														
82	820																														
100	101																														
120	121																														
150	151																														
180	181																														
220	221																														
270	271																														
330	331																														
390	391																														
470	471																														
560	561																														
680	681																														
820	821																														
1000	102																														
1200	122																														
1500	152																														
1800	182																														
2200	222																														
2700	272																														
3300	332																														
3900	392																														
4700	472																														
5600	562																														
6800	682																														
8200	822																														
0.01uF	103																														
0.012	123																														
0.015	153																														

X7R DIELECTRIC

STYLE		HV10			HV11			HV12			HV13				HV14				HV15				HV16						
Cap	L MAX	.250 (6.35)			.320 (8.13)			.420 (10.67)			.520 (13.21)				.620 (15.75)				.720 (18.29)				.820 (20.83)						
	W MAX	.220 (5.59)			.300 (7.62)			.400 (10.16)			.500 (12.70)				.500 (12.70)				.700 (17.78)				.700 (17.78)						
	T MAX	.150 (3.81)			.250 (6.35)			.250 (6.35)			.300 (7.62)				.300 (7.62)				.300 (7.62)				.350 (8.89)						
	S± .030	.170 (4.32)			.200 (5.08)			.300 (7.62)			.400 (10.16)				.500 (12.70)				.600 (15.24)				.700 (17.78)						
	Lead Dia. +0.004/-0.002	.025 (.635)			.025 (.635)			.025 (.635)			.025 (.635)				.025 (.635)				.025 (.635)				.025 (.635)						
	Cap Code	WVDC			WVDC			WVDC			WVDC				WVDC				WVDC				WVDC						
		500	1k	2k	500	1k	2k	500	1k	2k	500	1k	2k	3k	500	1k	2k	3k	4k	500	1k	2k	3k	4k	500	1k	2k	3k	4k
270pF	271																												
330	331																												
390	391																												
470	471																												
560	561																												
680	681																												
820	821																												
1000	102																												
1200	122																												
1500	152																												
1800	182																												
2200	222																												
2700	272																												
3300	332																												
3900	392																												
4700	472																												
5600	562																												
6800	682																												
8200	822																												
0.01uF	103																												
0.012	123																												
0.015	153																												
0.018	183																												
0.022	223																												
0.027	273																												
0.033	333																												
0.039	393																												
0.047	473																												
0.056	563																												
0.068	683																												
0.082	823																												
0.10	104																												
0.12	124																												
0.15	154																												
0.18	184																												
0.22	224																												
0.27	274																												
0.33	334																												
0.39	394																												
0.47	474																												

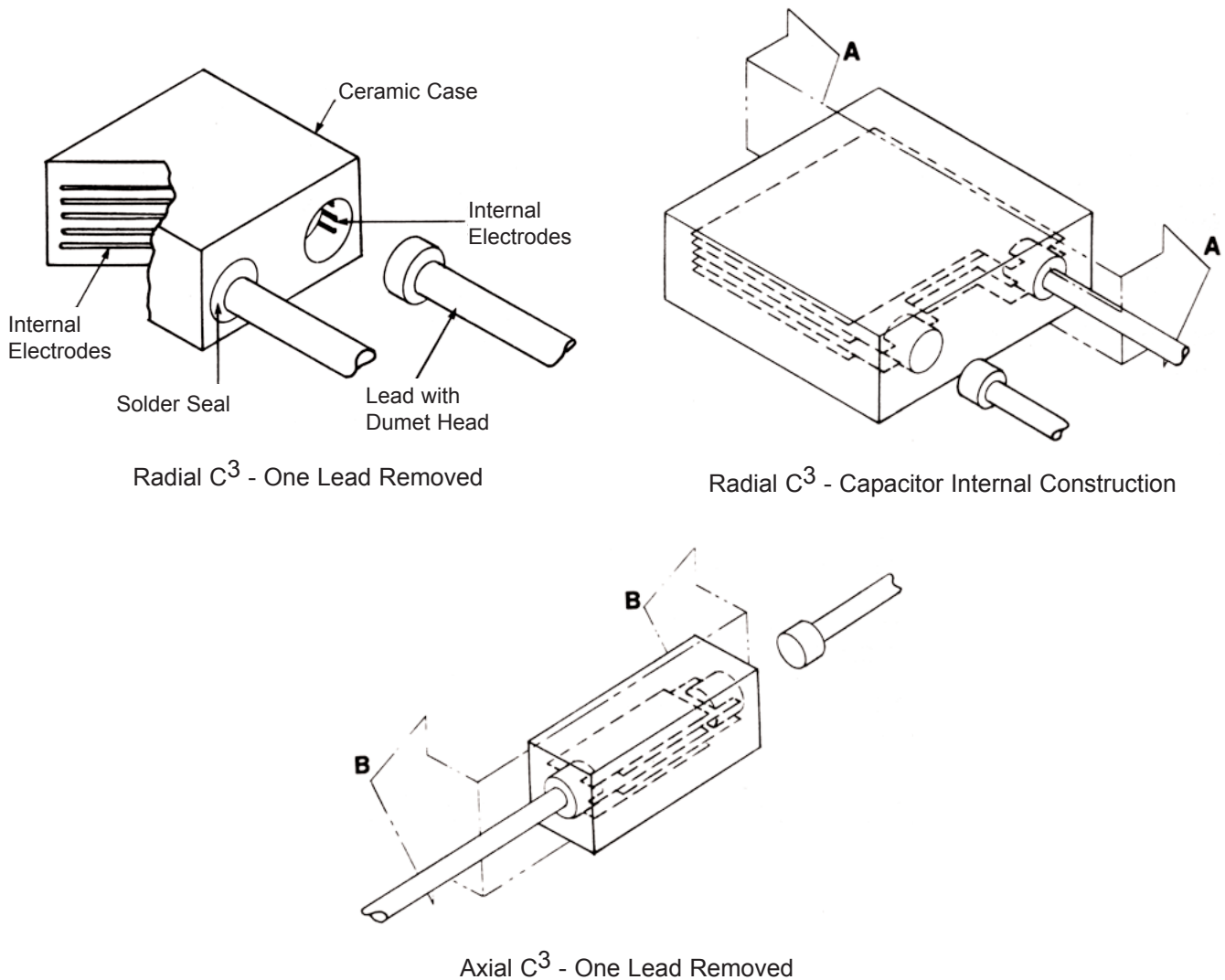
High Temperature Ceramic Cased Capacitors C³

C3 GENERAL INFORMATION

Monolithic ceramic capacitors are capable of withstanding and operating at temperatures up to +260°C when properly designed and manufactured for this application. A design has been developed which is ideal for operation at these high temperatures. This design is a Ceramic Cased Capacitor (C³) as described in PATENT #4,931,899.

The advantages of the C³ construction at 125°C, 200°C and 260°C are:

- Uniform coefficient of linear expansion eliminates chip cracking during thermal shock.
- No "pull-away" of epoxy potting from epoxy case at elevated temperatures.
- Resistant to moisture penetration.
- Superior volumetric efficiency



COG

COG (NP0) capacitors which exhibit little change in capacitance with variations in temperature, are used in RF oscillators, precision timing circuits, wave filters and other circuits requiring a predictable linear temperature coefficient.

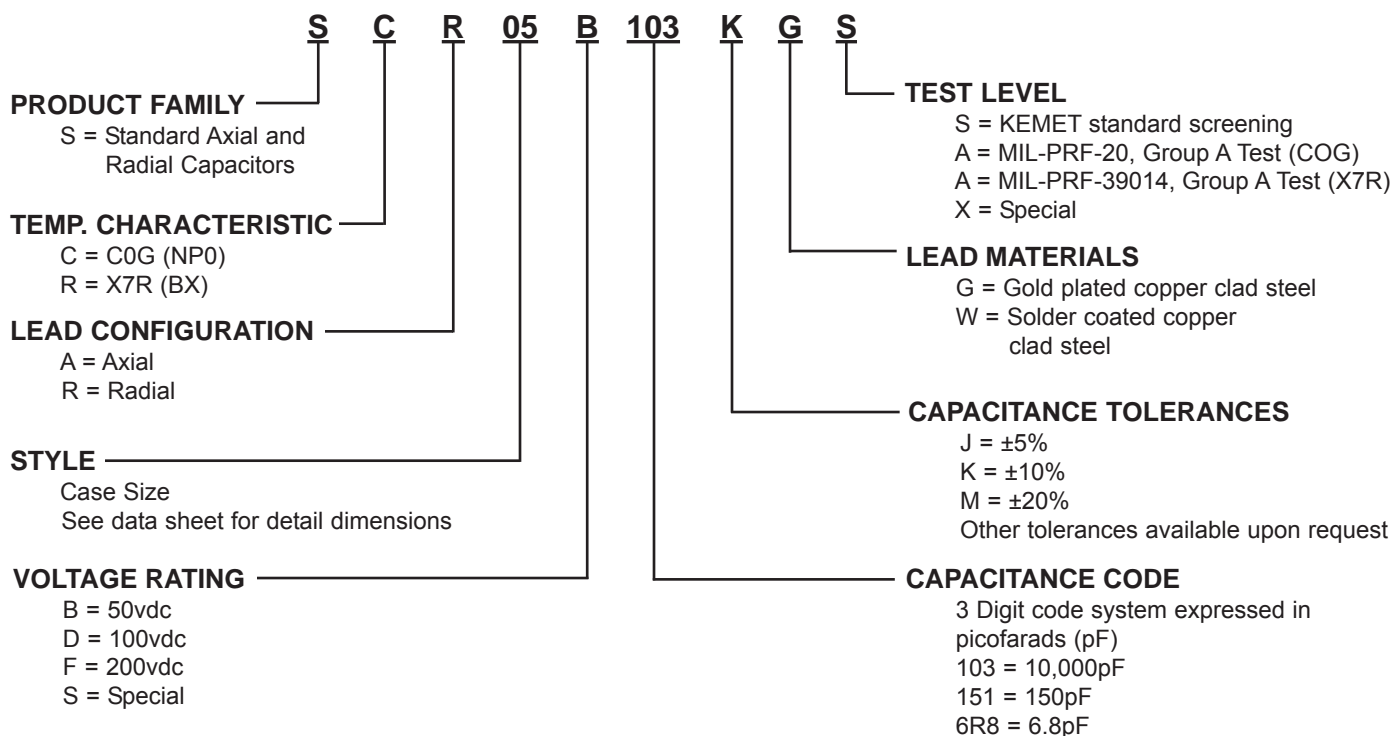
X7R

BX and X7R capacitors are used in coupling circuits (IF and RF); for bypassing and decoupling in computers and stereo systems; power supply line filtering and frequency discrimination.

INSTALLATION:

Parts should be soldered using a heat sink between the soldering point and the part using a soldering iron rated between 18-30 watts. Soldering temperature should not exceed +300°C. For wave soldering, the parts should be slowly heated to +150°C and, after soldering, be allowed to cool down slowly to +90°C to preclude thermal shocking of the parts.

PART NUMBER AND ORDERING INFORMATION



MARKING

Manufacturer's ID	KEC
Capacitance	106J
Voltage	50V
Date Code	123

Note: Solderability testing is not required for gold leaded parts.

High Temperature Standard (+200°C) Axial and Radial Ceramic Cased Capacitors (C³) ACR/ARR/ACA/ARA Series

High temperature ceramic cased capacitors, with a new, unique design concept, are ideally suited for continuous operation up to +200°C. Problems associated with epoxy cased/epoxy potted capacitors, such as material deterioration, cracks in cases and potted areas, are nonexistent, even at +200°C.

COG

COG (NPO) capacitors, which exhibit little change in capacitance with variations in temperature, are used in RF oscillators, precision timing circuits, wave filters, and other circuits requiring a predictable linear temperature coefficient.

X7R

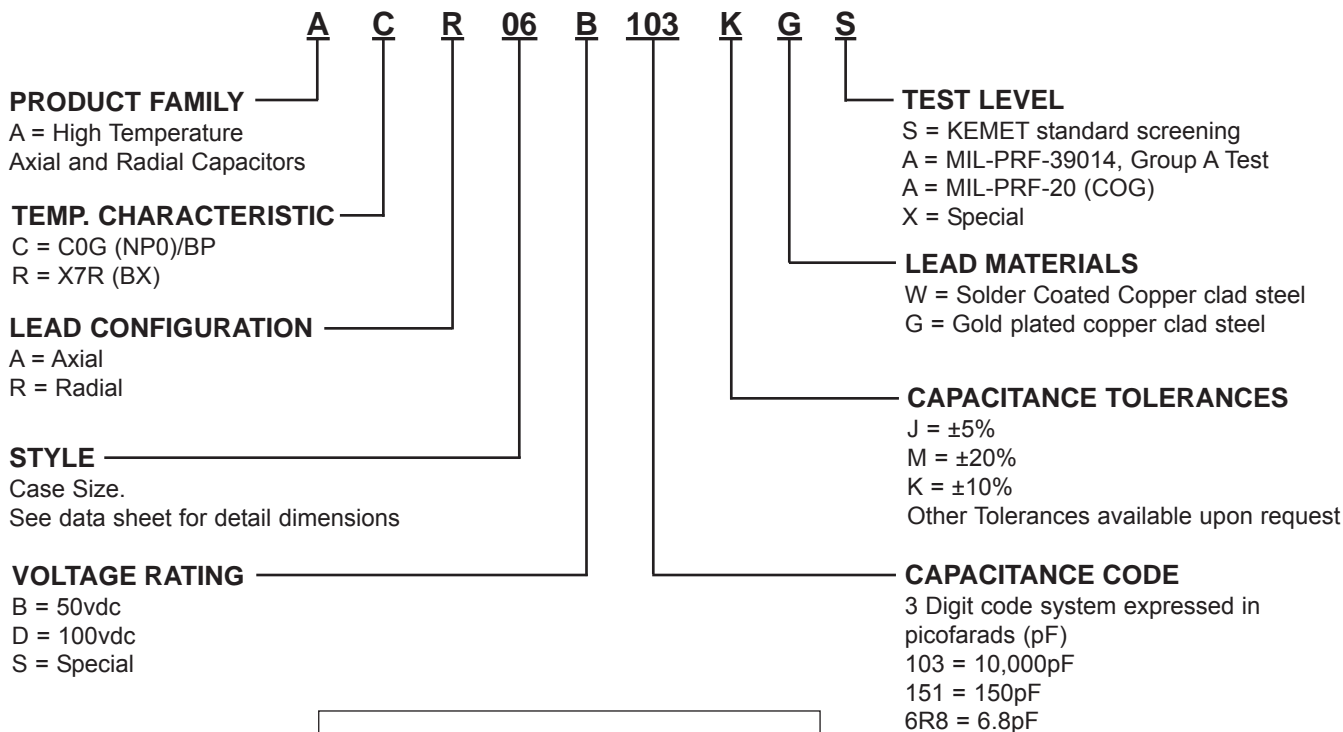
Specially formulated X7R ceramic materials result in a retention of 40% of the +25°C capacitance. Dissipation factor drops from 1.25% at +25°C to 0.1% at +200°C. At +120°C the ceramic undergoes a transformation (crystalline inversion) resulting in the material changing from ferroelectric to paraelectric - no piezoelectric behavior.

Typical applications include oil well logging (down hole), jet engine controls and geophysical pressure probes.

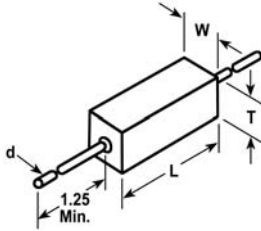
INSTALLATION:

Parts should be soldered using a heat sink between the soldering point and the part using a soldering iron rated between 18-30 watts. Soldering temperature should not exceed +300°C.

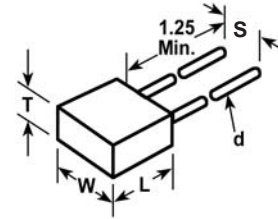
PART NUMBER AND ORDERING INFORMATION



AXIAL
All Dimensions
in Inches (mm)



RADIAL
All Dimensions
in Inches (mm)



COG DIELECTRIC

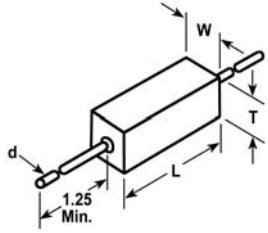
		AXIAL					RADIAL				
STYLE		16	25	39	50	69	05	06	07	08	09
Cap	L _{MAX}	.170 (4.32)	.270 (6.86)	.400 (10.16)	.520 (13.21)	.720 (18.29)	.200 (5.08)	.300 (7.62)	.300 (7.62)	.500 (12.70)	.500 (12.70)
	W _{MAX}	.080 (2.03)	.100 (2.54)	.150 (3.81)	.265 (6.73)	.370 (9.40)	.200 (5.08)	.300 (7.62)	.300 (7.62)	.500 (12.70)	.500 (12.70)
	T _{MAX}	.080 (2.03)	.100 (2.54)	.150 (3.81)	.160 (4.06)	.160 (4.06)	.100 (2.54)	.100 (2.54)	.150 (3.81)	.100 (2.54)	.150 (3.81)
	s	---	---	---	---	---	.200 ± .015 (5.08 ± .38)	.200 ± .015 (5.08 ± .38)	.200 ± .015 (5.08 ± .38)	.400 ± .015 (10.16 ± .38)	.400 ± .015 (10.16 ± .38)
	d	.020 ± .002 (.508 ± .051)	.020 ± .002 (.508 ± .051)	.025 ± .002 (.635 ± .051)	.025 ± .002 (.635 ± .051)	.025 ± .002 (.635 ± .051)	.020 ± .002 (.508 ± .051)	.020 ± .002 (.508 ± .051)	.020 ± .002 (.508 ± .051)	.025 ± .002 (.635 ± .051)	.025 ± .002 (.635 ± .051)
	Cap Code		WVDC 50 100	WVDC 50 100	WVDC 50 100	WVDC 50 100	WVDC 50 100	WVDC 50 100	WVDC 50 100	WVDC 50 100	WVDC 50 100
5.6pF	569										
6.8	689										
8.2	829										
10	100										
12	120										
15	150										
18	180										
22	220										
27	270										
33	330										
39	390										
47	470										
56	560										
68	680										
82	820										
100	101										
120	121										
150	151										
180	181										
220	221										
270	271										
330	331										
390	391										
470	471										
560	561										
680	681										
820	821										
1000	102										
1200	122										
1500	152										
1800	182										
2200	222										
2700	272										
3300	332										
3900	392										
4700	472										
5600	562										
6800	682										
8200	822										
0.01 μF	103										
0.012	123										
0.015	153										
0.018	183										
0.022	223										
0.027	273										
0.033	333										
0.039	393										
0.047	473										
0.056	563										
0.068	683										
0.082	823										
0.10	104										
0.12	124										
0.15	154										

High Temperature Standard (+200°C) Axial and Radial Ceramic Cased Capacitors (C³)

ARR/ARA Series

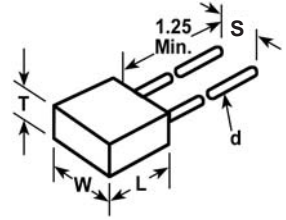
AXIAL

All Dimensions
in Inches (mm)



RADIAL

All Dimensions
in Inches (mm)



X7R DIELECTRIC

		AXIAL										RADIAL									
STYLE	Cap Code	16		25		39		50		69		05		06		07		08		09	
		50	100	50	100	50	100	50	100	50	100	50	100	50	100	50	100	50	100	50	100
L MAX																					
W MAX																					
T MAX																					
s																					
d																					
Cap Code																					
100pF	101																				
	121																				
150	151																				
	181																				
220	221																				
	271																				
330	331																				
	391																				
470	471																				
	561																				
680	681																				
	821																				
1000	102																				
	122																				
1500	152																				
	182																				
2200	222																				
	272																				
3300	332																				
	392																				
4700	472																				
	562																				
6800	682																				
	822																				
0.01 μF	103																				
	123																				
0.015	153																				
	183																				
0.022	223																				
	273																				
0.033	333																				
	393																				
0.047	473																				
	563																				
0.068	683																				
	823																				
0.10	104																				
	124																				
0.15	154																				
	184																				
0.22	224																				
	274																				
0.33	334																				
	394																				
0.47	474																				
	564																				
0.68	684																				
	824																				
1.0	105																				
	125																				
1.5	155																				
	185																				
2.2	225																				
	275																				
3.3	335																				
	395																				

High temperature ceramic cased capacitors, with a new, unique design concept, are ideally suited for continuous operation up to +260°C. Problems associated with epoxy cased/epoxy potted capacitors, such as material deterioration, cracks in cases and potted areas, are nonexistent, even at +260°C.

COG

COG (NP0) capacitors, which exhibit little change in capacitance with variations in temperature, are used in RF oscillators, precision timing circuits, wave filters, and other circuits requiring a predictable linear temperature coefficient.

X7R

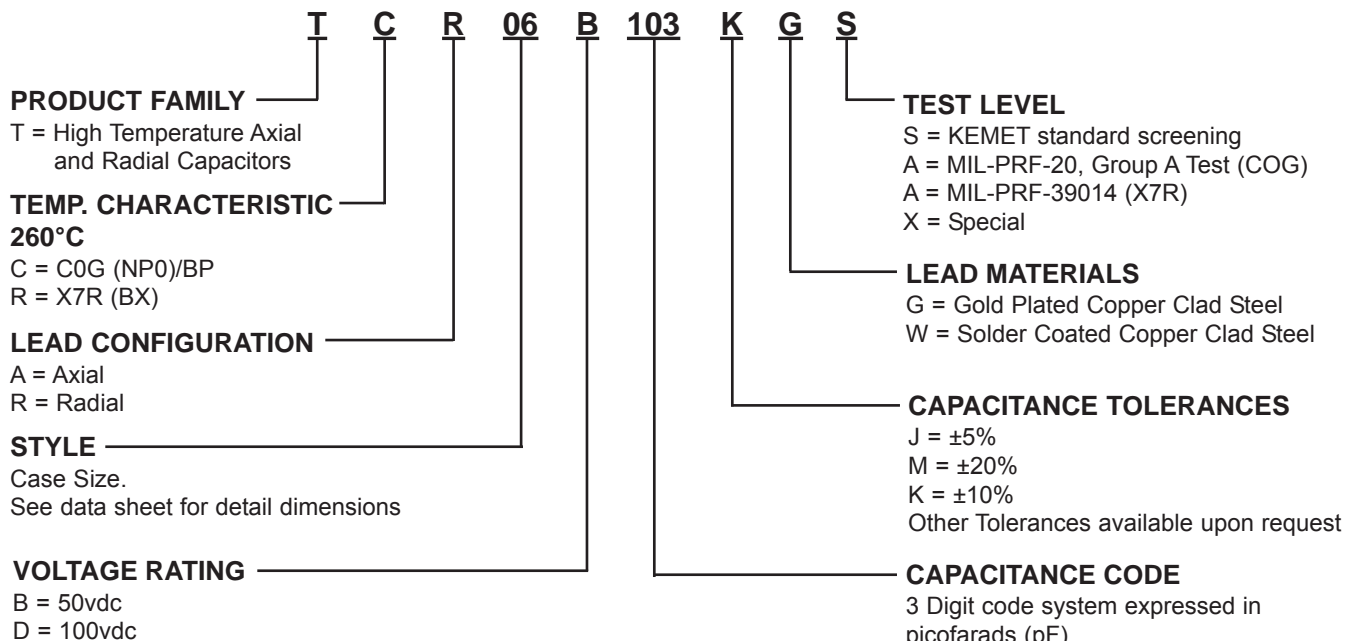
Conventional X7R materials lose up to 75% of the +25°C capacitance. Dissipation factor drops from 1.25% at +25°C to 0.2% at +260°C. At +120°C the ceramic undergoes a transformation (crystalline inversion) resulting in the material changing from ferroelectric to paraelectric - no piezoelectric behavior.

Typical applications include oil well logging (down hole), jet engine controls and geophysical pressure probes.

INSTALLATION:

Parts should be soldered using a heat sink between the soldering point and the part using a soldering iron rated 18-30 watts. Remove all traces of flux or other contamination resulting from the soldering operation. An intermittent conducting path between the leads, at high voltage, could cause breakdown. Soldering temperature should not exceed +300°C.

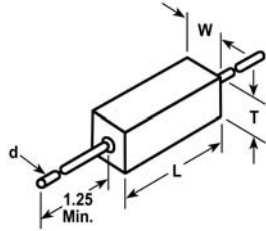
PART NUMBER AND ORDERING INFORMATION



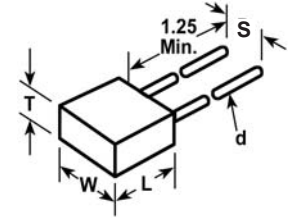
MARKING	EXAMPLE
Manufacturer's ID	KEC
Capacitance	106J
Voltage	50V
Date Code	123
Red dot = +260°C	•

High Temperature (+260°C) Axial and Radial Ceramic Cased Capacitors (C³) TCR/TCA Series

AXIAL
All Dimensions
in Inches (mm)



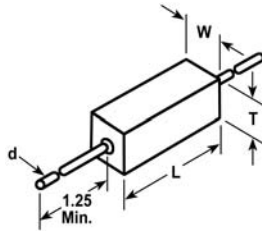
RADIAL
All Dimensions
in Inches (mm)



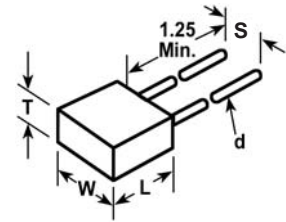
COG DIELECTRIC

		AXIAL										RADIAL										
STYLE		16		25		39		50		69		05		06		07		08		09		
Cap	L _{MAX}	.170 (4.32)	.270 (6.86)	.400 (10.16)	.520 (13.21)	.720 (18.29)	.200 (5.08)	.300 (7.62)	.300 (7.62)	.500 (12.70)	.500 (12.70)	.200 (5.08)	.300 (7.62)	.300 (7.62)	.500 (12.70)	.500 (12.70)	.200 (5.08)	.300 (7.62)	.300 (7.62)	.500 (12.70)	.500 (12.70)	
	W _{MAX}	.080 (2.03)	.100 (2.54)	.150 (3.81)	.265 (6.73)	.370 (9.40)	.200 (5.08)	.300 (7.62)	.300 (7.62)	.500 (12.70)	.500 (12.70)	.200 (5.08)	.300 (7.62)	.300 (7.62)	.500 (12.70)	.500 (12.70)	.200 (5.08)	.300 (7.62)	.300 (7.62)	.500 (12.70)	.500 (12.70)	
	T _{MAX}	.080 (2.03)	.100 (2.54)	.150 (3.81)	.160 (4.06)	.160 (4.06)	.100 (2.54)	.100 (2.54)	.150 (3.81)	.100 (2.54)	.150 (3.81)	.100 (2.54)	.100 (2.54)	.150 (3.81)	.100 (2.54)	.150 (3.81)	.100 (2.54)	.100 (2.54)	.150 (3.81)	.100 (2.54)	.150 (3.81)	
	s	---	---	---	---	---	.200 ± .015 (5.08 ± .38)	.200 ± .015 (5.08 ± .38)	.200 ± .015 (5.08 ± .38)	.400 ± .015 (10.16 ± .38)	.400 ± .015 (10.16 ± .38)	.200 ± .015 (5.08 ± .38)	.200 ± .015 (5.08 ± .38)	.200 ± .015 (5.08 ± .38)	.400 ± .015 (10.16 ± .38)	.400 ± .015 (10.16 ± .38)	.200 ± .015 (5.08 ± .38)	.200 ± .015 (5.08 ± .38)	.200 ± .015 (5.08 ± .38)	.400 ± .015 (10.16 ± .38)	.400 ± .015 (10.16 ± .38)	
	d	.020 ± .002 (.508 ± .051)	.020 ± .002 (.508 ± .051)	.025 ± .002 (.635 ± .051)	.025 ± .002 (.635 ± .051)	.025 ± .002 (.635 ± .051)	.020 ± .002 (.508 ± .051)	.020 ± .002 (.508 ± .051)	.020 ± .002 (.508 ± .051)	.025 ± .002 (.635 ± .051)	.025 ± .002 (.635 ± .051)	.020 ± .002 (.508 ± .051)	.020 ± .002 (.508 ± .051)	.020 ± .002 (.508 ± .051)	.020 ± .002 (.508 ± .051)	.025 ± .002 (.635 ± .051)	.025 ± .002 (.635 ± .051)	.020 ± .002 (.508 ± .051)	.020 ± .002 (.508 ± .051)	.020 ± .002 (.508 ± .051)	.025 ± .002 (.635 ± .051)	.025 ± .002 (.635 ± .051)
	Cap Code		WVDC		WVDC		WVDC		WVDC		WVDC		WVDC		WVDC		WVDC		WVDC		WVDC	
		50	100	50	100	50	100	50	100	50	100	50	100	50	100	50	100	50	100	50	100	
5.6pF	569																					
6.8	689																					
8.2	829																					
10	100																					
12	120																					
15	150																					
18	180																					
22	220																					
27	270																					
33	330																					
39	390																					
47	470																					
56	560																					
68	680																					
82	820																					
100	101																					
120	121																					
150	151																					
180	181																					
220	221																					
270	271																					
330	331																					
390	391																					
470	471																					
560	561																					
680	681																					
820	821																					
1000	102																					
1200	122																					
1500	152																					
1800	182																					
2200	222																					
2700	272																					
3300	332																					
3900	392																					
4700	472																					
5600	562																					
6800	682																					
8200	822																					
0.01 μF	103																					
0.012	123																					
0.015	153																					
0.018	183																					
0.022	223																					
0.027	273																					
0.033	333																					
0.039	393																					
0.047	473																					
0.056	563																					
0.068	683																					
0.082	823																					
0.10	104																					
0.12	124																					
0.15	154																					

AXIAL
All Dimensions
in Inches (mm)



RADIAL
All Dimensions
in Inches (mm)



X7R DIELECTRIC

		AXIAL										RADIAL									
STYLE		16		25		39		50		69		05		06		07		08		09	
Cap	L _{MAX}	.170 (4.32)		.270 (6.86)		.400 (10.16)		.520 (13.21)		.720 (18.29)		.200 (5.08)		.300 (7.62)		.300 (7.62)		.500 (12.70)		.500 (12.70)	
	W _{MAX}	.080 (2.03)		.100 (2.54)		.150 (3.81)		.265 (6.73)		.370 (9.40)		.200 (5.08)		.300 (7.62)		.300 (7.62)		.500 (12.70)		.500 (12.70)	
	T _{MAX}	.080 (2.03)		.100 (2.54)		.150 (3.81)		.160 (4.06)		.160 (4.06)		.100 (2.54)		.100 (2.54)		.150 (3.81)		.100 (2.54)		.150 (3.81)	
	S	---		---		---		---		---		.200 ± .015 (5.08 ± .38)		.200 ± .015 (5.08 ± .38)		.200 ± .015 (5.08 ± .38)		.400 ± .015 (10.16 ± .38)		.400 ± .015 (10.16 ± .38)	
	d	.020 ± .002 (.508 ± .051)		.020 ± .002 (.508 ± .051)		.025 ± .002 (.635 ± .051)		.025 ± .002 (.635 ± .051)		.025 ± .002 (.635 ± .051)		.020 ± .002 (.508 ± .051)		.020 ± .002 (.508 ± .051)		.020 ± .002 (.508 ± .051)		.025 ± .002 (.635 ± .051)		.025 ± .002 (.635 ± .051)	
	Cap Code	WVDC		WVDC		WVDC		WVDC		WVDC		WVDC		WVDC		WVDC		WVDC		WVDC	
		50	100	50	100	50	100	50	100	50	100	50	100	50	100	50	100	50	100	50	100
100pF	101																				
120	121																				
150	151																				
180	181																				
220	221																				
270	271																				
330	331																				
390	391																				
470	471																				
560	561																				
680	681																				
820	821																				
1000	102																				
1200	122																				
1500	152																				
1800	182																				
2200	222																				
2700	272																				
3300	332																				
3900	392																				
4700	472																				
5600	562																				
6800	682																				
8200	822																				
0.01 μF	103																				
0.012	123																				
0.015	153																				
0.018	183																				
0.022	223																				
0.027	273																				
0.033	333																				
0.039	393																				
0.047	473																				
0.056	563																				
0.068	683																				
0.082	823																				
0.10	104																				
0.12	124																				
0.15	154																				
0.18	184																				
0.22	224																				
0.27	274																				
0.33	334																				
0.39	394																				
0.47	474																				
0.56	564																				
0.68	684																				
0.82	824																				
1.0	105																				
1.2	125																				
1.5	155																				
1.8	185																				
2.0	205																				
2.2	225																				
2.7	275																				
3.3	335																				
3.9	395																				

High Temperature (+200°C), High Voltage Radial Ceramic Cased Capacitors (C³)

VCR/VRR Series

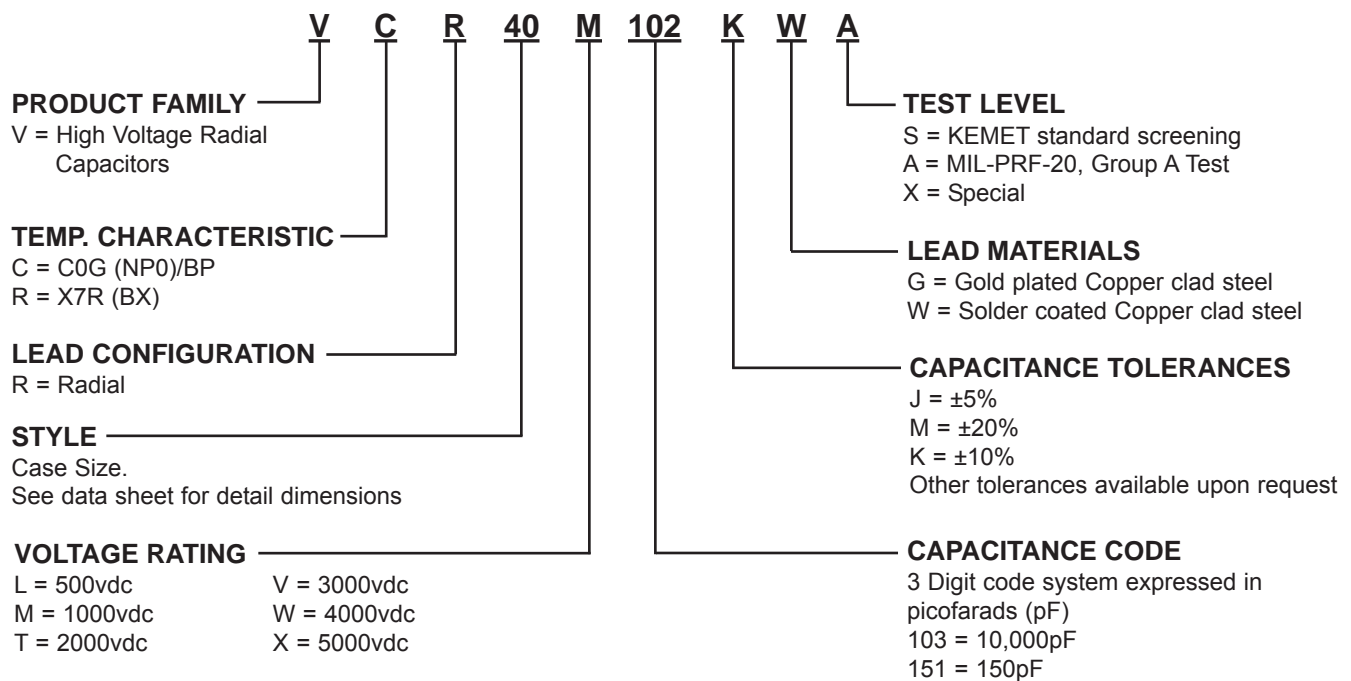
Ceramic cased capacitors, with a new, unique design concept which eliminates potential problems associated with conventional epoxy cased epoxy potted capacitors.

Major application is high voltage power supplies. High voltage capacitors are also utilized on high voltage meter multiplier and RF circuits.

INSTALLATION:

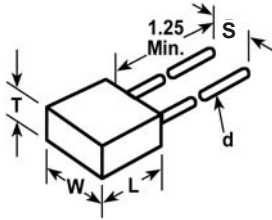
Parts should be soldered using a heat sink between the soldering point and the part using a soldering iron rated 18-30 watts. Remove all traces of flux or other contamination resulting from the soldering operation. An intermittent conducting path between the leads, at high voltage, could cause breakdown. Soldering temperature should not exceed +300°C.

PART NUMBER AND ORDERING INFORMATION



MARKING	EXAMPLE
Manufacturer's ID	KEC
Capacitance	106J
Voltage	500V
Date Code	123

RADIAL
All Dimensions
in Inches (mm)



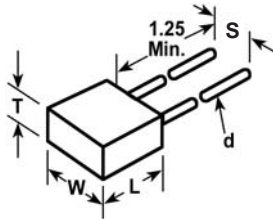
C0G DIELECTRIC

STYLE		07	40	50	60	70	80																				
L _{MAX}		.300 (7.62)	.350 (8.89)	.450 (11.43)	.550 (13.97)	.650 (16.51)	.750 (19.05)																				
W _{MAX}		.300 (7.62)	.400 (10.16)	.500 (12.70)	.600 (15.24)	.700 (17.78)	.800 (20.32)																				
T _{MAX}		.150 (3.81)	.275 (6.98)	.300 (7.62)	.375 (9.52)	.375 (9.52)	.375 (9.52)																				
S		.200 ± .015 (5.08 ± .38)	.300 ± .015 (7.62 ± .38)	.400 ± .015 (10.16 ± .38)	.500 ± .015 (12.70 ± .38)	.600 ± .015 (15.24 ± .38)	.600 ± .015 (15.24 ± .38)																				
d		.025 ± .002 (.635 ± .051)	.032 ± .004 (.813 ± .102)	.032 ± .004 (.813 ± .102)	.032 ± .004 (.813 ± .102)	.032 ± .004 (.813 ± .102)	.032 ± .004 (.813 ± .102)																				
Cap	Cap Code	WVDC		WVDC					WVDC					WVDC					WVDC								
		500	1k	2k	500	1k	2k	3k	4k	500	1k	2k	3k	4k	5k	500	1k	2k	3k	4k	5k	500	1k	2k	3k	4k	5k
10 pF	100																										
12	120																										
15	150																										
18	180																										
22	220																										
27	270																										
33	330																										
39	390																										
47	470																										
56	560																										
68	680																										
82	820																										
100	101																										
120	121																										
150	151																										
180	181																										
220	221																										
270	271																										
330	331																										
390	391																										
470	471																										
560	561																										
680	681																										
820	821																										
1000	102																										
1200	122																										
1500	152																										
1800	182																										
2200	222																										
2700	272																										
3300	332																										
3900	392																										
4700	472																										
5600	562																										
6800	682																										
8200	822																										
0.01 μF	103																										
0.012	123																										
0.015	153																										
0.018	183																										
0.022	223																										
0.027	273																										
0.033	333																										
0.039	393																										
0.047	473																										
0.056	563																										

High Temperature (+200°C), High Voltage Axial and Radial Ceramic Cased Capacitors (C³)

VRR Series

RADIAL
All Dimensions
in Inches (mm)



X7R DIELECTRIC

STYLE		07			40					50					60					70					80						
L _{MAX}		.300 (7.62)			.350 (8.89)					.450 (11.43)					.550 (13.97)					.650 (16.51)					.750 (19.05)						
W _{MAX}		.300 (7.62)			.400 (10.16)					.500 (12.70)					.600 (15.24)					.700 (17.78)					.800 (20.32)						
T _{MAX}		.150 (3.81)			.275 (6.98)					.300 (7.62)					.375 (9.52)					.375 (9.52)					.375 (9.52)						
S		.200 ± .015 (5.08 ± .38)			.300 ± .015 (7.62 ± .38)					.400 ± .015 (10.16 ± .38)					.500 ± .015 (12.70 ± .38)					.600 ± .015 (15.24 ± .38)					.600 ± .015 (15.24 ± .38)						
d		.025 ± .002 (.635 ± .051)			.032 ± .004 (.813 ± .102)					.032 ± .004 (.813 ± .102)					.032 ± .004 (.813 ± .102)					.032 ± .004 (.813 ± .102)					.032 ± .004 (.813 ± .102)						
Cap	Cap Code	WVDC			WVDC					WVDC					WVDC					WVDC					WVDC						
		500	1k	2k	500	1k	2k	3k	4k	500	1k	2k	3k	4k	5k	500	1k	2k	3k	4k	5k	500	1k	2k	3k	4k	5k	500	1k	2k	3k
330pF	331																														
390	391																														
470	471																														
560	561																														
680	681																														
820	821																														
1000	102																														
1200	122																														
1500	152																														
1800	182																														
2200	222																														
2700	272																														
3300	332																														
3900	392																														
4700	472																														
5600	562																														
6800	682																														
8200	822																														
0.01 µF	103																														
0.012	123																														
0.015	153																														
0.018	183																														
0.022	223																														
0.027	273																														
0.033	333																														
0.039	393																														
0.047	473																														
0.056	563																														
0.068	683																														
0.082	823																														
0.10	104																														
0.12	124																														
0.15	154																														
0.18	184																														
0.22	224																														
0.27	274																														
0.33	334																														
0.39	394																														
0.47	474																														
0.56	564																														
0.68	684																														
0.82	824																														
1.0	105																														
1.2	125																														

World Sales Headquarters

KEMET Electronics Corporation
P.O. Box 5928
Greenville, SC 29606
Phone: 864-963-6300

Europe

KEMET Electronics S.A.
15bis chemin des Mines
1202 Geneva, Switzerland
Phone: 41-22-715-0100

Asia

KEMET Electronics Marketing PTE Ltd.
73 Bukit Timah Road
#05-01 Rex House
Singapore, 229832, Singapore
Phone: 65-6586-1900

KEMET Electronics Asia Ltd.
30 Canton Road, Room 1512
SilverCord Tower II
Tsimshatshui, Kowloon
Hong Kong
Phone: 852-2305-1168