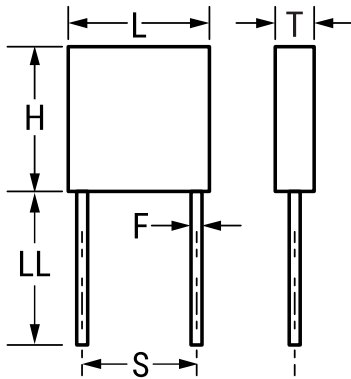


KEMET Part Number: M123A03BXC224KC
(C512Z224K1X5CA)

RAD LDD Mil PRF123, Ceramic, Military/High Reliability, 0.22 uF, 10%, 100 VDC, BX, N/A, Lead Spacing = 10.16mm



Dimensions

Dimension	Value
L	12.19mm +/-0.51mm
H	12.19mm +/-0.51mm
T	3.56mm +/-0.25mm
S	10.16mm +/-0.51mm
LL	31.75mm MIN
F	0.635mm +/-0.051mm

Packaging Specifications

Packaging:	Bulk, Bag
Packaging Quantity:	1

General Information

Supplier:	KEMET
Series:	RAD LDD Mil PRF123
Style:	Radial
RoHS:	No
Prop 65:	WARNING: Cancer and reproductive harm - www.p65warnings.ca.gov
REACH:	SVHC (Pb - CAS 7439-92-1)
Termination:	Lead (SnPb)
Failure Rate:	N/A
Testing and Reliability:	MIL-PRF-123
Qualifications:	MIL-PRF-123
Notes:	Lead Length Shown Is For Parts Supplied In Bulk, See Packaging Specifications For Lead Lengths When Not Provided In Bulk

Specifications

Capacitance:	0.22 uF
Capacitance Tolerance:	10%
Voltage DC:	100 VDC
Dielectric Withstanding Voltage:	250 V
Temperature Range:	-55/+125C
Temperature Coefficient:	BX
Dissipation Factor:	2.5%
Insulation Resistance:	4.5 GOhms