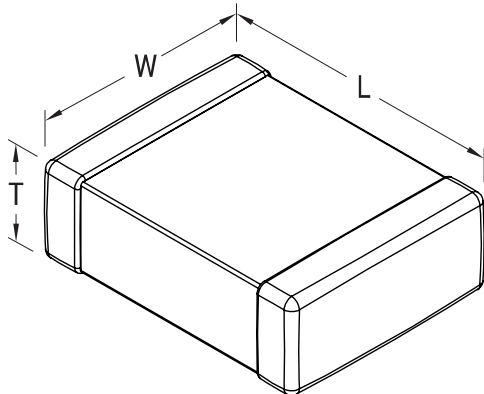


**KEMET Part Number: M123A21BPC681FS**  
(C1206Z681F1GAH)

SMD Mil PRF123, Ceramic, Military/High Reliability, 680 pF, 1%, 100 VDC, BP, SMD Chip, Ultra Stable, N/A, 1206



Dimensions	
L	3.048mm +/-0.381mm (0.12 in +/-0.015 in)
W	1.524mm +/-0.381mm (0.06 in +/-0.015 in)
T	1.651mm MAX (0.065 in MAX)

Packaging Specifications	
Packaging:	Waffle
Packaging Quantity:	25000

General Information	
Supplier:	KEMET
Series:	SMD Mil PRF123
Style:	SMD Chip
Description:	SMD Chip, Ultra Stable
RoHS:	No
Prop 65:	<b>⚠ WARNING:</b> Cancer and reproductive harm - <a href="http://www.p65warnings.ca.gov">www.p65warnings.ca.gov</a> .
REACH:	SVHC (Pb – CAS 7439-92-1)
Termination:	Nickel
Failure Rate:	N/A
Chip Size:	1206
Shelf Life:	78 Weeks
MSL:	1

Specifications	
Capacitance:	680 pF
Capacitance Tolerance:	1%
Voltage DC:	100 VDC
Temperature Range:	-55/+125C
Temperature Coefficient:	BP

Statements of suitability for certain applications are based on our knowledge of typical operating conditions for such applications, but are not intended to constitute - and we specifically disclaim - any warranty concerning suitability for a specific customer application or use. This Information is intended for use only by customers who have the requisite experience and capability to determine the correct products for their application. Any technical advice inferred from this Information or otherwise provided by us with reference to the use of our products is given gratis, and we assume no obligation or liability for the advice given or results obtained.