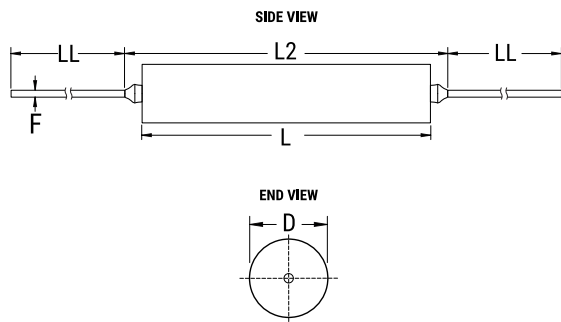



KEMET Part Number: T111A115M020AS
(T111A115M020AS{BULK})

T111, Tantalum, MnO2 Tantalum, Commercial Grade, 1.1 uF, 20%, 20 VDC



Dimensions	
D	4.09mm +0.25/-0.38mm
L	14.61mm +/-0.79mm
L2	19.05mm
LL	38.1mm +/-6.35mm
F	0.51mm +/-0.05mm

Packaging Specifications	
Packaging:	Bulk, Bag
Packaging Quantity:	60

General Information	
Supplier:	KEMET
Series:	T111
Dielectric:	MnO2 Tantalum
Style:	Axial Hermetic
Description:	Axial, Solid Tantalum, Hermetically Sealed, Military (Non-ER), Non-Polar
Features:	BiPolar, Low Leakage, Low DF
RoHS:	No
Prop 65:	 WARNING: Cancer and reproductive harm - www.p65warnings.ca.gov
REACH:	SVHC (Pb – CAS 7439-92-1)
Termination:	Lead (SnPb)
Lead:	Wire Leads
Construction:	Hermetic
Notes:	Dimensions Include Insulation Sleeve. When Supplied On T&R Or Ammo, Lead Length Is Determined By Taping Specification

Specifications	
Capacitance:	1.1 uF
Capacitance Tolerance:	20%
Voltage DC:	20 VDC (85C), 16 VDC (125C Surge), 13 VDC (125C Reverse)
Temperature Range:	-55/+125C
Rated Temperature:	85C
Leakage Current:	0.4 uA (25C)