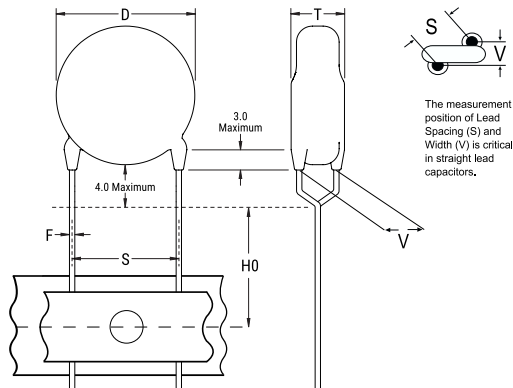


C900AC SFTY X1-440 Y2-300, Ceramic, Safety, 36 pF, 5%, 440 VAC (X1), 300 VAC (Y2), C0G, Lead Spacing = 7.5mm



Dimensions

D	10mm MAX
T	5mm MAX
S	7.5mm +/-1mm
H0	18mm +2/-0mm
F	0.5mm +/-0.1mm

Packaging Specifications

Packaging:	Ammo
Packaging Quantity:	1000

General Information

Supplier:	KEMET
Series:	C900AC SFTY X1-440 Y2-300
Style:	Radial Disc
RoHS:	Yes
Termination:	Tin
Failure Rate:	N/A
Qualifications:	UL, ENEC, VDE, CSA, CAN
Halogen Free:	Yes

Specifications

Capacitance:	36 pF
Capacitance Tolerance:	5%
Voltage AC:	440 VAC (X1), 300 VAC (Y2)
Dielectric Withstanding Voltage:	2,600 V
Temperature Range:	-40/+125C
Temperature Coefficient:	C0G
Insulation Resistance:	10 GOhms
Quality Factor:	1000
Safety Class:	X1/Y2