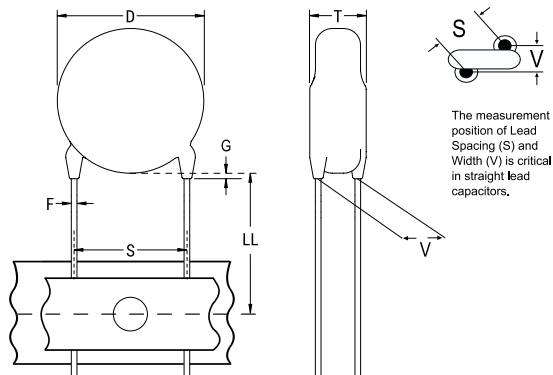


C900AC SFTY X1-440 Y2-300, Ceramic, Safety, 7 pF, +/-0.5 pF, 440 VAC (X1), 300 VAC (Y2), C0G, Lead Spacing = 10mm



General Information	
Supplier:	KEMET
Series:	C900AC SFTY X1-440 Y2-300
Style:	Radial Disc
RoHS:	Yes
Termination:	Tin
Failure Rate:	N/A
Qualifications:	UL, ENEC, VDE, CSA, CAN
Halogen Free:	Yes

Dimensions	
D	7mm MAX
T	5mm MAX
S	10mm +/-1mm
LL	20mm +1.5/-1mm
F	0.5mm +/-0.1mm
G	3mm MAX

Specifications	
Capacitance:	7 pF
Capacitance Tolerance:	+/-0.5 pF
Voltage AC:	440 VAC (X1), 300 VAC (Y2)
Dielectric Withstanding Voltage:	2,600 V
Temperature Range:	-40/+125C
Temperature Coefficient:	C0G
Insulation Resistance:	10 GOhms
Quality Factor:	540
Safety Class:	X1/Y2

Packaging Specifications	
Packaging:	Ammo
Packaging Quantity:	500