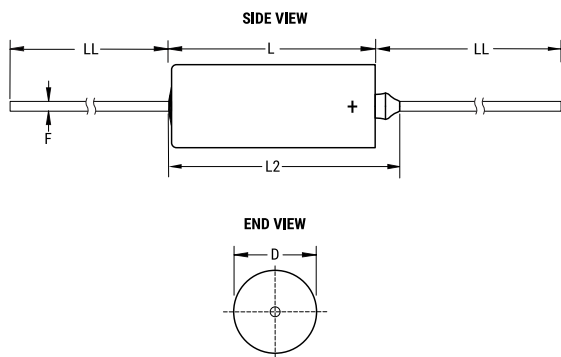


T110, Tantalum, MnO2 Tantalum, Commercial Grade, .047 uF, 20%, 35 VDC



| Dimensions | |
|------------|------------------|
| D | 3.43mm +/-0.25mm |
| L | 7.26mm +/-0.79mm |
| L2 | 10.72mm |
| LL | 38.1mm +/-6.35mm |
| F | 0.51mm +/-0.05mm |

| Packaging Specifications | |
|--------------------------|-----------|
| Packaging: | Bulk, Box |
| Packaging Quantity: | 150 |

| General Information | |
|---------------------|---|
| Supplier: | KEMET |
| Series: | T110 |
| Dielectric: | MnO2 Tantalum |
| Style: | Axial Hermetic |
| Description: | Axial, Solid Tantalum, Hermetically Sealed, Military (Non-ER), Polar |
| Features: | Polar |
| RoHS: | Yes |
| Termination: | Tin |
| Lead: | Wire Leads |
| Construction: | Hermetic |
| Notes: | Dimensions Include Insulation Sleeve. When Supplied On T&R Or Ammo, Lead Length Is Determined By Taping Specification |

| Specifications | |
|------------------------|--|
| Capacitance: | .047 uF |
| Capacitance Tolerance: | 20% |
| Voltage DC: | 35 VDC (85C), 28 VDC (125C Surge), 0.35 VDC (125C Reverse) |
| Temperature Range: | -55/+125C |
| Rated Temperature: | 85C |
| Leakage Current: | 0.1 uA (25C) |