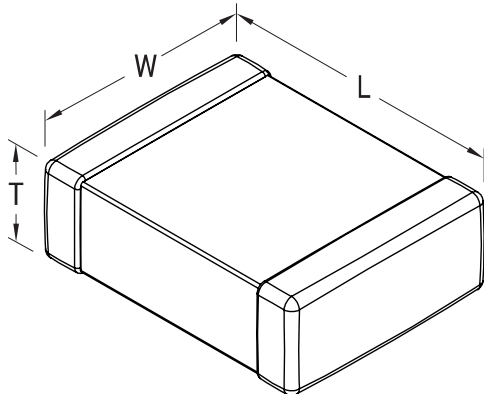



KEMET Part Number: M123A11BPB272FS
(C1210Z272F5GAH)

SMD Mil PRF123, Ceramic, Military/High Reliability, 2700 pF, 1%, 50 VDC, BP, SMD Chip, Ultra Stable, N/A, 1210



Dimensions	
L	3.048mm +/-0.381mm (0.12 in +/-0.015 in)
W	2.54mm +/-0.381mm (0.1 in +/-0.015 in)
T	1.651mm MAX (0.065 in MAX)

Packaging Specifications	
Packaging:	Waffle
Packaging Quantity:	25000

General Information	
Supplier:	KEMET
Series:	SMD Mil PRF123
Style:	SMD Chip
Description:	SMD Chip, Ultra Stable
RoHS:	No
Prop 65:	 WARNING: Cancer and reproductive harm - www.p65warnings.ca.gov .
REACH:	SVHC (Pb – CAS 7439-92-1)
Termination:	Nickel
Failure Rate:	N/A
Chip Size:	1210
Shelf Life:	78 Weeks
MSL:	1

Specifications	
Capacitance:	2700 pF
Capacitance Tolerance:	1%
Voltage DC:	50 VDC
Temperature Range:	-55/+125C
Temperature Coefficient:	BP