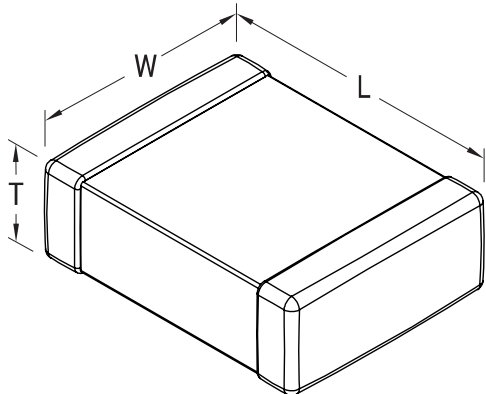


KEMET Part Number: M123A23BPB223FS
(C1825Z223F5GAH)

SMD Mil PRF123, Ceramic, Military/High Reliability, 0.022 uF, 1%, 50 VDC, BP, SMD Chip, Ultra Stable, N/A, 1825



Dimensions	
L	4.572mm +/-0.381mm (0.18 in +/-0.015 in)
W	6.35mm +/-0.381mm (0.25 in +/-0.015 in)
T	2.032mm MAX (0.08 in MAX)

Packaging Specifications	
Packaging:	Waffle
Packaging Quantity:	25000

General Information	
Supplier:	KEMET
Series:	SMD Mil PRF123
Style:	SMD Chip
Description:	SMD Chip, Ultra Stable
RoHS:	No
Prop 65:	WARNING: Cancer and reproductive harm - www.p65warnings.ca.gov .
REACH:	SVHC (Pb – CAS 7439-92-1)
Termination:	Nickel
Failure Rate:	N/A
Chip Size:	1825
Shelf Life:	78 Weeks
MSL:	1

Specifications	
Capacitance:	0.022 uF
Capacitance Tolerance:	1%
Voltage DC:	50 VDC
Temperature Range:	-55/+125C
Temperature Coefficient:	BP