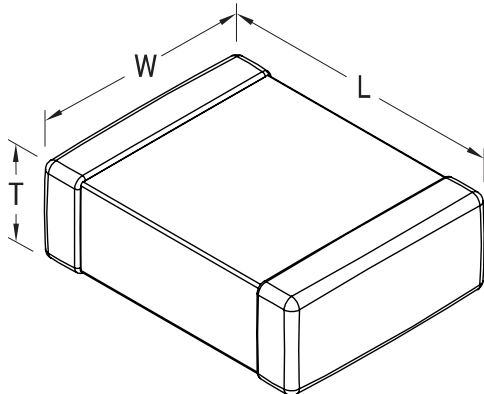


KEMET Part Number: M123A10BPB750FS
(C0805Z750F5GAH)

SMD Mil PRF123, Ceramic, Military/High Reliability, 75 pF, 1%, 50 VDC, BP, SMD Chip, Ultra Stable, N/A, 0805



Dimensions	
L	2.032mm +/-0.381mm (0.08 in +/-0.015 in)
W	1.27mm +/-0.381mm (0.05 in +/-0.015 in)
T	1.397mm MAX (0.055 in MAX)

Packaging Specifications	
Packaging:	Waffle
Packaging Quantity:	25000

General Information	
Supplier:	KEMET
Series:	SMD Mil PRF123
Style:	SMD Chip
Description:	SMD Chip, Ultra Stable
RoHS:	No
Prop 65:	⚠ WARNING: Cancer and reproductive harm - www.p65warnings.ca.gov .
REACH:	SVHC (Pb – CAS 7439-92-1)
Termination:	Nickel
Failure Rate:	N/A
Chip Size:	0805
Shelf Life:	78 Weeks
MSL:	1

Specifications	
Capacitance:	75 pF
Capacitance Tolerance:	1%
Voltage DC:	50 VDC
Temperature Range:	-55/+125C
Temperature Coefficient:	BP