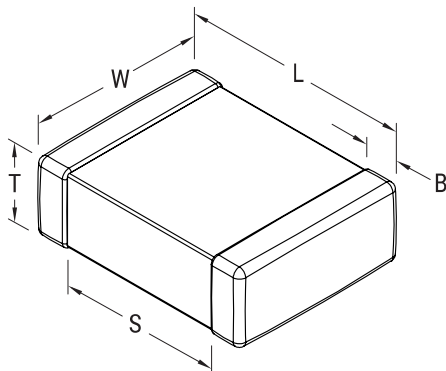


KEMET Part Number: C0603C224M3VACTU
(C0603C224M3VAC7867)

SMD Comm Y5V, Ceramic, 0.22 uF, 20%, 25 V, Y5V, SMD, MLCC, General Purpose, Class III, 0603



Dimensions

Dimensions	
L	1.6mm +/-0.15mm
W	0.8mm +/-0.15mm
T	0.8mm +/-0.10mm
S	0.7mm MIN
B	0.35mm +/-0.15mm

Packaging Specifications

Packaging:	T&R, 180mm, Paper Tape
Packaging Quantity:	4000

General Information

Supplier:	KEMET
Series:	SMD Comm Y5V
Style:	SMD Chip
Description:	SMD, MLCC, General Purpose, Class III
Features:	Class III
RoHS:	Yes
Termination:	Tin
Marking:	No
Failure Rate:	N/A
Miscellaneous:	Note: Referee time for Y5V dielectric for this part number is 48 hours
Chip Size:	0603
Shelf Life:	78 Weeks
MSL:	1

Specifications

Capacitance:	0.22 uF
Capacitance Tolerance:	20%
Voltage DC:	25 VDC
Dielectric Withstanding Voltage:	62.5 V
Temperature Range:	-30/+85C
Temperature Coefficient:	Y5V
Dissipation Factor:	7.000000000000001% 1kHz 25C
Aging Rate:	7% Loss/Decade Hour
Insulation Resistance:	455 MOhms