

DT Series Miniature Double Pole Rocker Switches

NEW!



Features/Benefits

- Illuminated versions available
- Double pole switching in miniature package
- Snap-in mounting
- RoHS compliant

Typical Applications

- Small appliances
- Computers and peripherals
- Medical instrumentation



Models Available

Specifications

CONTACT RATING:

UL/CSA: 8 AMPS @ 125 VAC, 4 AMPS @ 250 VAC

VDE: 10 AMPS @ 125 VAC, 6 AMPS @ 250 VAC.

QH version: 16 AMPS @ 125 VAC, 10 AMPS @ 250 VAC

ELECTRICAL LIFE: 10,000 make and break cycles at full load.

INSULATION RESISTANCE: 10⁸ Ω min.

DIELECTRIC STRENGTH: 1,500 VRMS @ sea level.

OPERATING TEMPERATURE: -20°C to +85°C

Materials

HOUSING AND ACTUATOR: 6/6 nylon (UL94V-2), black, matte finish.

ILLUMINATED ACTUATOR: Polycarbonate, matte finish.

CENTER CONTACTS: Silver plated, copper alloy.

END CONTACTS: Silver plated AgCdo.

ALL TERMINALS: Silver plated, copper alloy.

NOTE: For the latest information regarding RoHS compliance, please go to: www.ittcannon.com/rohs.

NOTE: Specifications and materials listed above are for switches with standard options. For information on specific and custom switches, consult Customer Service Center.

Build-A-Switch

To order, simply select desired option from each category and place in the appropriate box. Available options are shown and described on pages H-67 through H-70. For additional options not shown in catalog, consult Customer Service Center.

| | | | | | | | |
|---|---|---|---|--|---|--|--|
| <p>Switch Function</p> <p>DT12 SPST On-None-Off</p> <p>DT22 DPST On-None-Off</p> | <p>Actuator</p> <p>J1 Rocker</p> <p>J2 Two-tone rocker</p> <p>J3 Illuminated rocker</p> | <p>Actuator Color</p> <p>2 Black</p> <p>1 White</p> <p>3 Red</p> <p>R Red, illuminated</p> <p>A Amber, illuminated</p> <p>G Green, illuminated</p> | <p>Mounting Style/Color</p> <p>S2 Snap-in, black</p> <p>S1 Snap-in, white</p> <p>B2 Recessed snap-in bracket, black</p> <p>G2 Guard, black</p> | <p>Termination</p> <p>15 .187" quick connect</p> <p>02 PC Thru-hole</p> <p>A Right angle, PC thru-hole</p> | <p>Actuator Marking</p> <p>(NONE) No marking</p> <p>D ON-OFF</p> <p>H "O I" - international ON-OFF</p> <p>N Large dot</p> <p>P "O -" international ON-OFF</p> | <p>Contact Rating</p> <p>QA Silver (UL/CSA)</p> <p>QF Silver (VDE)*</p> <p>QH Silver (High current)*</p> | <p>Lamp Rating</p> <p>(NONE) No lamp</p> <p>7 125 VAC neon</p> <p>8 250 VAC neon</p> |
|---|---|---|---|--|---|--|--|

* QF available with termination 15 only.

Rocker



Dimensions are shown: Inch (mm)
Specifications and dimensions subject to change

DT Series Miniature Double Pole Rocker Switches

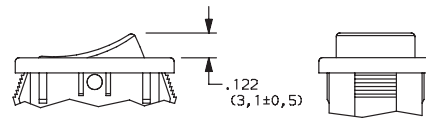
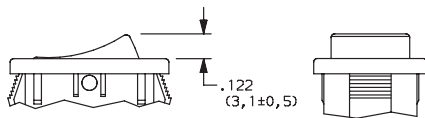
SWITCH FUNCTION

| NO. POLES | MODEL NO. | SWITCH FUNCTION | | CONNECTED TERMINALS | | SCHEMATIC |
|--|-------------|-----------------|-----|---------------------|-----|------------------------------|
| | | | | | | |
| DP | DT12 | ON | ON | 2-3 | 2-1 | For Illuminated Versions |
| | DT22 | ON | OFF | | | For Illuminated Versions |
| <p> Dimensions shown: .591 (15,0), .504 (12,8), .827 (21,0), .079 (2,0), .551 (14,0), .866 (22,0), .122 (3,1±0,5), .315 (8,0), .484 (12,3), .157 (4,0), .187 (4,75), .197 (5,0), .724 (18,4), .197 (5,0±0,5), .031 (0,8±0,05), .098 DIA. (ø2,5) </p> | | | | | | |

ACTUATOR

- J1** ROCKER
- J3** ILLUMINATED ROCKER

- J2** TWO-TONE ROCKER



Dimensions are shown: Inch (mm)
Specifications and dimensions subject to change



DT Series Miniature Double Pole Rocker Switches

ACTUATOR COLOR

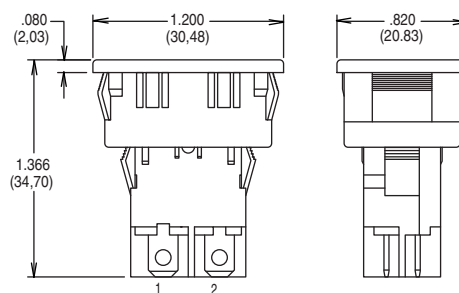
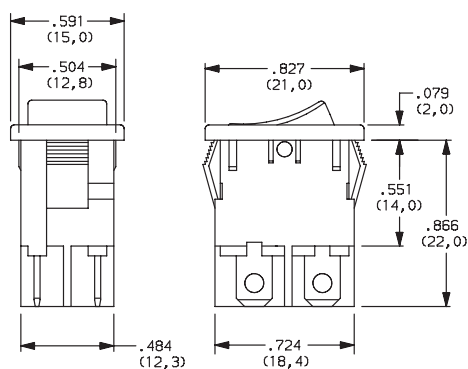
| OPTION CODE | ACTUATOR COLOR |
|-------------|--------------------|
| 2 | BLACK |
| 1 | WHITE |
| 3 | RED |
| R | RED, ILLUMINATED |
| A | AMBER, ILLUMINATED |
| G | GREEN, ILLUMINATED |

MOUNTING STYLE/COLOR

S2 SNAP-IN, BLACK

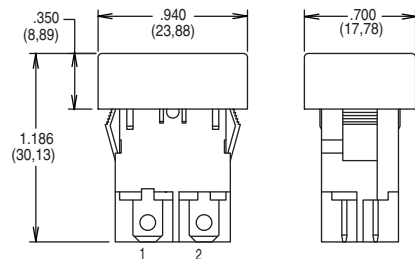
S1 SNAP-IN, WHITE

B2 RECESSED SNAP-IN BRACKET, BLACK

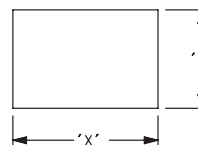


NOTE: Available with DT102 switch functions only.

G2 GUARD, BLACK



PANEL MOUNTING

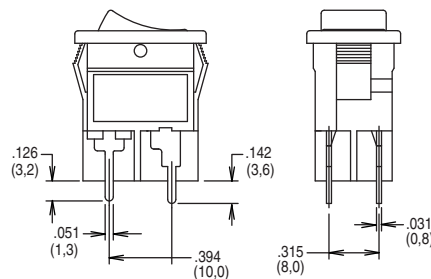
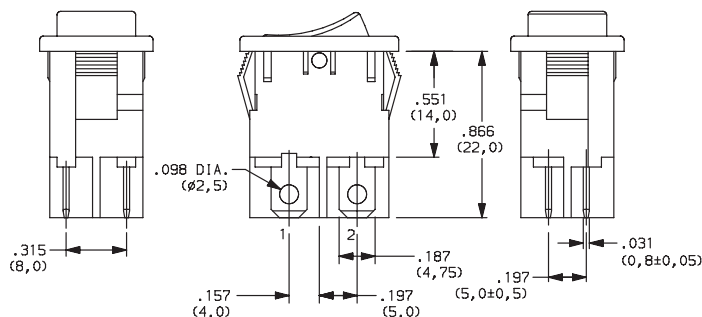


| PANEL THICKNESS | "X" | "Y" |
|-------------------------|-----------------------|-----------------------|
| 0.030-0.049 (0,75-1,25) | 0.756-.004 (19,2-0,1) | 0.512+.004 (13,0+0,1) |
| 0.049-0.079 (1,25-2,0) | 0.764-.004 (19,4-0,1) | 0.512+.004 (13,0+0,1) |
| 0.079-0.118 (2,0-3,0) | 0.780-.004 (19,8-0,1) | 0.512+.004 (13,0+0,1) |

TERMINATION

15 .187" QUICK CONNECT

02 PC THRU-HOLE



NOTE: No VDE approval of this option.



Dimensions are shown: Inch (mm)
Specifications and dimensions subject to change

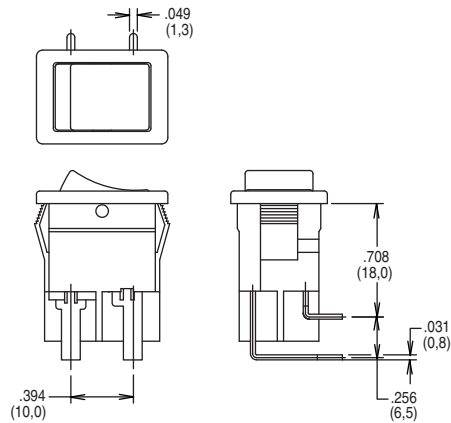
Rocker



DT Series Miniature Double Pole Rocker Switches

TERMINATION

A RIGHT ANGLE, PC THRU-HOLE



NOTE: No VDE approval of this option.

ACTUATOR MARKING

NONE NO MARKING



D ON-OFF



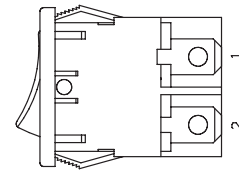
H O-I



N LARGE DOT



P O-



NOTE: Orientation of actuator marking and terminals.

CONTACT MATERIAL

| OPTION CODE | RoHS COMPLIANT * | RoHS COMPATIBLE * | CONTACT AND TERMINAL MATERIAL | RATINGS | |
|-------------|------------------|-------------------|-------------------------------|---------|---|
| | | | | POWER | 8 AMPS @ 125 VAC; 4 AMPS @ 250 VAC (UL/CSA) |
| QA | YES | YES | SILVER | POWER | 8 AMPS @ 125 VAC; 4 AMPS @ 250 VAC (UL/CSA) |
| QF* | YES | YES | SILVER | POWER | 10 AMPS @ 125 VAC; 6 AMPS @ 250 VAC (VDE) |
| QH* | YES | YES | SILVER | POWER | 16 AMPS @ 125 VAC; 10 AMPS @ 250 VAC |

*1 QF available with termination 15 only.

NOTE: For the latest information regarding RoHS compliance, please go to: www.ittcannon.com/rohs.

LAMP RATING

(NONE) NO LAMP

7 125 VAC 33kΩ NEON

8 250 VAC 150kΩ NEON



Dimensions are shown: Inch (mm)
Specifications and dimensions subject to change

