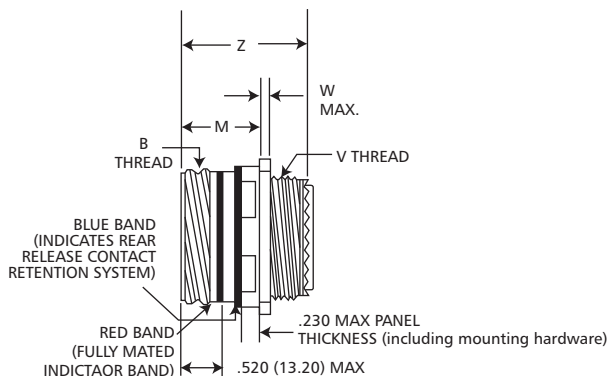
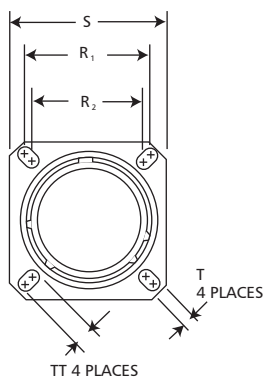


Wall Mount Receptacle

D38999/20

KJA0T

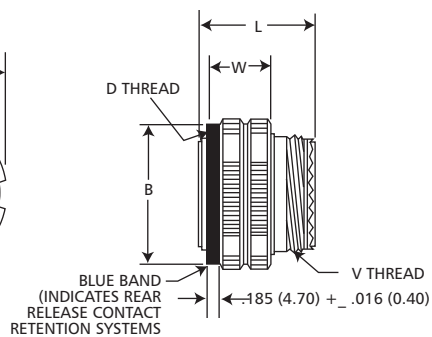
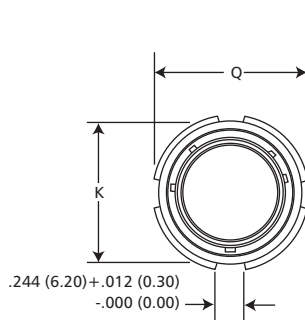


| Shell Size | MS Shell size Code | B Thread Class 2A (Plated) | M<br>+.000 (.000)<br>-.005 (.130) | R 1           | R 2           | S<br>+.012 (.300) | T<br>+.004 (.100)<br>-.002 (.050) | TT<br>+.004 (.100)<br>-.002 (.050) | Metric V Thread (Plated) | W Max.      | Z<br>+.005 (.130)<br>-.010 (.250) |
|------------|--------------------|----------------------------|-----------------------------------|---------------|---------------|-------------------|-----------------------------------|------------------------------------|--------------------------|-------------|-----------------------------------|
| 9          | A                  | .6250-0.1P-0.3L-TS         | .820 (20.83)                      | .719 (18.26)  | .594 (15.09)  | .938 (23.83)      | .128 (3.25)                       | .216 (5.49)                        | M12X1-6g0.100R           | .098 (2.50) | 1.235 (31.36)                     |
| 11         | B                  | .7500-0.1P-0.3L-TS         | .820 (20.83)                      | .812 (20.62)  | .719 (18.26)  | 1.031 (26.19)     | .128 (3.25)                       | .194 (4.93)                        | M15X1-6g0.100R           | .098 (2.50) | 1.235 (31.36)                     |
| 13         | C                  | .8750-0.1P-0.3L-TS         | .820 (20.83)                      | .906 (23.01)  | .812 (20.62)  | 1.125 (28.58)     | .128 (3.25)                       | .194 (4.93)                        | M18X1-6g0.100R           | .098 (2.50) | 1.235 (31.36)                     |
| 15         | D                  | 1.0000-0.1P-0.3L-TS        | .820 (20.83)                      | .969 (24.61)  | .906 (23.01)  | 1.219 (30.96)     | .128 (3.25)                       | .173 (4.39)                        | M22X1-6g0.100R           | .098 (2.50) | 1.235 (31.36)                     |
| 17         | E                  | 1.1875-0.1P-0.3L-TS        | .820 (20.83)                      | 1.062 (26.97) | .969 (24.61)  | 1.312 (33.32)     | .128 (3.25)                       | .194 (4.93)                        | M25X1-6g0.100R           | .098 (2.50) | 1.235 (31.36)                     |
| 19         | F                  | 1.2500-0.1P-0.3L-TS        | .820 (20.83)                      | 1.156 (29.36) | 1.062 (26.97) | 1.438 (36.53)     | .128 (3.25)                       | .194 (4.93)                        | M28X1-6g0.100R           | .098 (2.50) | 1.235 (31.36)                     |
| 21         | G                  | 1.3750-0.1P-0.3L-TS        | .790 (20.07)                      | 1.250 (31.75) | 1.156 (29.36) | 1.562 (39.67)     | .128 (3.25)                       | .194 (4.93)                        | M31X1-6g0.100R           | .126 (3.20) | 1.235 (31.36)                     |
| 23         | H                  | 1.5000-0.1P-0.3L-TS        | .790 (20.07)                      | 1.375 (34.92) | 1.250 (31.75) | 1.688 (42.88)     | .154 (3.91)                       | .242 (6.15)                        | M34X1-6g0.100R           | .126 (3.20) | 1.235 (31.36)                     |
| 25         | J                  | 1.6250-0.1P-0.3L-TS        | .790 (20.07)                      | 1.500 (38.10) | 1.375 (34.92) | 1.812 (46.02)     | .154 (3.91)                       | .242 (6.15)                        | M37X1-6g0.100R           | .126 (3.20) | 1.235 (31.36)                     |

Straight Plug Grounded

D38999/26

KJA6T



| Shell Size | MS Shell size Code | B<br>+.008 (.200)<br>-.000 (.000) | D Thread Class 2B (Plated) | K Max.        | L Max.        | Q Dia Max.    | Metric V Thread (Plated) | W<br>+.008 (.200)<br>-.004 (.100) |
|------------|--------------------|-----------------------------------|----------------------------|---------------|---------------|---------------|--------------------------|-----------------------------------|
| 9          | A                  | .724 (18.40)                      | .6250-0.1P-0.3L-TS         | .748 (19.00)  | 1.234 (31.34) | .859 (21.82)  | M12X1-6g0.100R           | .760 (19.30)                      |
| 11         | B                  | .831 (21.10)                      | .7500-0.1P-0.3L-TS         | .862 (21.90)  | 1.234 (31.34) | .969 (24.61)  | M15X1-6g0.100R           | .760 (19.30)                      |
| 13         | C                  | 1.000 (25.40)                     | .8750-0.1P-0.3L-TS         | 1.027 (26.10) | 1.234 (31.34) | 1.141 (28.98) | M18X1-6g0.100R           | .760 (19.30)                      |
| 15         | D                  | 1.130 (28.70)                     | 1.0000-0.1P-0.3L-TS        | 1.153 (29.30) | 1.234 (31.34) | 1.266 (32.16) | M22X1-6g0.100R           | .760 (19.30)                      |
| 17         | E                  | 1.268 (32.20)                     | 1.1875-0.1P-0.3L-TS        | 1.291 (32.80) | 1.234 (31.34) | 1.391 (35.53) | M25X1-6g0.100R           | .760 (19.30)                      |
| 19         | F                  | 1.374 (34.90)                     | 1.2500-0.1P-0.3L-TS        | 1.398 (35.50) | 1.234 (31.34) | 1.500 (38.10) | M28X1-6g0.100R           | .760 (19.30)                      |
| 21         | G                  | 1.500 (38.10)                     | 1.3750-0.1P-0.3L-TS        | 1.524 (38.70) | 1.234 (31.34) | 1.625 (41.28) | M31X1-6g0.100R           | .760 (19.30)                      |
| 23         | H                  | 1.618 (41.40)                     | 1.5000-0.1P-0.3L-TS        | 1.642 (41.70) | 1.234 (31.34) | 1.750 (44.45) | M34X1-6g0.100R           | .760 (19.30)                      |
| 25         | J                  | 1.744 (44.30)                     | 1.6250-0.1P-0.3L-TS        | 1.768 (44.90) | 1.234 (31.34) | 1.875 (47.62) | M37X1-6g0.100R           | .760 (19.30)                      |

Performance Specifications-Pages 3 and 4.

Contacts, Sealing Plugs, Assembly Tools - Pages 22, 28, and 29.

Contact Arrangements - Pages 20 and 21.

Dimensions shown in inches (mm)  
Specifications and dimensions subject to change

www.ittcannon.com

