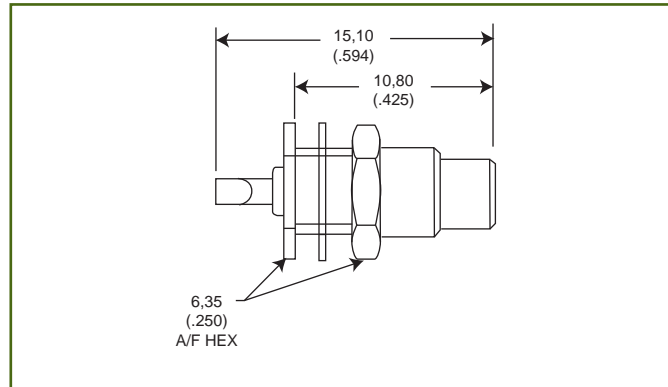


**BULKHEAD JACKS**

Straight Bulkhead Jack, Solder Pot,  
Mounting Nut outside Panel

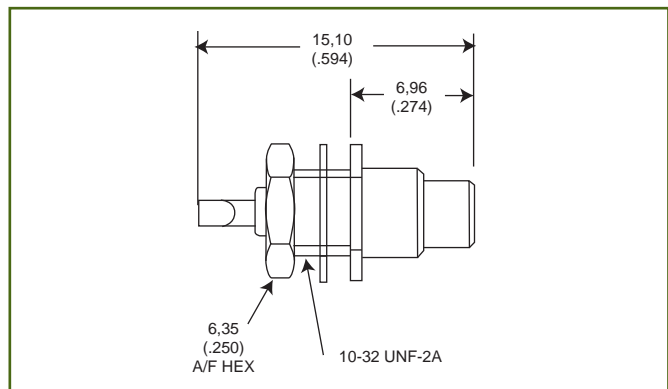
Part Number
050 - 043 - 0000220



Mounting Plan V (Page 40)

Straight Bulkhead Jack, Solder Pot ,  
Mounting Nut inside Panel

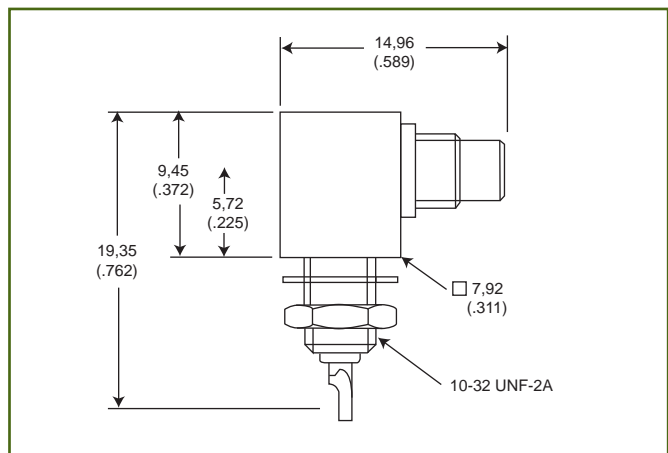
Part Number
050 - 045 - 0000220



Mounting Plan V (Page 40)

Right Angle Bulkhead Jack, Solder Pot,  
Mounting Nut inside Panel

Part Number
050 - 047 - 0000220



Mounting Plan V (Page 40)

Dimensions shown in mm (inch)  
Specifications and dimensions subject to change