

Special In-line Cable Filter Adapters



Filter adapters are designed to be engaged between connectors in an existing circuit to provide instant filtering without having to rewire. They are environmentally sealed and have pin contacts in the plug end and socket contacts in the end that mates with the receptacle. The filter is concentric around the central pin-socket contact. Electrical and operating characteristics are the same as in the standard TKJ file connectors.

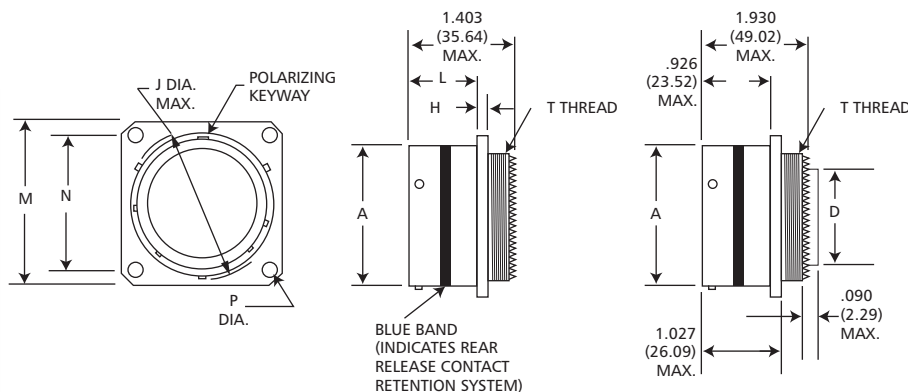
These adapters will mate with all MIL-DTL-38999 connectors having like contact arrangements. For proper performance both the mating receptacle and panel must have a conductive finish. Please contact Customer Service for dimensions.

Flange mounted in-line connectors, similar to MS27662, are also available. They are environmentally sealed and use the same filters as in regular TKJ receptacles. Design permits engaging cable plugs to both ends.

Contact Customer Service for proper nomenclature and availability of the in-line cable adapters and in-line flange mounted TKJ connectors.

Wall Mounting Receptacle

TKJLO



Crimp Piggyback

Shell Size	A Dia. Max.	D Dia. Max.	G Dia. Max.	H Max.	J Dia. Max.	L Max.	M Max.	N T.P.	P Dia. Max.	T Thread
9	.573 (14.55)	.299 (7.59)	.562 (14.27)	.100 (2.54)	.662 (16.81)	.632 (16.05)	.958 (24.33)	.719 (18.26)	.138 (3.51)	.5625-24UNEF-2A
11	.701 (17.81)	.427 (10.85)	.626 (15.90)	.100 (2.54)	.810 (20.57)	.632 (16.05)	1.051 (26.70)	.812 (20.62)	.138 (3.51)	11/16-24UNEF-2A
13	.851 (21.62)	.541 (13.74)	.751 (19.07)	.100 (2.54)	.960 (24.38)	.632 (16.05)	1.145 (29.08)	.906 (23.01)	.138 (3.51)	13/16-20UNEF-2A
15	.976 (24.79)	.666 (16.92)	.876 (22.25)	.100 (2.54)	1.085 (27.56)	.632 (16.05)	1.239 (31.47)	.969 (24.61)	.138 (3.51)	15/16-20UNEF-2A
17	1.101 (27.97)	.791 (20.09)	1.001 (25.42)	.100 (2.54)	1.210 (30.73)	.632 (16.05)	1.332 (33.83)	1.062 (26.97)	.138 (3.51)	1-1/16-18UNEF-2A
19	1.208 (30.68)	.888 (22.35)	1.063 (27.00)	.100 (2.54)	1.317 (33.45)	.632 (16.05)	1.458 (37.03)	1.156 (29.36)	.138 (3.51)	1-1/16-18UNEF-2A
21	1.333 (33.86)	1.005 (25.52)	1.188 (30.17)	.130 (3.30)	1.442 (36.63)	.602 (15.29)	1.582 (40.18)	1.250 (31.75)	.138 (3.51)	1-3/16-18UNEF-2A
23	1.458 (37.03)	1.130 (28.70)	1.313 (33.35)	.130 (3.30)	1.567 (39.80)	.602 (15.29)	1.708 (43.38)	1.375 (34.93)	.157 (3.99)	1-5/16-18UNEF-2A
25	1.583 (40.21)	1.255 (31.88)	1.438 (36.52)	.130 (3.30)	1.692 (42.98)	.602 (15.29)	1.832 (46.53)	1.500 (38.10)	.157 (3.99)	1-7/16-18UNEF-2A

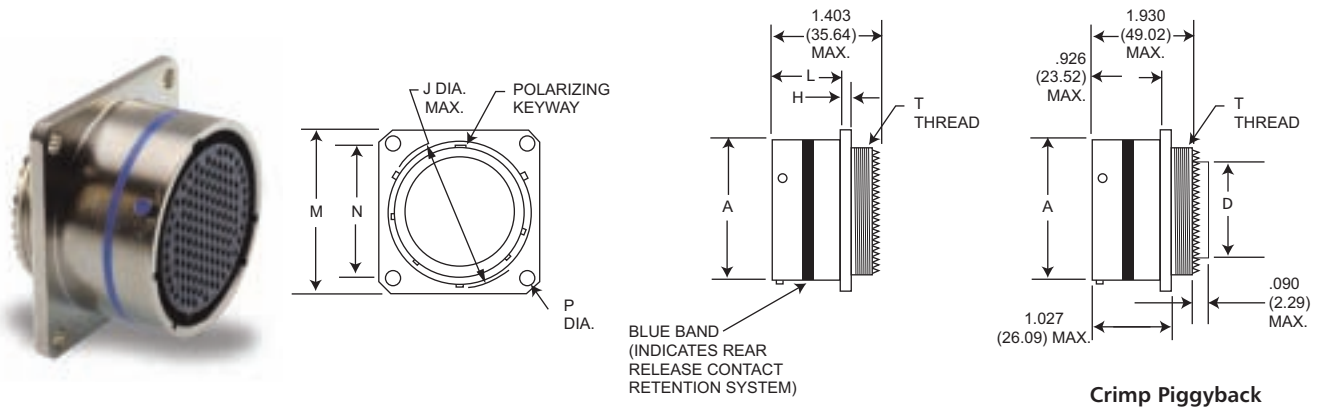


Dimensions shown in inch (mm)  
Specifications and dimensions subject to change

www.ittcannon.com

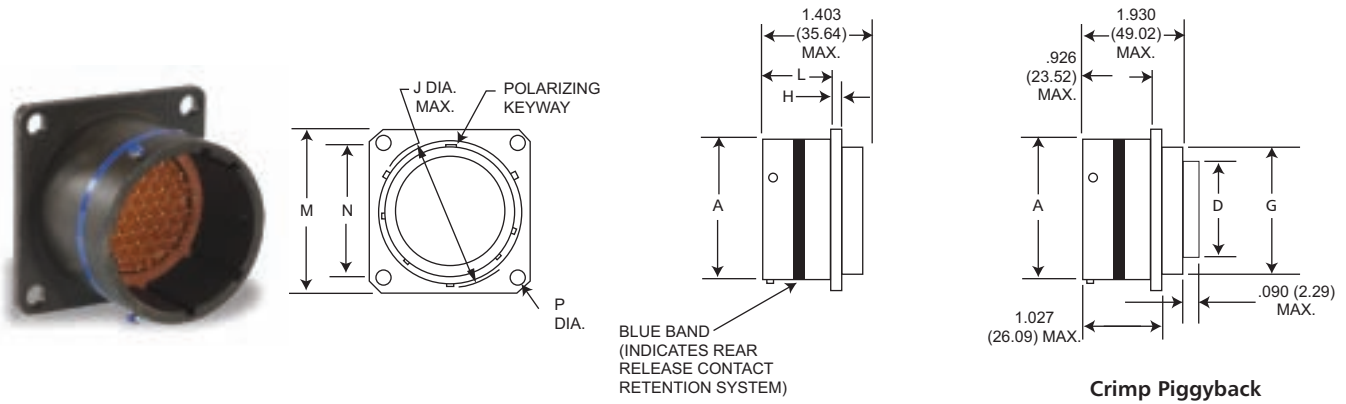
Wall Mounting Receptacle (Back Panel)

TKJL3



Box Mounting Receptacle (No Rear Threads)

TKJL5



Shell Size	A Dia. Max.	D Dia. Max.	G Dia. Max.	H Max.	J Dia. Max.	L Max.	M Max.	N T.P.	P Dia. Max.	T Thread
9	.573 (14.55)	.299 (7.59)	.562 (14.27)	.100 (2.54)	.662 (16.81)	.820 (20.83)	.958 (24.33)	.719 (18.26)	.138 (3.51)	.5625-24UNEF-2A
11	.701 (17.81)	.427 (10.85)	.594 (15.08)	.100 (2.54)	.810 (20.57)	.820 (20.83)	1.051 (26.70)	.812 (20.62)	.138 (3.51)	11/16-24UNEF-2A
13	.851 (21.62)	.541 (13.74)	.720 (18.28)	.100 (2.54)	.960 (24.38)	.820 (20.83)	1.145 (29.08)	.906 (23.01)	.138 (3.51)	13/16-20UNEF-2A
15	.976 (24.79)	.666 (16.92)	.844 (21.43)	.100 (2.54)	1.085 (27.56)	.820 (20.83)	1.239 (31.47)	.969 (24.61)	.138 (3.51)	15/16-20UNEF-2A
17	1.101 (27.97)	.791 (20.09)	.969 (24.61)	.100 (2.54)	1.210 (30.73)	.820 (20.83)	1.332 (33.83)	1.062 (26.97)	.138 (3.51)	1-1/16-18UNEF-2A
19	1.208 (30.68)	.880 (22.35)	1.063 (27.00)	.100 (2.54)	1.317 (33.45)	.820 (20.83)	1.458 (37.03)	1.156 (29.36)	.138 (3.51)	1-1/16-18UNEF-2A
21	1.333 (33.86)	1.005 (25.52)	1.188 (30.17)	.130 (3.30)	1.442 (36.63)	.790 (20.07)	1.582 (40.18)	1.250 (31.75)	.138 (3.51)	1-3/16-18UNEF-2A
23	1.458 (37.03)	1.130 (28.70)	1.313 (33.35)	.130 (3.30)	1.567 (39.80)	.790 (20.07)	1.708 (43.38)	1.375 (34.93)	.157 (3.99)	1-5/16-18UNEF-2A
25	1.583 (40.21)	1.255 (31.88)	1.438 (36.52)	.130 (3.30)	1.692 (42.98)	.790 (20.07)	1.832 (46.53)	1.500 (38.10)	.157 (3.99)	1-7/16-18UNEF-2A

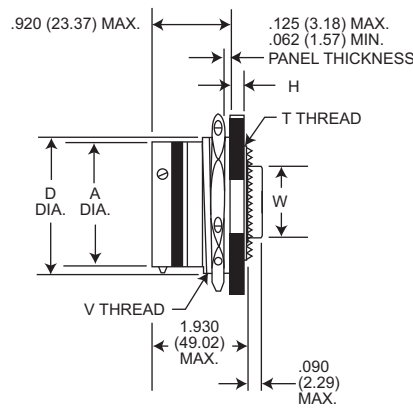
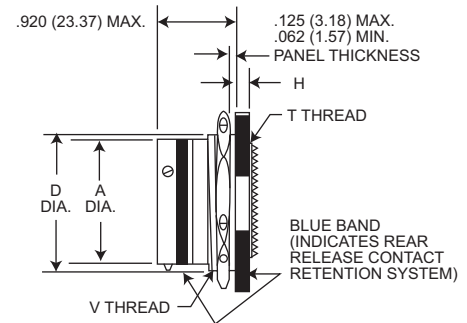
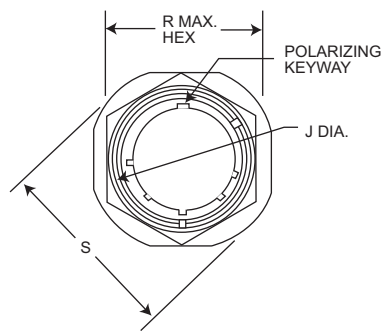
Dimensions shown in inch (mm)  
 Specifications and dimensions subject to change

www.ittcannon.com



Jam Nut Receptacle

TKJL7



Crimp Piggyback

Shell Size	A Dia. Max.	D Max.	H Max.	J Dia. Max.	R Max. Hex.	S Dia. Max.	T Thread	V Thread Class 2A	W Dia. Max.
9	.573 (14.55)	.655 (16.64)	.120 (3.05)	.662 (16.81)	.892 (22.66)	1.204 (30.58)	.5625-24UNEF-2A	11/16-24UNEF	.299 (7.59)
11	.701 (17.81)	.755 (19.18)	.120 (3.05)	.810 (20.57)	1.017 (25.83)	1.391 (35.33)	11/16-24UNEF-2A	13/16-24UNEF	.427 (10.85)
13	.851 (21.62)	.942 (23.93)	.120 (3.05)	.960 (24.38)	1.205 (30.61)	1.516 (35.51)	13/16-20UNEF-2A	1-20UNEF	.541 (13.74)
15	.976 (24.79)	1.066 (27.08)	.120 (3.05)	1.085 (27.56)	1.329 (33.76)	1.641 (41.68)	15/16-20UNEF-2A	1-1/8-18UNEF	.666 (16.92)
17	1.101 (27.97)	1.191 (30.25)	.120 (3.05)	1.210 (30.73)	1.455 (36.96)	1.766 (44.86)	1-1/16-18UNEF-2A	1-1/4-18UNEF	.791 (20.09)
19	1.208 (30.68)	1.316 (33.43)	.151 (3.84)	1.317 (33.45)	1.579 (40.11)	1.954 (49.63)	1-1/16-18UNEF-2A	1-3/8-18UNEF	.880 (22.35)
21	1.333 (33.86)	1.441 (36.60)	.151 (3.84)	1.442 (36.63)	1.705 (43.31)	2.078 (52.78)	1-3/16-18UNEF-2A	1-1/2-18UNEF	1.005 (25.52)
23	1.458 (37.03)	1.566 (39.78)	.151 (3.84)	1.567 (39.80)	1.829 (46.46)	2.204 (55.98)	1-5/16-18UNEF-2A	1-5/8-18UNEF	1.130 (28.70)
25	1.583 (40.21)	1.691 (42.95)	.151 (3.84)	1.692 (42.98)	2.017 (51.23)	2.328 (59.13)	1-7/16-18UNEF-2A	1-3/4-18UNEF	1.255 (31.88)



Dimensions shown in inch (mm)  
Specifications and dimensions subject to change

www.ittcannon.com