



Datasheet

IMPINJ MONZA[®] X-8K DURA

TAG CHIP DATASHEET

OVERVIEW

Monza[®] X-8K Dura is a UHF Gen2 RFID IC product with 8192 bits of user Non-Volatile Memory (NVM) and an I2C interface.

As an I2C device Monza X-8K Dura operates as a standard I2C EEPROM. The contents of this EEPROM can also be accessed wirelessly via the UHF Gen2 RFID Protocol.

Features

- EPCglobal and ISO 18000-63 compliant, Gen2V2 compliant.
- 8192 bits of user NVM
- 16 One Time Programmable (OTP) blocks (3583 bits) via BlockPermalock feature supported by both I2C and EPC Gen2 interface
- QT for read control and data privacy on RF link
- I2C slave interface with NVM read and write and four user configurable I2C slave addresses
- -19.1 dBm typical read sensitivity when using a single RF antenna port & dipole tag attached, -26.1 dBm with DC input & dipole tag attached.
- -21.6dBm typical read sensitivity when using dual RF antenna ports and dipole tag attached.
- -14.1 dBm typical write sensitivity when using a single RF antenna port and dipole tag attached.
- I2C control of RF access
- Write wakeup mode, which allows Monza X-8K Dura to wake up a device.
- FastID™ inventory mode, a Gen2 compliant, patent-pending method for EPC+TID based inventory that is 2-3 times faster than previous methods

Table 1: Impinj Monza X-8K Dura Input Port Overview

NAME	DESCRIPTION	CHARACTERISTIC	CHIP VIEW
RF1_P	Differential RF Input Port 1	1.6kΩ, 1pF -17 dBm single-port sensitivity	<p>Top View</p>
RF1_N			
RF2_P	Differential RF Input Port 2	-19.5 dBm True3D sensitivity	
RF2_N			
DCI	DC Input	1.6–3.6V	
SCL	I2C Clock Input	V _{IH/L} =70% / 30% DCI	
SDA	I2C Data Input	I _{OL} =6mA @ 0.4V	
GND	Ground		

TABLE OF CONTENTS

1	Introduction	1
1.1	Scope	1
1.2	Reference Documents	1
2	Functional Description	1
2.1	Reader Communications (Gen2/RF Commands)	2
2.2	Advanced Monza Inventory Features	3
2.3	Support for Optional Gen 2 Commands	3
2.4	I2C Interface (SDA, SCL, DCI Pins).....	4
2.5	I2C Memory Map.....	5
2.6	I2C Control of Monza X-8K Dura Behavior	8
2.7	Monza X-8K Dura I2C and Gen2 Lock Bits	8
2.8	Monza X-8K Dura I2C and Gen2 BlockPermalock	9
2.9	Monza X-8K Dura I2C Control of LOCK_DA and I2C_ADDR[1:0] Bits	10
2.10	Monza X-8K Dura Control of the QT Function	11
2.11	Monza X-8K Dura I2C Control of Gen2 Response to Ack Command	13
2.12	RF Access Control	14
2.13	Gen2/I2C Arbitration	14
2.14	Write Wakeup Mode.....	15
3	Chip Characteristics	16
3.1	Physical Characteristics	16
3.2	Absolute Maximum Ratings	17
3.3	Reflow Temperature Profile	18
3.4	Electrical Characteristics	19
3.5	Memory Characteristics	21
3.6	RF Functionality	22
3.7	I2C Characteristics	22
3.8	NVM Usage Model	23
3.9	Environmental Compliance	23
4	Product Delivery Specifications	24
4.1	Markings	24
4.1.1	Marking Sizes and Tolerances	24
4.1.2	Marking Specification	24
4.2	Tape and Reel Specification	25
5	Errata	27
6	Footprint Compatibility with Impinj Monza® X-2K Dura	27
7	Ordering Information	28
8	External Reference	29
9	Notices	29

1 INTRODUCTION

1.1 Scope

This datasheet defines the physical and logical specifications for Gen 2-compliant Monza X-8K Dura tag chip, a reader-talks-first, radio frequency identification (RFID) component operating in the UHF frequency range.

1.2 Reference Documents

The following reference documents were used to compile this datasheet:

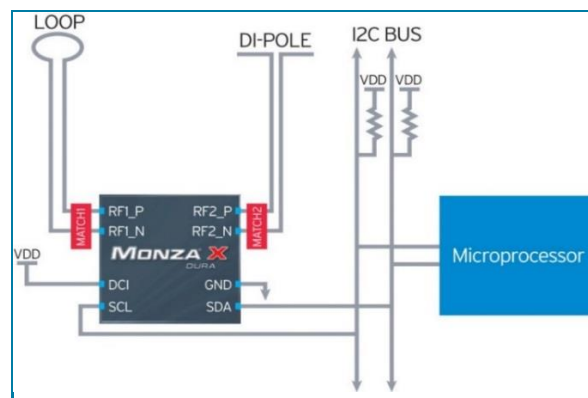
- EPC™ Radio Frequency Identity Protocols Class-1 Generation-2 UHF RFID Protocol for Communications at 860 MHz – 960 MHz (Gen 2 Specification)¹.
 - The conventions used in the Gen 2 Specification (normative references, terms and definitions, symbols, abbreviated terms, and notation) were adopted in the drafting of this Monza X-8K Dura Tag Chip Datasheet. Users of this datasheet should familiarize themselves with the Gen 2 Specification.
- EPC™ Tag Data Standards Specification².
- EPCglobal Interoperability Test System for EPC Compliant Class-1 Generation-2 UHF RFID³.
 - Monza X-8K Dura tag chips are compliant with this Gen 2 interoperability standard.
- I2C-bus Specification Rev. 03, June 19 2007, NXP Doc UM10204⁴

You may consult these documents for more information about compliance standards and specifications.

2 FUNCTIONAL DESCRIPTION

Monza X-8K Dura enables users to communicate wirelessly with the processor inside electronic devices using standard Gen 2 RFID readers, which unlocks many new benefits for consumer electronics manufacturers, retailers and end users. Monza X-8K Dura connects to the processor of an electronic device through a standard I2C bus. This enables the processor to read and write the Monza X chip memory with information that is accessible to UHF Gen 2 RFID readers even when the electronic device is powered off. By enabling electronic devices to communicate with RFID readers, Monza X chips deliver a wide range of extended capabilities such as theft deterrence in the supply chain and device configuration/upgrades at point of sale and beyond. By default, applying voltage to the DCI pin will disable RF communications. This can be reconfigured by the user (see Gen2/I2C Arbitration).

Figure 1: Monza X-8K Dura – Electronic Diagram



2.1 Reader Communications (Gen2/RF Commands)

A reader communicates with Monza X-8K Dura using standard Gen2 RFID commands. Please see the EPCglobal [Class-1 Generation-2 UHF RFID Air-Interface Protocol V1.2.0](#) for details.

The Gen 2 memory map is shown in Table 2. Fields in blue text are read only from a Gen2 reader. Reserved memory bank words 4-10 are read only.

Table 2: Gen2 Interface Memory Map

GEN2 BANK NAME	I2C BIT ADDR	BIT ADDRESS																											
		0	1	2	3	4	5	6	7	8	9	A	B	C	D	E	F												
User (11 ₂)	1FF0 _h -1FFF _h	USER [15 : 0]																											
																											
	00 _h -0F _h	USER [8191 : 8176]																											
TID (10 ₂)	B0 _h -BF _h	EPC_PUBLIC [15 : 0]																											
																											
	60 _h -6F _h	EPC_PUBLIC [95 : 80]																											
	50 _h -5F _h	TID_SERIAL [15 : 0]																											
	40 _h -4F _h	TID_SERIAL [31 : 16]																											
	30 _h -3F _h	TID_SERIAL [47 : 32]																											
	20 _h -2F _h	TIDS [15 : 0] = 0x2000																											
	10 _h -1F _h	TID_DESIGNER [3 : 0] = 0001 ₂			TID_MODEL [11 : 0] = 150 _h																								
	00 _h -0F _h	CLASS_ID [7 : 0] = 11100010 ₂							XTID = 1		TID_DESIGNER [10 : 4] = 0000000 ₂ (Gen2 mask designer is address 08 _h to 13 _h)																		
EPC (01 ₂)	90 _h -9F _h	EPC_PRIVATE [15 : 0]																											
																											
	20 _h -2F _h	EPC_PRIVATE [127 : 112]																											
	10 _h -1F _h	EPC_LENGTH [4 : 0]				UMI		XI = 0		NSI [8 : 0] (Numbering System Identifier, default 00000000 ₂)																			
	00 _h -0F _h	EPC_CRC [15 : 0]																											
Reserved (00 ₂)	A0 _h -AF _h	RFU = 0														WWU = 0		BPL_EN = 0		QT_SR = 0		QT_MEM = 0		DCI_RF_EN = 0		RF2_DIS = 0		RF1_DIS = 0	
	90 _h -9F _h	BLOCK_PERMALOCK [0 : 15]																											
	80 _h -8F _h	RESERVED																											
	70 _h -7F _h	RESERVED																											
	60 _h -6F _h	RESERVED																											
	50 _h -5F _h	RESERVED																											
	40 _h -4F _h	LOCK_KILL [1 : 0]		LOCK_ACCESS [1 : 0]		LOCK_EPC [1 : 0]		LOCK_USER [1 : 0]		LOCK_DA		RFU = 0						KILL		I2C_ADDR [1 : 0] = 11 ₂									
	30 _h -3F _h	ACCESS_PASSWORD [15 : 0]																											
	20 _h -2F _h	ACCESS_PASSWORD [31 : 16]																											
	10 _h -1F _h	KILL_PASSWORD [15 : 0]																											
00 _h -0F _h	KILL_PASSWORD [31 : 16]																												

Read-Only memory is highlighted in blue. See legend below for memory descriptions.

- “LOCK_DA” = Permalock bit for I2C device address
- “SKU” = Shop Keeping Units (Used to indicate die type)
- “DCI_RF_EN” = Enables RF when DCI is present

- “QT_MEM” = Selects memory map profile
 - 0: Tag uses private memory map
 - 1: Tag uses public memory map
- “I2C_ADDR” = NVM configurable bits of I2C device address 1101XX0₂, where XX=11₂ by default
- “WWU” = Write Wake Up
- “QT_SR” = Short Range in open and secured states
- “RF_DIS [1: 0]” = RF disable selectable by port

2.2 Advanced Monza Inventory Features

Monza tag chips support two unique, patent-pending features designed to boost inventory performance for traditional EPC and TID-based applications:

- TagFocus™ mode minimizes redundant reads of strong tags, allowing the reader to focus on weak tags that are typically the last to be found. Using TagFocus™, readers can suppress previously read tags by indefinitely refreshing their S1 B state.
- FastID™ mode makes TID-based applications such as authentication practical by boosting TID-based inventory speeds by 2 to 3 times. Readers can inventory both the EPC and the TID without having to perform an access command. Setting the EPC word length to zero enables TID-only serialization.

Monza X-8K Dura tag chips will stay in the TagFocus or FastID states once set, until the tags lose power from RF and from DC input, also known as Battery Assisted Passive (BAP) mode.

2.3 Support for Optional Gen 2 Commands

Following optional Gen 2 commands are supported:

Table 3: Optional Gen 2 Commands

COMMAND	CODE	LENGTH	DETAILS
Access	11000110	56	
BlockWrite	11000111	>57	<ul style="list-style-type: none"> • Accepts valid one-word commands • Accepts valid two-word commands if pointer is an even value • Returns error code (00000002) if it receives a valid two-word command with an odd value pointer • Returns error code (00000002) if it receives a command for more than two words • Does not respond to block write commands of zero words
BlockPermalock	11001001	>66	<ul style="list-style-type: none"> • Sixteen blocks • Four, 512 bits in size • Twelve 128 bits in size • Command can be disabled through I2C

2.4 I2C Interface (SDA, SCL, DCI Pins)

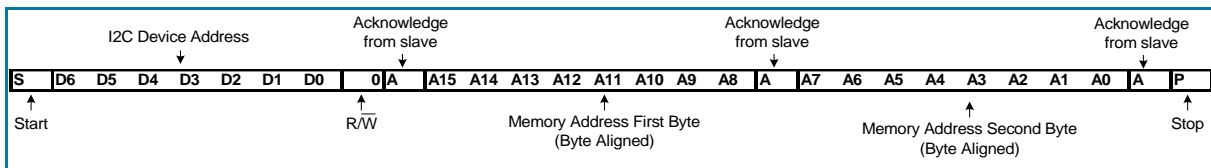
I2C is a standard two-wire interface (clock and data) that supports multiple addressable chips on a bus. Monza X-8K Dura only supports slave capability. Monza X-8K Dura's I2C features are compatible with the industry-standard I2C bus. Specifically, Monza X-8K Dura is compatible with I2C specification (I2C Rev 0.03, June 19 2007, NXP Doc UM10204). Monza X-8K Dura implements the following I2C capabilities:

- I2C slave
- I2C Start Condition
- I2C Repeated Start Condition
- I2C Stop Condition
- I2C Acknowledge
- I2C 7-bit slave address with two NVM programmable bits (1101XX0₂, where XX=11₂ by default)
- Fast mode transfer rates of 0-400kbits/second
- The DCI voltage provides I2C bus VOH/VOL reference and power.

When an I2C master addresses Monza X-8K Dura it must format its write transactions as described here. In addition to the I2C device address Monza X-8K Dura has a 16-bit, two byte, memory address that a master writes on every write transaction. The memory address specifies which memory byte the master is addressing. Only the lower 11 bits of the memory address are used. The master should set the upper bits of the memory address A15-A11 to zero.

The memory address stored in Monza X-8K Dura is only updated explicitly during a write transaction (R/W == 0). A master only writes a memory address, and future read transactions use the previously written address. A diagram of a transaction that writes the memory address is shown in Figure 2. All bit positions are explicitly shown so the boundary between the I2C device address and the Monza X-8K Dura memory address is clear. Subsequent diagrams do not explicitly show these address bits.

Figure 2: Addressing the Device and Setting the Memory Address



When performing an NVM write a master transmits data after the memory address. Monza X-8K Dura's NVM is organized as 16-bit words. Writes must align on word boundaries. The NVM allows one- or two-word writes (equivalent to two- or four-byte writes). When executing a one-word write Monza X-8K Dura ignores the LSB (A0) of the memory address. When executing a two-word write Monza X-8K Dura ignores the two LSBs (A1, A0) of the memory address. If the write transaction is valid then Monza X-8K Dura begins the NVM write after receiving a stop from the I2C master. Monza X-8K Dura will not respond to subsequent I2C transactions for the duration of the NVM write operation. The write time for one- and two-word write operations is the same. A one-word NVM write transaction is shown in Figure 3.

Monza X-8K Dura may observe several types of invalid NVM-write transactions. If a master sends one or three data bytes then Monza X-8K Dura will not perform the write (recall that Monza X-8K Dura writes 16-bit words). If a master sends more than two words then Monza X-8K Dura will not perform the write. Monza X-8K Dura also checks the memory address and will not perform a write if the address is invalid (but note that Monza X-8K Dura updates its memory address even if the address is invalid).

Figure 3: One-Word Monza X-8K Dura Write Transaction

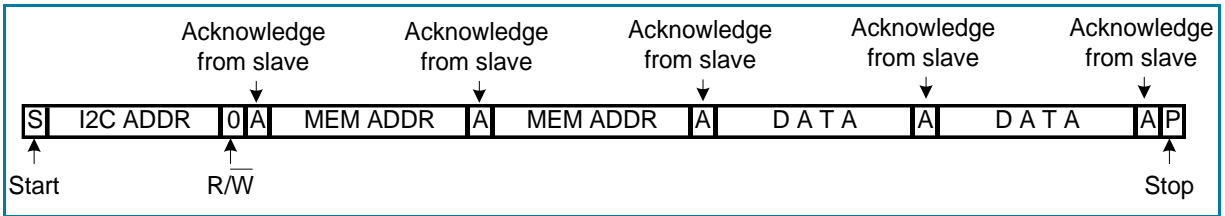
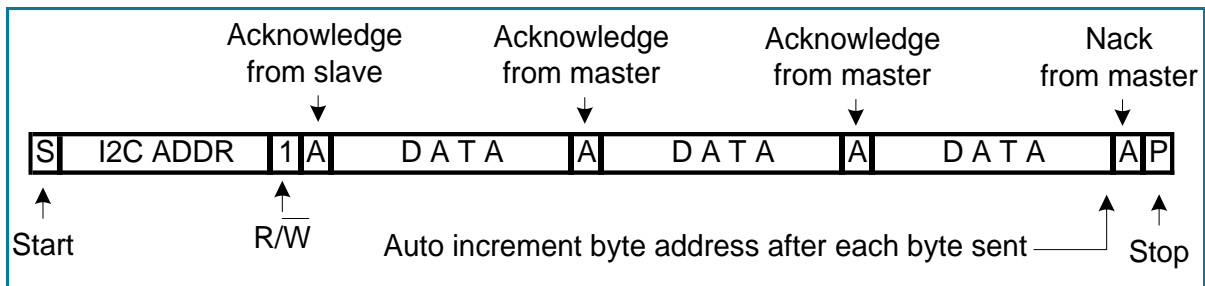


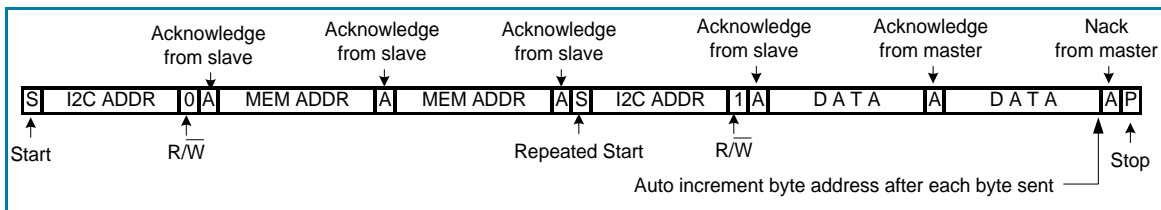
Figure 4 shows a read transaction. The read starts from the stored address. Monza X-8K Dura increments the address as it sends each data byte.

Figure 4: Monza X-8K Dura Read Transaction



Reads start from the stored address and continue to the end of memory, at which point Monza X-8K Dura will cease exchanging data over I2C. Monza X-8K Dura will send all 1's if the master continues to read beyond the end of the memory. To read from a new location the master must send a new address. The master may halt the read at a byte boundary and later initiate a new read transaction starting from that byte. For completeness the combined write transaction then read transaction is shown in Figure 5.

Figure 5: Write Transaction to Set Address Followed by Repeated Start and Read Transaction



Monza X-8K Dura ignores all Gen2 Lock, Kill permissions when reading / writing over I2C. The I2C port has read access to the entire NVM. The I2C port has write access to most, but not all, of the NVM. Monza X-8K Dura precludes a master from writing its manufacturing calibration fields (shown as Reserved in the I2C memory map of Table 4); these locations are read-only.

2.5 I2C Memory Map

Gen 2 and I2C have different views on how a memory map is organized. In I2C everything is done according to bytes. One uses byte addressing, byte writing, and byte reading. In Gen2 things are done in terms of bits or 16-bit words.

Monza X-8K Dura is a hybrid of these two approaches. It forces I2C to do one word or two word writes, but allows for byte wise reading and addressing. When reading via I2C the first bit read is always bit seven within the byte. The next byte read is at the next higher I2C byte address. The I2C memory map in byte wise format is shown in Table 4. An additional memory map that shows bit addressing from I2C in a word wise format is shown in Table 5.

Table 4: I2C Interface Memory Map in a Byte Wise Format

GEN2 BANK NAME	I2C BYTE ADDR (DEC)	BIT ADDRESS IN BYTE								"I2C PERM"	
		7	6	5	4	3	2	1	0		
USER (11 ₂)	1087	USER								R/W	
	1086	USER								R/W	
	...	USER								R/W	
	65	USER								R/W	
	64	USER								R/W	
TID (10 ₂)	63	EPC_PUBLIC								R/W	
	62	EPC_PUBLIC								R/W	
	...	EPC_PUBLIC								R/W	
	52	EPC_PUBLIC								R/W	
	51	TID_SERIAL (Byte 5)								R	
	50	TID_SERIAL (Byte 4)								R	
	49	TID_SERIAL (Byte 3)								R	
	48	TID_SERIAL (Byte 2)								R	
	47	TID_SERIAL (Byte 1)								R	
	46	TID_SERIAL (Byte 0)								R	
	45	0x00								R	
	44	0x20								R	
	43	TID_MODEL [7 : 0] = 01010000 ₂								R	
	42	TID_DESIGNER [3 : 0] = 0001 ₂				TID_MODEL [11 : 8] = 0001 ₂				R	
	41	XTID = 1	TID_DESIGNER [10 : 4] = 0000000 ₂ (Gen2 mask designer is address 08 _h to 13 _h)							R	
40	CLASS_ID [7 : 0] = 11100010 ₂								R		
EPC (01 ₂)	39	EPC_PRIVATE								R/W	
	38	EPC_PRIVATE								R/W	
	...	EPC_PRIVATE								R/W	
	24	EPC_PRIVATE								R/W	
	23	NSI [7 : 0]								R/W	
	22	EPC_LENGTH [4 : 0]				UMI	XI (NVM)	NSI [8]		R/W	
Reserved (00 ₂)	21	RFU = 0	WWU = 0	BPL_EN = 0	QT_SR = 0	QT_MEM = 0	DCI_RF_EN = 0	RF2_DIS = 0	RF1_DIS = 0	R/W	
	20	RFU (WRITE as 00000000 ₂)								R/W	
	19	BLOCK_PERMALOCK [8 : 15]								R/W	
	18	BLOCK_PERMALOCK [0 : 7]								R/W	
	17	RESERVED								R	
	...	RESERVED								R	
	10	RESERVED								R	
	9	LOCK_DA	RFU = 0000 ₂				KILL	I2C_ADDR [1 : 0] = 11 ₂			R/W
	8	LOCK_KILL [1 : 0]	LOCK_ACCESS [1 : 0]			LOCK_EPC [1 : 0]		LOCK_USER [1 : 0]		R/W	
	7	ACCESS_PASSWORD								R/W	
	6	ACCESS_PASSWORD								R/W	
	5	ACCESS_PASSWORD								R/W	
	4	ACCESS_PASSWORD								R/W	
3	KILL_PASSWORD								R/W		
2	KILL_PASSWORD								R/W		
1	KILL_PASSWORD								R/W		
0	KILL_PASSWORD								R/W		

Read-Only memory is highlighted in blue. See legend below for memory descriptions.

- “I2C_ADDR” = NVM configurable bits of I2C device address 1101XX0₂, where XX=11₂ by default
- “DCI_RF_EN” = Enables RF when DCI is present
- “QT_MEM” = Selects memory map profile
 - 0: Tag uses private memory map
 - 1: Tag uses public memory map
- “LOCK_DA” = Permalock bit for I2C Device Address
- “QT_SR” = Short Range in open and secured states
- “RF_DIS [1: 0]” = RF disable selectable by port

Table 5: I2C Interface Memory Map in a Word Wise Format

GEN2 BANK NAME	I2C BIT ADDR	BIT ADDRESS														I2C PERM			
		0	1	2	3	4	5	6	7	8	9	A	B	C	D		E	F	
User (11 ₂)	21F0h-21FFh	USER [15 : 0]														W			
														W			
	200h-20Fh	USER [8191 : 8176]														W			
TID (10 ₂)	1F0h-1FFh	EPC_PUBLIC [15 : 0]														W			
														W			
	1A0h-1AFh	EPC_PUBLIC [95 : 80]														W			
	190h-19Fh	TID_SERIAL [15 : 0]														R			
	180h-18Fh	TID_SERIAL [31 : 16]														R			
	170h-17Fh	TID_SERIAL [47 : 32]														R			
	160h-16Fh	TDTS [15 : 0] = 0x2000														R			
	150h-15Fh	TID_DESIGNER [3 : 0] = 0001 ₂	TID_MODEL [11 : 0] = 150 _h												R				
140h-14Fh	CLASS_ID [7 : 0] = 11100010 ₂						XTID = 1	TID_DESIGNER [10 : 4] = 0000000 ₂ (Gen2 mask designer is address 08 _h to 13 _h)						R					
EPC (01 ₂)	130h-13Fh	EPC_PRIVATE [15 : 0]														W			
														W			
	C0h-CFh	EPC_PRIVATE [127 : 112]														W			
	B0h-BFh	EPC_LENGTH [4 : 0]	UMI	XI = 0	NSI [8 : 0] (Numbering System Identifier, default 0000000002)										W				
Reserved (00 ₂)	A0h-AFh	RFU = 0										WWU	BPL_EN	QT_SR	QT_MEM	DCI_RF_EN	RF2_DIS	RF1_DIS	W
	90h-9Fh	BLOCK_PERMALOCK [0 : 15]														W*			
	80h-8Fh	RESERVED														R			
	70h-7Fh	RESERVED														R			
	60h-6Fh	RESERVED														R			
	50h-5Fh	RESERVED														R			
	40h-4Fh	LOCK_KILL [1 : 0]	LOCK_ACCESS [1 : 0]	LOCK_EPC [1 : 0]	LOCK_USER [1 : 0]	LOCK_DA	RU = 0					KILL	I2C_ADDR [1 : 0]	W					
	30h-3Fh	ACCESS_PASSWORD [15 : 0]														W			
	20h-2Fh	ACCESS_PASSWORD [31 : 16]														W			
	10h-1Fh	KILL_PASSWORD [15 : 0]														W			
00h-0Fh	KILL_PASSWORD [31 : 16]														W				

Read-Only memory is highlighted in blue. See legend below for memory descriptions.

- “W*” = Bits are writable from I2C but some are sticky. See Monza X-8K Dura I2C and Gen2 BlockPermalock for details.

- “BLOCK_PERMALOCK[0:15]” = BlockPermalock bits
- “DCI_RF_EN” = Enables RF when DCI is present
- “QT_MEM” = Selects memory map profile
 - 0: Tag uses private memory map
 - 1: Tag uses public memory map
- “I2C_ADDR” = NVM configurable bits of I2C device ID
- “QT_SR” = Short Range in open and secured states
- “RF_DIS [1: 0]” = RF disable selectable by port

2.6 I2C Control of Monza X-8K Dura Behavior

The I2C interface can control Monza X-8K Dura behavior by writing to bytes 8 or 9, 18 or 19, 20 or 21 and 22 or 23. The following sections describe how control bits in these words change the behavior.

2.7 Monza X-8K Dura I2C and Gen2 Lock Bits

The lock bits for the kill password (LOCK_KILL[1:0]), the access password LOCK_ACCESS[1:0]), the EPC memory bank (LOCK_EPC[1:0]), and the USER memory bank (LOCK_USER[1:0]) are in byte eight of memory. In each of these lock bit pairs bit 1 corresponds to pwd-write or pwd-read/write and bit 0 corresponds to the permalock bit. Note that the I2C can always change the state of these bits and that their permissions only apply to the RF Gen2 interface.

Table 6: Lock Bit-Field Functionality for EPC and User Memory Banks

PWD-WRITE	PERMALOCK	DESCRIPTION
0	0	Associated memory bank is writeable from either the open or secured states.
0	1	Associated memory bank is permanently writeable from either the open or secured states and may never be locked.
1	0	Associated memory bank is writeable from the secured state but not from the open state.
1	1	Associated memory bank is not writeable from any state.

Table 7: Lock Bit-Field Functionality for Access and Kill Passwords

PWD-READ/WRITE	PERMALOCK	DESCRIPTION
0	0	Associated password location is readable and writeable from either the open or secured states.
0	1	Associated password location is permanently readable and writeable from either the open or secured states and may never be locked.
1	0	Associated password location is readable and writeable from the secured state but not from the open state.
1	1	Associated password location is not readable or writeable from any state.

2.8 Monza X-8K Dura I2C and Gen2 BlockPermalock

Monza X-8K Dura segments user memory into 16 blocks. Blocks zero through 15 may be blockpermalocked from either the Gen2 interface or the I2C interface. A blockpermalocked block allows reads but not writes to the block. Blockpermalocking is permanent for blocks one through 15 and may not be unlocked from either interface. The blockpermalock may be undone for block zero from the I2C interface and I2C ignores the blockpermalock permission for block zero.

The 16 blocks as seen from the I2C interface are shown in Table 8. The figure includes the Gen 2 User memory bank bit addresses of the blocks and the I2C byte addresses of the blocks. Note that a large portion of the User memory bank has no permalock blocks. Please see the Gen2 specification for details on how a reader may lock the memory via *BlockPermalock* command.

Table 8: BlockPermalock Blocks as Seen from the I2C Interface

USER MEMORY BANK BIT RANGE	BLOCKS	I2C BLOCK PERMA LOCKABLE	GEN2 BLOCK PERMA LOCKABLE
3584 - 8191	Rest of User Memory (No BlockPermalock Blocks)	No	No
3456 - 3583	BLOCK 15 (128 bits)	Yes	Yes
3328 - 3455	BLOCK 14 (128 bits)	Yes	Yes
3200 - 3327	BLOCK 13 (128 bits)	Yes	Yes
3072 - 3199	BLOCK 12 (128 bits)	Yes	Yes
2944 - 3071	BLOCK 11 (128 bits)	Yes	Yes
2816 - 2943	BLOCK 10 (128 bits)	Yes	Yes
2688 - 2815	BLOCK 9 (128 bits)	Yes	Yes
2560 - 2687	BLOCK 8 (128 bits)	Yes	Yes
2432 - 2559	BLOCK 7 (128 bits)	Yes	Yes
2304 - 2431	BLOCK 6 (128 bits)	Yes	Yes
2176 - 2303	BLOCK 5 (128 bits)	Yes	Yes
2048 - 2175	BLOCK 4 (128 bits)	Yes	Yes
1536 - 2047	BLOCK 3 (512 bits)	Yes	Yes
1024 - 1535	BLOCK 2 (512 bits)	Yes	Yes
512 - 1023	BLOCK 1 (512 bits)	Yes	Yes
0 - 511	BLOCK 0 (512 bits)	No	Yes

The mechanism for a microprocessor permalocking over I2C is as follows: Execute a one-word (2 byte) write to bytes 18 and 19 (word address nine). There are sixteen blockpermalock bits in bytes 18 and 19 that control the write permission to the 16 user-memory blocks. Monza X-8K Dura will bitwise OR each of the current permalock bits with the 15 bits corresponding to blocks one through 15 and write the updated word into NVM. Block zero may be unlocked via the I2C interface. Monza X-8K Dura does not allow unlocking of blockpermalocked memory in blocks one through 15 via either the Gen2 interface or I2C interface.

To control the Gen2 interface access to the *BlockPermalock* command the I2C interface will have a *BlockPermalock* command enable bit that only it can write to. When the bit BPL_EN is set to 1, Monza X-8K Dura will execute valid *BlockPermalock* commands and when it is cleared it will ignore all *BlockPermalock* commands. The location of the BPL_EN bit is in bit five of byte 21 (default value is 0).

2.9 Monza X-8K Dura I2C Control of LOCK_DA and I2C_ADDR[1:0] Bits

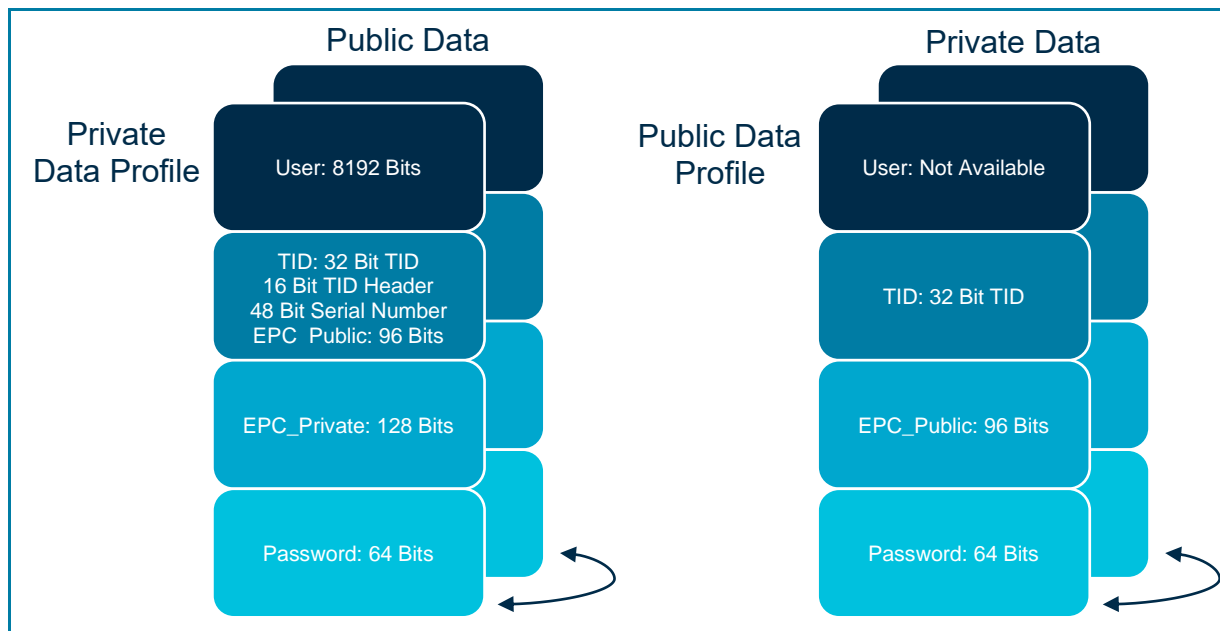
The I2C_ADDR[1:0] bits in byte 9 contain the I2C device address bits D2 and D1 respectively. These bits are meant to be reconfigurable in order to avoid address conflicts on the I2C bus, allowing four different address possibilities. The factory default value for these bits is 11_b, corresponding to a default I2C slave

address of 1101110_b. The LOCK_DA bit is a permalock bit that should be set once the I2C device address is selected. The I2C_ADDR[1:0] and LOCK_DA bits are configurable only via I2C, not RF. Once the LOCK_DA bit is set to 1 the value of the LOCK_DA bit and I2C_ADDR[1:0] are preserved by the chip during all writes to bytes 8 and 9.

2.10 Monza X-8K Dura Control of the QT Function

The QT_SR and QT_MEM bits control in byte 21 control the QT functionality of Monza X-8K Dura. They have no effect on I2C operation and only change RF Gen2 behavior. The two bits operate independently from each other. The bits may be changed via the QT command over RF or by writing to the bits via I2C (default values are both 0). The QT_SR bit turns on Monza X-8K Dura’s short-range mode when it is set. When Monza X-8K Dura is in short range, operations in OPEN or SECURED states are required to be close to the reader. Note, however, that if the Monza X-8K Dura antenna has a gain < -9dBi, there will be no OPEN or SECURED access through the RF port when the QT_SR bit is set. The QT_MEM bit controls how Monza X-8K Dura’s memory appears to the Gen2 interface. When the bit is set Monza X-8K Dura is in public mode: user memory bank is hidden, TID serialization is hidden, and uses its EPC_PUBLIC in the EPC bank. When the bit is cleared Monza X-8K Dura is in private mode and all of its memory is exposed. The memory map in Figure 6 shows the Monza X-8K Dura memory in both private and public data profiles.

Figure 6: Monza X-8K Dura QT Memory Profiles



These are the memory profiles that can be configured using the QT command. In the Private Data Profile, all the tag chip memory is available. In the Public Data Profile, only Public EPC is available, along with the TID header.

Table 9: QT Command Code

COMMAND	CODE	LENGTH (BITS)	DETAILS
QT	1110000000000000	68	<ul style="list-style-type: none"> The QT command controls the switching between the Private and Public profiles The tag must be in the SECURED state to transition to the memory indicated by the command If a tag receives a QT command with an invalid handle, it ignores that command The tag responds with the Insufficient Power error code if the power check fails on write The tag responds with the Other error code if the write times out

Table 10: QT Command Details

QT COMMAND	CODE	READ/WRITE	PERSISTENCE	RFU	PAYLOAD	RN	CRC-16
#bits	16	1	1	2	16	16	16
Details	1110000000000000	0: Read 1: Write	0: Temporary 1: Permanent	00 _b	QT Control	handle	

Table 11: QT Command Field Descriptions

FIELD	DESCRIPTION												
Read/Write	<ul style="list-style-type: none"> The Read/Write field indicates whether the tag reads or writes QT control data. Read/Write=0 means read the QT control bits in cache. Read/Write=1 means write the QT control bits 												
Persistence	<ul style="list-style-type: none"> If Read/Write=1, the Persistence field indicates whether the QT control is written to nonvolatile (NVM) or volatile memory. Persistence=0 means write to volatile memory. Persistence=1 means write to NVM memory 												
RFU	<ul style="list-style-type: none"> These bits are reserved for future use and will be ignored. 												
Payload (QT Control)	<ul style="list-style-type: none"> This field controls the QT functionality. These bits are ignored when the Read/Write field equals Bit 15 (MSB) is first transmitted bit of the payload field. <table border="1"> <thead> <tr> <th>BIT #</th> <th>NAME</th> <th>DESCRIPTION</th> </tr> </thead> <tbody> <tr> <td>15</td> <td>QT_SR</td> <td>1: Tag reduces range if in or about to be in OPEN or SECURED state 0: Tag does not reduce range</td> </tr> <tr> <td>14</td> <td>QT_MEM</td> <td>1: Tag uses Public Memory Map (see Figure 6) 0: Tag uses Private Memory Map (see Figure 6)</td> </tr> <tr> <td>13:0</td> <td colspan="2">Reserved for future use. Tag will return these bits as zero.</td> </tr> </tbody> </table>	BIT #	NAME	DESCRIPTION	15	QT_SR	1: Tag reduces range if in or about to be in OPEN or SECURED state 0: Tag does not reduce range	14	QT_MEM	1: Tag uses Public Memory Map (see Figure 6) 0: Tag uses Private Memory Map (see Figure 6)	13:0	Reserved for future use. Tag will return these bits as zero.	
BIT #	NAME	DESCRIPTION											
15	QT_SR	1: Tag reduces range if in or about to be in OPEN or SECURED state 0: Tag does not reduce range											
14	QT_MEM	1: Tag uses Public Memory Map (see Figure 6) 0: Tag uses Private Memory Map (see Figure 6)											
13:0	Reserved for future use. Tag will return these bits as zero.												
RN	<ul style="list-style-type: none"> The tag will ignore any QT command received with an invalid handle 												

The tag response to the QT Command with Read/Write = 0 uses the preamble specified by the Text value in the Query command that initiated the round. See Figure 6 for read response details.

Table 12: QT Command Details

	HEADER	DATA	RN	CRC-16
#bits	1	16	16	16
Description	0	QT Control	handle	

2.11 Monza X-8K Dura I2C Control of Gen2 Response to Ack Command

The length field in byte 22 may be written from I2C. The length field specifies the number of words backscattered in response to a Gen2 Ack command. Byte 22 also contains an NVM space for the UMI bit which may be read or written from I2C. For the Monza X-8K, the Gen2 UMI bit is fixed at 0. The I2C master

may also do this to indicate that there is data in the user memory bank for the reader to read. The XI bit is always backscattered as a zero to the Gen2 reader even though the I2C master may read the underlying NVM bit.

2.12 RF Access Control

Monza X-8K Dura provides three levels of control over RF access as follows:

1. Setting either or both the RF2_DIS or RF1_DIS bits in byte 21 of the NVM disables RF access on the corresponding RF port. These bits are configurable only via I2C, not RF. The factory defaults are 0, enabling RF1 and RF2.
2. Setting the DCI_RF_EN bit to 0 in byte 21 of the NVM inhibits all RF access when DCI voltage is present. This takes precedence over the state of the RF1_DIS, RF2_DIS bit in #1 above. This bit is also only configurable from I2C, not RF. This bit is set by factory default to 0. Thus, by default, there is RF access to RF1, RF2 when DCI voltage is NOT present and no RF access when DCI voltage is present. The specification V_{RFON} determines the DCI voltage that inhibits RF.
3. Setting the KILL bit 2 in byte 9 of the NVM will inhibit all RF access. This bit can be set from RF using a Gen2 KILL command or by writing from I2C. This is the normal mechanism for a reader to disable a chip. This KILL bit takes precedence over both #1 and #2 above. I2C can re-write this bit back to 0 and thus reverse and RF KILL command. The factory default for KILL is 0.

The factories defaults are set so Monza X-8K Dura operates like any other RFID tag when DCI voltage is not present. When DCI voltage is present the default behavior, through mechanism #2 above, is to inhibit all RF access. The KILL bit is always set to 0 at the factory by Gen2 definition. In conventional RFID chips once this bit is set to 1 a chip is dead and can never be resurrected. Monza X-8K Dura, having a hard wired I2C interface, allows un-doing the KILL operation from I2C.

2.13 Gen2/I2C Arbitration

Monza X-8K Dura can communicate via RF and via I2C. If Monza X-8K Dura is connected to an antenna and I2C Master with high DCI voltage, Monza X-8K Dura requires arbitration to determine how to respond to commands. Monza X-8K Dura can be configured to enable or disable RF communication when DCI voltage is high by setting the bit DCI_RF_EN to 0 or 1. If the DCI_RF_EN bit is set to 1, then Monza X-8K Dura can operate in three different states as shown in Figure 7. The states are “*Internal Control*”, “*I2C Control*”, and “*Idle or RF Receive*”. If the DCI_RF_EN bit is set to 0 then RF will be disabled when DCI voltage is high allowing only I2C communication with the chip. Monza X-8K Dura won’t respond to RF commands when in the *Idle or RF Receive* state under these conditions.

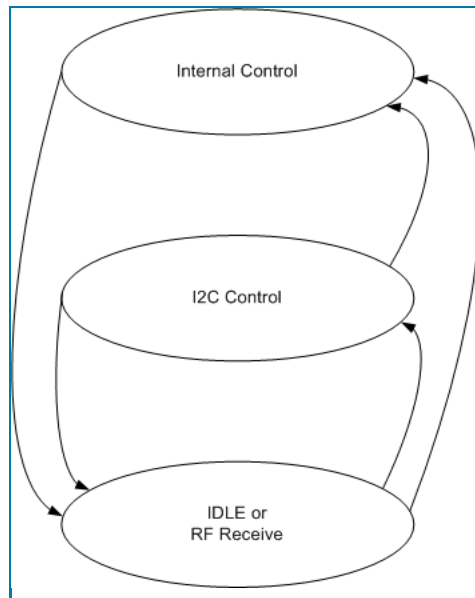
Internal Control: Monza X-8K Dura is in *Internal Control* when (1) executing an initialization sequence, (2) writing the NVM or (3) backscattering a response to an RF command. When in *Internal Control* Monza X-8K Dura ignores I2C transactions or RF commands.

I2C Control: Monza X-8K Dura is in *I2C Control* when a master is issuing commands to Monza X-8K Dura over the I2C bus. I2C Control starts when Monza X-8K Dura detects a matching device ID and is not under *Internal Control*. The I2C bus master releases control of Monza X-8K Dura either by ending a transaction with a stop bit or by issuing a subsequent start with a non-matching device ID. If Monza X-8K Dura was commanded to perform an NVM write then it moves to *Internal Control*, otherwise it returns to idle. When in *I2C Control* Monza X-8K Dura ignores all RF commands. Note that the master may stall the I2C bus (by holding SCL low) in the middle of a transaction and prevent RF access until releasing the bus.

Idle or RF Receive: Monza X-8K Dura is in *Idle or RF Receive* when receiving an RF command or when idle. After receiving a command Monza X-8K Dura transitions to *Internal Control* to execute the command. Executing a command may cause Monza X-8K Dura to (1) backscatter a reply (2) write to NVM or (3) change internal states. An I2C transaction may interrupt Monza X-8K Dura in *Idle or RF Receive*— by this means the I2C port exercises priority over the RF port and may not be locked out. Note that I2C is locked out when Monza X-8K Dura transitions to *Internal Control* to execute the command.

In certain operating states and under certain conditions Monza X-8K Dura may appear unresponsive to an I2C master for up to 20 milliseconds (during a slow Gen2 backscatter). This datasheet recommends that an I2C master have a retry algorithm that can accommodate Monza X-8K Dura being busy.

Figure 7: Monza X-8K Dura Operating States

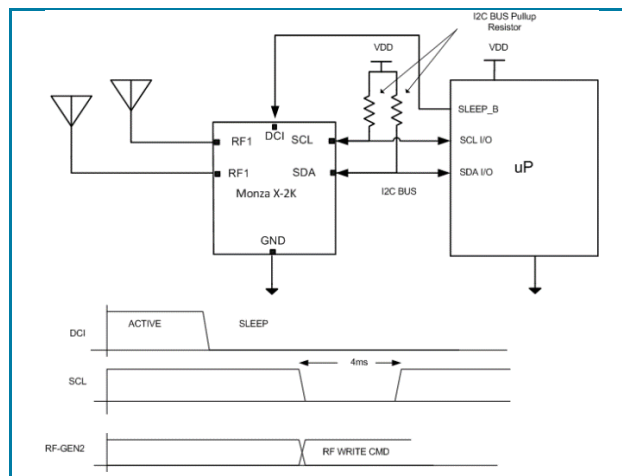


This diagram shows the operating states when Monza X-8K Dura is connected to both an antenna and an I2C master with high DCI voltage.

2.14 Write Wakeup Mode

Monza X-8K Dura has a wake-up feature that is tied to writes being performed over the Gen2 interface. This feature allows Monza X-8K Dura to trigger an event that may be used to wake up a device. To enable this feature, the I2C master must set the WWU bit (bit 6 of byte 21) to 1 (default value is 0). Then the master must set the Monza X-8K Dura's DCI pin to 0V (i.e. sleep mode). The SCL and SDA lines must remain high, but will draw no current. A reader may continue to interact with Monza X-8K Dura on the RF ports. If a reader performs a write operation, and the wake-up bit is set, Monza X-8K Dura will assert the SCL I/O pulling the SCL line low for the duration of the write operation, approximately 4ms. This transition is detectable by the sleeping master and may be used to wake up the system.

Figure 8: Monza X-8K Dura Write Wakeup Mode Schematic and Timing Diagram



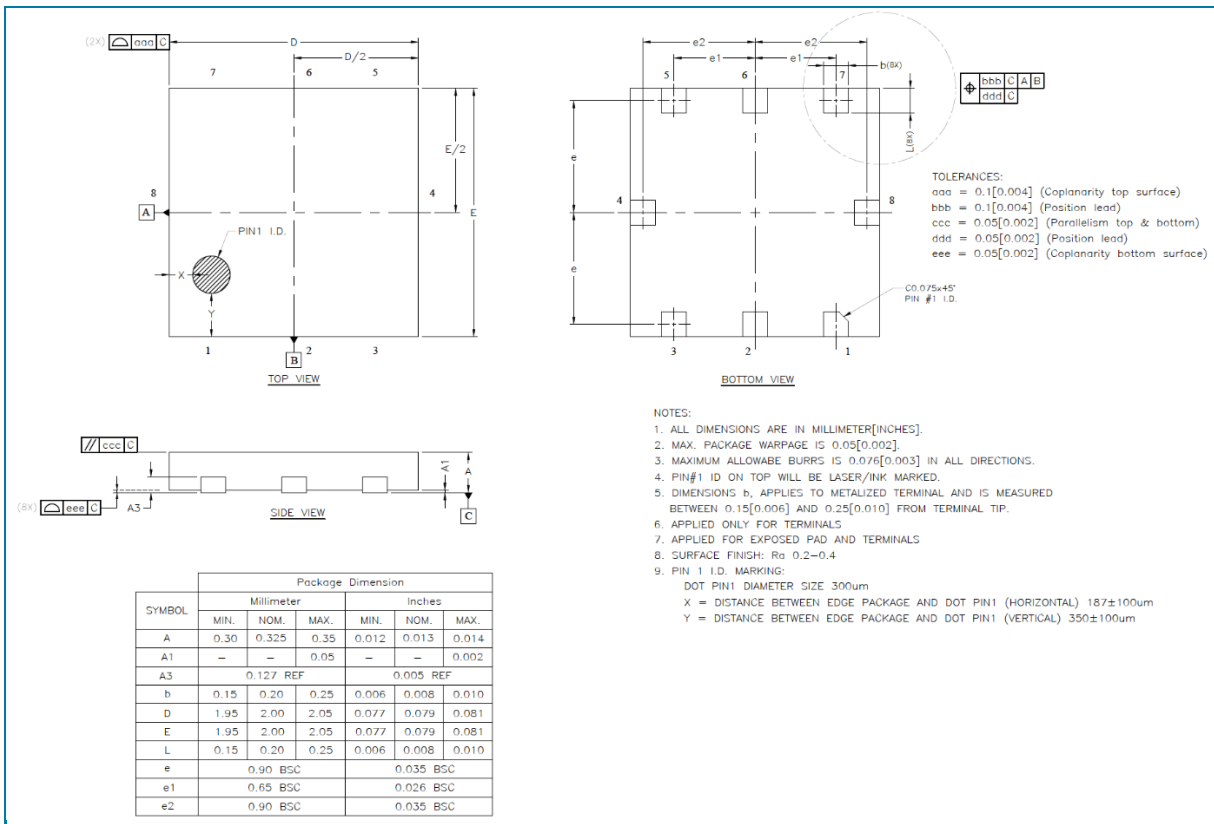
3 CHIP CHARACTERISTICS

3.1 Physical Characteristics

Table 13: Packaging Information

PARAMETER	DESCRIPTION	CONDITION	MIN	NOM	MAX	UNITS	COMMENTS
IC package	Chip package	All	XQFN 8L 2.00x2.00x0.35mm				
Pin count	Package pins	All		8		pins	2 – Port1 RF+/- 2 – Port2 RF+/- 2 – DCI/gnd 2 – I2C(SDA/SCL)

Figure 9: Mechanical Dimensions*



*The position of the Pin1 I.D. marking dot in the Mechanical Dimensions is specified for Monza X-8K Dura chips manufactured on or after date code "1807" as shown on the package box label, or "807" as shown on the product markings (see Product Delivery Specifications). Parts produced before this date code have a Pin1 I.D. marking positioned 100um closer to the vertical center line (B) of the package.

3.2 Absolute Maximum Ratings

Table 14: Absolute Maximum Ratings – Passive Mode

PARAMETER	DESCRIPTION	CONDITION	MIN	NOM	MAX	UNITS	COMMENTS
Absolute maximum pin voltage	Absolute maximum voltage on any chip pin	All except DCI	-0.3		4.1	V	From the I2C spec, the max DC voltage is 3.3V+20% (max operating voltage) + 0.5V for survivability
ESD		HBM	2			kV	
		CDM	500			V	
Operating Temperature	Temperature for full specified performance		-25		+95*	°C	See Read/Write Sensitivity for temperature ranges in Section 3.4
Persistence Temperature	Temperature for Gen2 flag persistence		-25		+40	°C	As per the Gen2 v.1.2.0 specification for flag persistence
Storage temperature	Temperature for 10-year NVM retention		-40		+95*	°C	See Impinj's NVM usage model
Assembly survival temp	Temperature for reflow soldering / assembly				+260	°C	Peak temp of JEDEC-MO255 for lead free soldering
Moisture Sensitivity Level	Moisture/Reflow Sensitivity Classification			MSL1			According to IPC/JEDEC's J-STD-20

*Maximum Operating/Storage temperature of +95 °C is specified for Monza X-8K Dura chips manufactured on the last week of September 2017 or later, which is date code "1739" or newer on the package box label, and "739" or newer on the product markings (see Product Delivery Specifications). Parts produced before this date are rated to a maximum Operating/Storage temperature of +85°C.

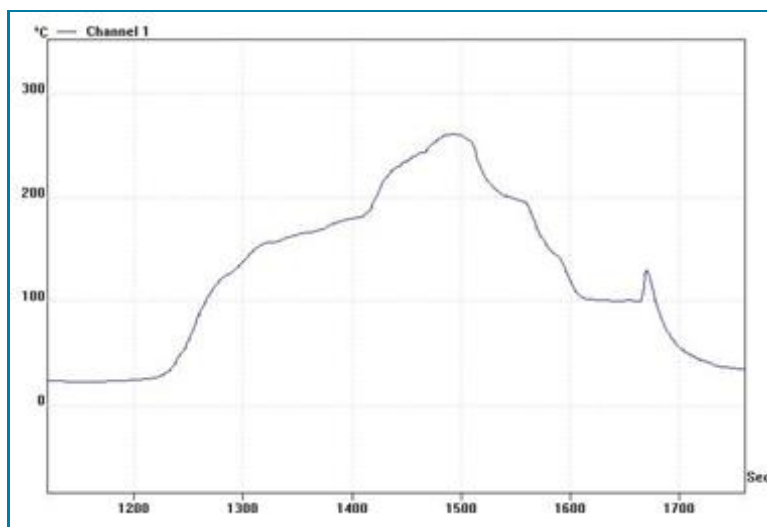
Table 15: Absolute Maximum Ratings – Battery Assisted Passive (BAP) Mode

PARAMETER	DESCRIPTION	CONDITION	MIN	NOM	MAX	UNITS	COMMENTS
Absolute maximum pin voltage	Absolute maximum voltage on any chip pin	All except DCI	-0.3		4.1	V	From the I2C spec, the max DC voltage is 3.3V+20% (max operating voltage) + 0.5V for survivability
ESD		HBM	2			kV	
		CDM	500			V	
Operating Temperature	Temperature for full specified performance		0		+95*	°C	See Read/Write Sensitivity for temperature ranges in Section 3.4
Persistence Temperature	Temperature for Gen2 flag persistence		0		+40	°C	As per the Gen2 v.1.2.0 specification for flag persistence
Storage temperature	Temperature for 10-year NVM retention		-40		+95*	°C	See Impinj's NVM usage model
Assembly survival temp	Temperature for reflow soldering / assembly				+260	°C	Peak temp of JEDEC-MO255 for lead free soldering
Moisture Sensitivity Level	Moisture/Reflow Sensitivity Classification			MSL1			According to IPC/JEDEC's J-STD-20

*Maximum Operating/Storage temperature of +95 °C is specified for Monza X-8K Dura chips manufactured on the last week of September 2017 or later, which is date code "1739" or newer on the package box label, and "739" or newer on the product markings (see Product Delivery Specifications). Parts produced before this date are rated to a maximum Operating/Storage temperature of +85°C.

3.3 Reflow Temperature Profile

Figure 10: Reflow Temperature Profile



3.4 Electrical Characteristics

Table 16: Electrical Characteristics – RF Performance, Passive

PARAMETER	DESCRIPTION	CONDITION	MIN	NOM	MAX	UNITS	COMMENTS
S_{READ}	Matched RF Input Read Sensitivity DRM, M=4	Passive		-17		dBm	Using DC Input, Monza X-8K Dura can be used in Battery Assisted Passive (BAP) mode to increase read/write range
S_{WRITE}	Matched RF Input Write Sensitivity DRM, M=4	Passive		-12		dBm	
R_p	Parallel Equivalent Real Input Impedance	At Sensitivity		1600		Ohms	
C_p	Parallel Equivalent RF Input Capacitance			1		pF	

Table 17: Electrical Characteristics – RF Performance, BAP

PARAMETER	DESCRIPTION	CONDITION	MIN	NOM	MAX	UNITS	COMMENTS
S_{READ}	Matched RF Input Read Sensitivity DRM, M=4	BAP		-24		dBm	Using DC Input, Monza X-8K Dura can be used in Battery Assisted Passive (BAP) mode to increase read/write range
S_{WRITE}	Matched RF Input Write Sensitivity DRM, M=4	BAP		-24		dBm	
R_p	Parallel Equivalent Real Input Impedance	At Sensitivity		1600		Ohms	
C_p	Parallel Equivalent RF Input Capacitance			1		pF	

Table 18: Electrical Characteristics – Power

PARAMETER	DESCRIPTION	CONDITION	MIN	NOM	MAX	UNITS	COMMENTS
V_{DCI}	DCI Input Voltage/I2C Reference	25 C to 95 C	1.4*		3.6	V	
		-40 C to 25 C	1.6		3.6		
I_{DCW}	Current drawn by chip during write	$1.4 < V_{DCI} < 2.0$		100	200	μA	
		$2.0 < V_{DCI} < 3.6$		140	220		
I_{DCI}	Current drawn by chip during read or idle	$1.4 < V_{DCI} < 2.0$		15	30	μA	
		$2.0 < V_{DCI} < 3.6$		20	40		
T_{PU}	Power Up Time. Time from VDCI applied until I2C accepts transactions.	$V_{DCI} = 1.6V$			2	ms	NOTE: I2C will not interrupt a write operation. This could delay I2C access up to 20ms if RF is writing.
V_{RF_EN}	Max Vdd for which RF will always be enabled				0.25	V	Applies if the DCI_RF_EN bit is set to 0.
V_{RF_DIS}	Min Vdd for which RF will always be disabled		1.35			V	

* DCI voltage minimum of 1.4V is specified for Monza X-8K Dura chips manufactured on the last week of September 2017 (work week 39) or later, which is date code "1739" or newer on the package box label, and "739" or newer on the product markings (see Product Delivery Specifications). Parts produced before this date are rated to a minimum DCI voltage of 1.6V.

Table 19: Electrical Characteristics – I2C

PARAMETER	DESCRIPTION	CONDITION	MIN	NOM	MAX	UNITS	COMMENTS
V _{IH}	HIGH-level input voltage	All	70%			%V _{DCI}	From the section 6 of the I2C specification
V _{IL}	LOW-level input voltage	All			30%	%V _{DCI}	
V _{HYS}	Input hysteresis	All	0.1			V	
V _{OL1}	Low Level output voltage 1	3mA sink current, V _{DCI} > 2V	0		0.4	V	(open-drain or open-collector) at 3mA sink current
V _{OL2}	Low Level output voltage 2	2mA sink current, V _{DCI} ≤ 2V	0		0.2 × V _{DCI}	V	(open-drain or open-collector) at 2mA sink current
T _{OF}	Output Fall Time	Bus C= 40-400pf	20		250	ns	
C _i	Pin Capacitance				10	pF	Total capacitive load on the SDA/SCL pins
I _{IL}	SCL/SDA Input Leakage Current	V _{in} =3.7V 0V < V _{DCI} < 3.7V		1	100	nA	Within I2C spec limit of 10uA

3.5 Memory Characteristics

Table 20: Memory Characteristics

PARAMETER	DESCRIPTION	CONDITION	MIN	NOM	MAX	UNITS	COMMENTS
EPC Memory	EPC NVM	In Private Mode Only		128		Bits	User writeable. This memory is hidden over RF when QT is enabled.
User Memory	Total User NVM	In Private Mode Only		8192		Bits	User defined memory space. This memory is hidden over RF when QT is enabled
QT alternative EPC	Alternative EPC presented during RF singulation	In public mode only		96		bits	A user can switch the tag's RF QUERY-ACK response from EPC to alternative EPC using the QT command
Kill/Access Passwords	Password NVM	Access required		64		bits	Standard 32-bit Gen2 access and kill passwords
TID mfg#/serial#	TID ROM	In private mode only		96		bits	TID serial number is hidden over RF when QT is enabled
T _{write}	Memory write time, 16 or 32 bits			4.7	5	Ms	

3.6 RF Functionality

Table 21: RF Functionality

PARAMETER	DESCRIPTION	CONDITION	MIN	NOM	MAX	UNITS	COMMENTS
Air protocol	Gen2 V1.2.0	All					No recommissioning; no BlockErase
RF ports	Number of RF ports	All		2			Dual-differential RF ports
RF Port Disable	NVM Settable bit per port						The operation of one or both RF ports may be disabled by setting NVM bits through the I2Cport
DC Blocks RF	NVM Settable bit						Option to allow the presence of DC to disable both RF ports

3.7 I2C Characteristics

Table 22: I2C Characteristics

PARAMETER	DESCRIPTION	CONDITION	MIN	NOM	MAX	UNITS	COMMENTS
I2C port	Number of ports	All			1		Slave I2C (SCL/SDA)
I2C functionality	Compatible with I2C-bus specification and user manual Rev. 03 – 19 June 2007	All		R/W			An external device can R/W memory
Supported I2C Bus Protocol Features	Start condition	Supported					Mandatory I2C features for a slave device are supported
	Stop condition	Supported					
	Acknowledge	Supported					
	7-bit slave address	Supported					
I2Cwrite size	Word size for I2C write	All	16		32	bits	Writes are on word addresses and not byte addresses
I2C read size	Word size for I2C read	All		Nx8		bits	May read data 8bits at a time, where N is limited by start address and bank size
I2C memory arbitration	RF/I2C port priority	All		1 st			RF/I2C arbitrate for NVM access
I2C Address	I2C Device Address	All		1101XX0			XX is I2C_ADDR[1:0]
Transfer rates	I2C transfer data rates	All	0		400	kbps	I2C fast mode

3.8 NVM Usage Model

Table 23: NVM Usage Model

MAXIMUM CONDITION		RETENTION (YEARS)
WRITES PER ROW	TOTAL WRITES	
10	100	50
1k	10k	10
10k	100k	1

Rows are 32 bits long on even word boundaries (i.e., words 0 and 1 are row 0 for user memory).

3.9 Environmental Compliance

Table 24: Environmental Compliance

REQUIREMENT	COMMENTS
RoHS	Monza X-8K Dura is RoHS compliant. It meets the directive 2002/95/EC (RoHS). RoHS declaration letter is available upon request.
REACH	Monza X-8K Dura does not, to our current knowledge, contain substances above the legal threshold that are on the Candidate List of Substances of Very High Concern (SVHC). Our company's intention is that all products sold to our EU and EEA customers by our legal entities in Europe are compliant with REACH regulatory requirements. REACH declaration letter is available upon request.

4 PRODUCT DELIVERY SPECIFICATIONS

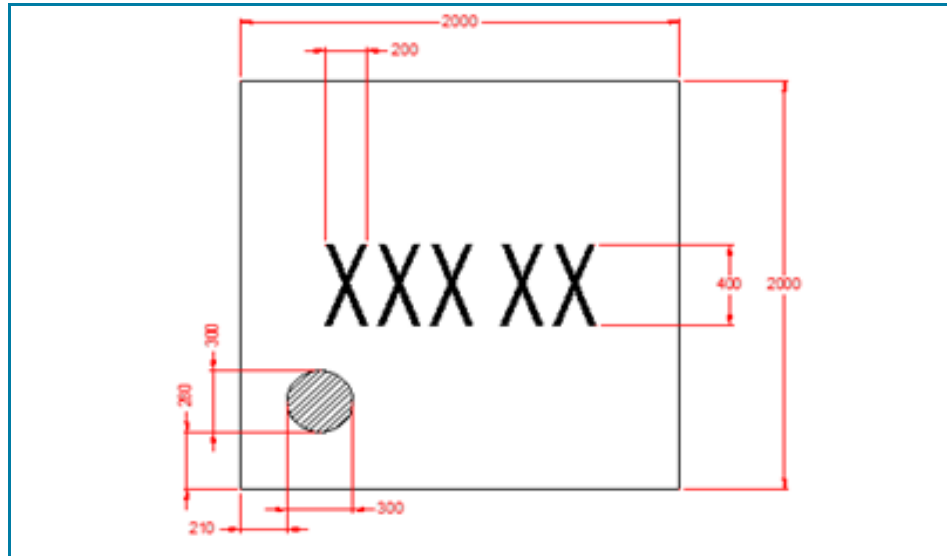
4.1 Markings

4.1.1 Marking Sizes and Tolerances

Table 25: Marking Sizes and Tolerances (Table)

DESCRIPTION	SIZES AND TOLERANCES (μm)		
	MIN	NOM	MAX
Pin 1 Diameter	250	300	350
Pin 1 X Placement	110	210	310
Pin 1 Y Placement	180	280	380
Character Height	350	400	450
Character Width	150	200	250

Figure 11: Marking Sizes Diagram (μm)

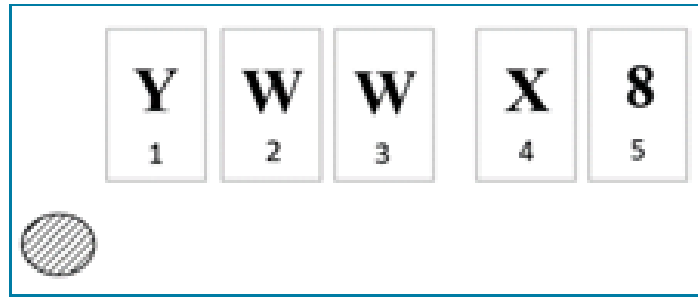


All marking sizes are listed in μm .

4.1.2 Marking Specification

- Y= Year of production (e.g. 0 = 2020, 1 = 2021...)
- WW = Work Week of production
- X8 = Product Code (Monza X-8K Dura)

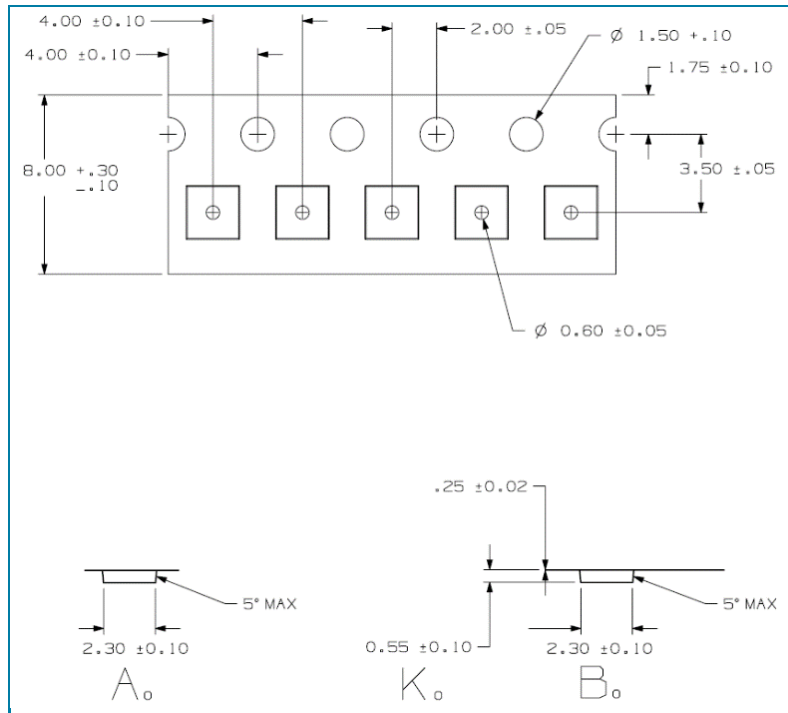
Figure 12: Marking Specifications



This is the Product Marking as it appears on the Monza X-8K Dura chip. Note that YWW will be replaced with the production year and work week. For example: "012" would represent year 2020 and work week 12.

4.2 Tape and Reel Specification

Figure 13: Tape and Reel Specification



Parts per reel / Minimum order quantity: 3000

Figure 14: Device Orientation on Feed

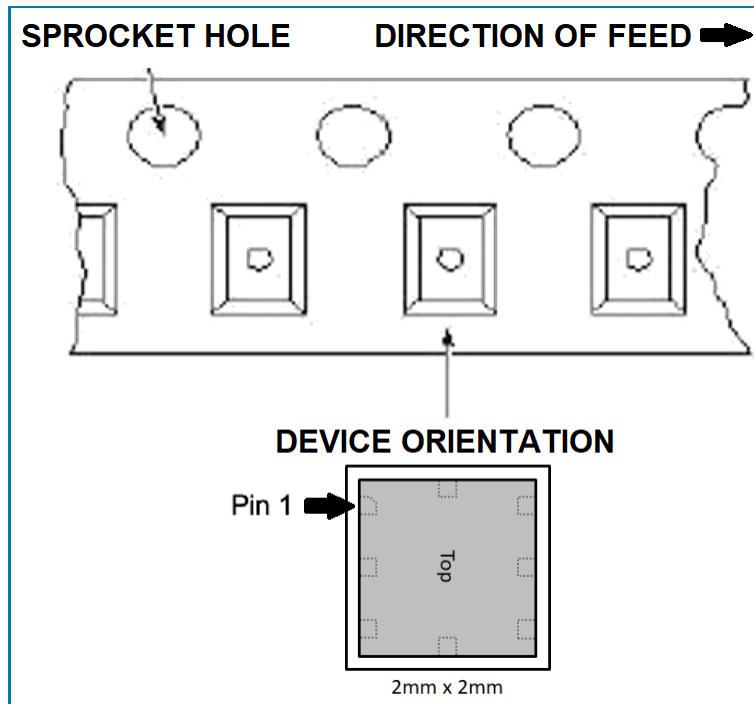
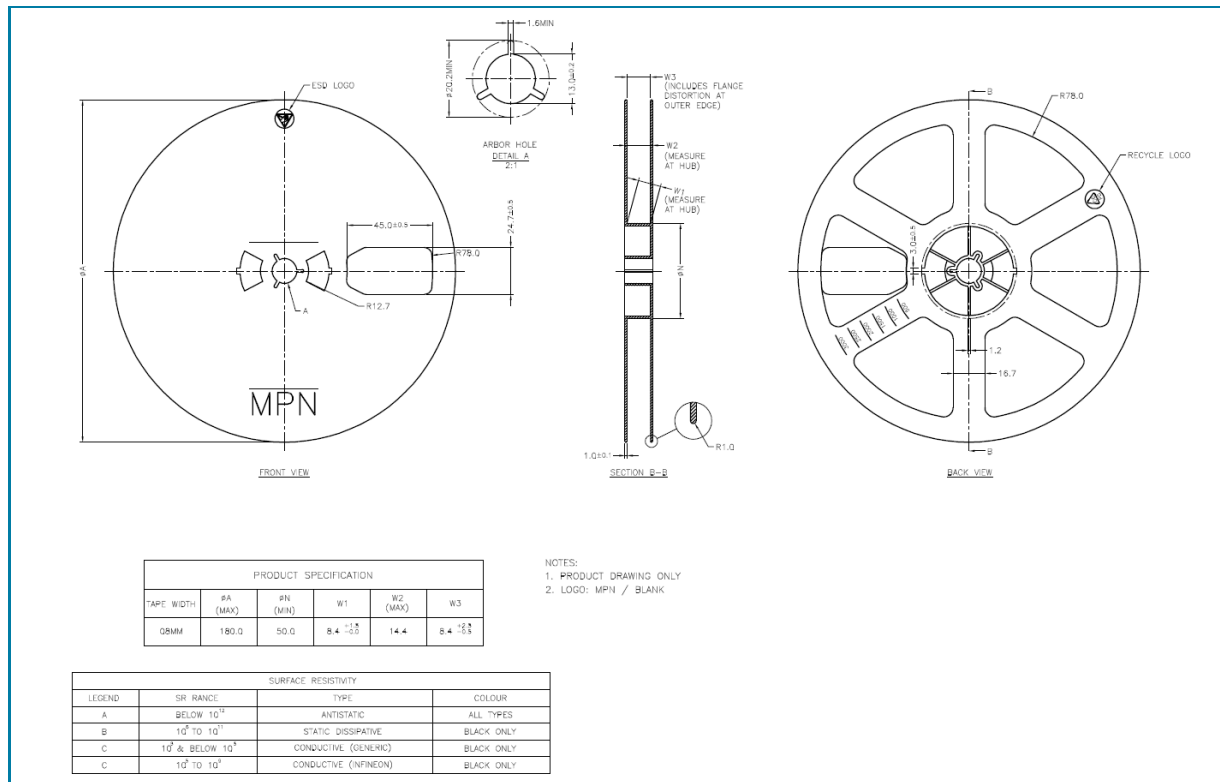


Figure 15: Reel Dimensions



5 ERRATA

The following table lists the known issues in Monza X-8K Dura.

Table 26: Errata

ISSUE NUMBER	DESCRIPTION
1	When issuing a Select command to Monza X-8K, the tag will not respond correctly if the last bit of User memory, bit 8191, is used as part of the mask. If this bit is used, the compare against the mask and this bit will not be able to succeed.

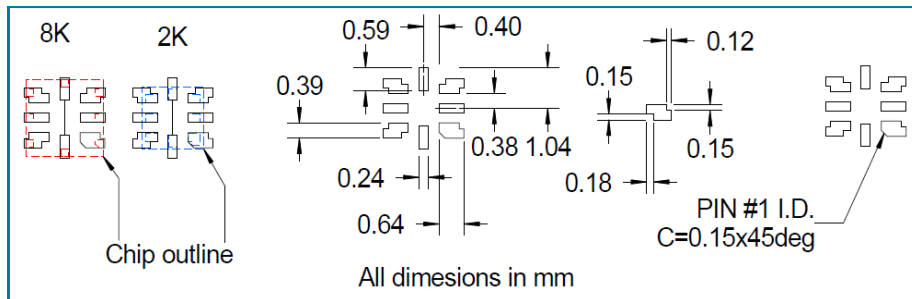
6 FOOTPRINT COMPATIBILITY WITH IMPINJ MONZA® X-2K DURA

Monza X-8K Dura (Part Order#: IPJ-P6005-X2BT) is a higher memory capacity version of Monza® X-2K Dura (Part Order#: IPJ-P6001-Q2AT).

Monza X-2K Dura is designed to have 2176 bits of user NVM, enabling more OTP blocks. Its package dimensions are 1.6 x 1.6 x 0.35 mm. It is designed to be a drop-in replacement for Monza X-8K Dura if the

layout footprint recommended below is used. For more details about the Monza X-2K Dura including product availability, please contact Impinj.

Figure 16: Recommended Common Layout Footprint – Monza X-8K Dura and Monza X-2K Dura



7 ORDERING INFORMATION

Contact sales@impinj.com for ordering support.

Table 27: Ordering Information

MODEL	PART NUMBER	USER MEMORY	PACKAGE SIZE
Monza X-8K Dura	IPJ-P6005-X2BT	8,192 bits	2.0 x 2.0 x 0.35 mm

8 EXTERNAL REFERENCE

¹ Third Party Link: *EPC™ Radio Frequency Identity Protocols Class-1 Generation-2 UHF RFID Protocol for Communications at 860 MHz – 960 MHz, Version 1.2.0 (Gen 2 Specification)* (https://www.gs1.org/sites/default/files/docs/epc/uhfc1g2_1_2_0-standard-20080511.pdf)

² Third Party Link: *GS1's EPC Tag Data Standard* (https://www.gs1.org/sites/default/files/docs/epc/GS1_EPC_TDS_i1_11.pdf)

³ Third Party Link: *EPCglobal Interoperability Test System for EPC Compliant Class-1 Generation-2 UHF RFID Devices v.1.2.4, August 4, 2006* (https://www.gs1.org/docs/epc/uhfg2_1_0_9-TestMethod-Interoperability_1_2_4-20060627.pdf)

⁴ Third Party Link: *I2C Specification Rev. 03, June 19 2007, NXP Doc UM10204* (Latest Version: <https://www.nxp.com/docs/en/user-guide/UM10204.pdf>)

9 NOTICES

Copyright © 2020, Impinj, Inc. All rights reserved.

Impinj gives no representation or warranty, express or implied, for accuracy or reliability of information in this document. Impinj reserves the right to change its products and services and this information at any time without notice.

EXCEPT AS PROVIDED IN IMPINJ'S TERMS AND CONDITIONS OF SALE (OR AS OTHERWISE AGREED IN A VALID WRITTEN INDIVIDUAL AGREEMENT WITH IMPINJ), IMPINJ ASSUMES NO LIABILITY WHATSOEVER AND IMPINJ DISCLAIMS ANY EXPRESS OR IMPLIED WARRANTY, RELATED TO SALE AND/OR USE OF IMPINJ PRODUCTS INCLUDING LIABILITY OR WARRANTIES RELATING TO FITNESS FOR A PARTICULAR PURPOSE, MERCHANTABILITY, OR INFRINGEMENT.

NO LICENSE, EXPRESS OR IMPLIED, BY ESTOPPEL OR OTHERWISE, TO ANY PATENT, COPYRIGHT, MASKWORK RIGHT, OR OTHER INTELLECTUAL PROPERTY RIGHT IS GRANTED BY THIS DOCUMENT.

Impinj assumes no liability for applications assistance or customer product design. Customers should provide adequate design and operating safeguards to minimize risks.

Impinj products are not designed, warranted or authorized for use in any product or application where a malfunction may reasonably be expected to cause personal injury or death, or property or environmental damage ("hazardous uses"), including but not limited to military applications; life-support systems; aircraft control, navigation or communication; air-traffic management; or in the design, construction, operation, or maintenance of a nuclear facility. Customers must indemnify Impinj against any damages arising out of the use of Impinj products in any hazardous uses

Impinj, and Impinj products and features are trademarks or registered trademarks of Impinj, Inc. For a complete list of Impinj Trademarks, visit www.impinj.com/trademarks. All other product or service names may be trademarks of their respective companies.

The products referenced in this document may be covered by one or more U.S. patents. See www.impinj.com/patents for details.