



Electrical Commercial and Industrial

- Products
- Documentation & Literature
- News & Tradeshow
- Support

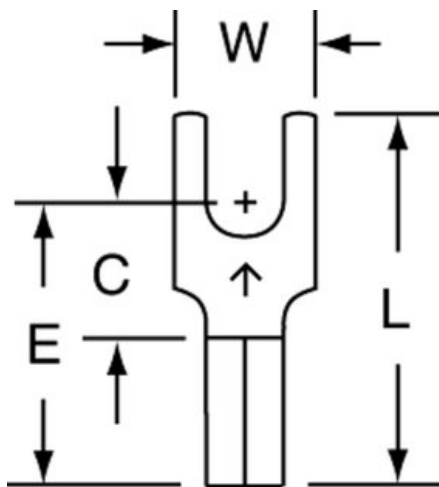
United States > All 3M Products > Market Segments > Electronics, Electrical, and Communications > Electrical Products > Electrical Commercial and Industrial > Products > Electrical Commercial & Industrial Products Catalog > Terminals, Kits and Tools > Terminals > 3M™ Scotchlok™ Block Forks > 3M™ Scotchlok™ Block Fork, Non-Insulated Butted Seam MU18-6FB/SK, Stud Size 8

- [Find An Account Rep](#)
- [Where To Buy \(Find A Distributor\)](#)
- [Contact Us](#)

3M™ Scotchlok™ Block Fork, Non-Insulated Butted Seam MU18-6FB/SK, Stud Size 8

3M ID 80610038160 UPC# 00054007011989 3M Product Number MU18-6FB/SK

[Print](#)



This terminal has a wire range of 22-18 AWG and a stud size of 6. It has case quantities of 1000 per case.

Need Help?

Questions? We can help [Contact Us](#)

Like [Sign Up](#) to see what your friends like.

Overview		Documentation
Specifications		
Agency Approvals	UL and CSA	
Barrel Inside Diameter	0.07 Inch	
Barrel Length	0.25 Inch	
Barrel Style	Butted	
Brand	Scotchlok	
China RoHS - Below MCV	Yes	
Clearance (C)	0.25 Inch	
Conductor Sizes	22 - 18 AWG	
CSA File Number	LR22190	
Dimension E	0.5 Inch	
EU RoHS Compliant	Yes	
Insulation Material	Non-Insulated	
Length (L)	0.65 Inch	
Packaging	1000 per bulk box	
Stud Size	6	
Terminal Style	Block	
Terminal Type	Fork	

Terminal type	FORK
Thickness	0.03 Inch
UL File Number	E23438
Width (W)	0.25 Inch

Manufacturing Origin: USA

The designation that a product is Manufactured in the USA means the product undergoes substantial transformation in one of our U.S. Manufacturing plants. Some products contain imported components.

Note: 3M products offered on a government contract that require country of origin representation must be certified by 3M Trade Compliance. Contact customer service at 800-245-3573 to request a certificate.

3M: [News](#) | [Careers](#) | [Investor Relations](#) | [MSDS Search](#) | [Transport Information Search](#) | [A-Z Product Index](#) | [Contact 3M](#)

[Legal Information](#) | [Privacy Policy](#)

© 3M 2014. All Rights Reserved.

