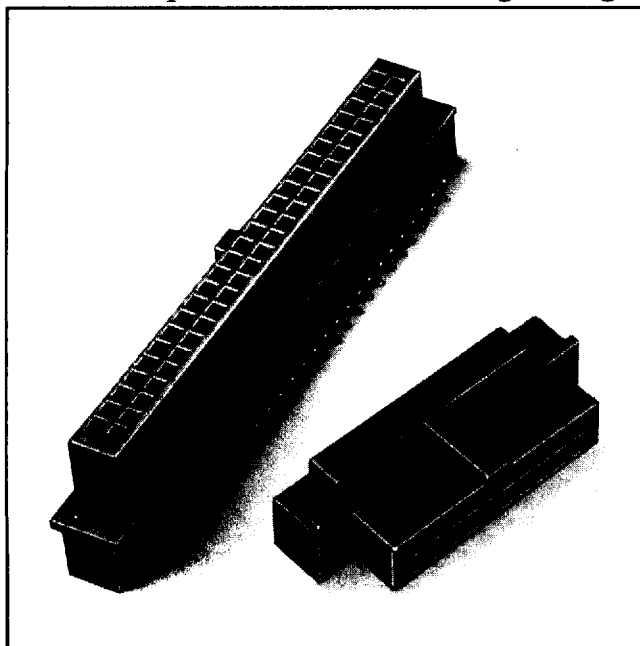


.100" × .100" Polarized Boardmount Socket

Centerbump Polarization with Right Angle Solder Tails

5100 Series



- Centerbump polarization
- Mates with standard low profile shrouded headers
- Part number on each piece
- Optional keying plug
- Eight popular positions
- Mounting flanges

TS-0414-08
Sheet 1 of 2

28

Physical

Insulation

Material: Glass Filled Polyester (PBT)

Flammability: UL 94V-0

Color: Gray

Contact

Material: Copper Alloy

Plating

Underplating & U-Slot: 2 μm [79 μin] Nickel — QQ-N-290, Class 2

Wiping Area: 0.3 μm [12 μin] Gold — MIL-G-45204, Type II, Grade C

Solder Tails: Tin Lead — MIL-P-81728

Marking: 3M Logo, Part Identification Number and Orientation Triangle

Electrical

Current Rating: 1 A

Insulation Resistance: $> 1 \times 10^9 \Omega$ at 500 Vdc

Withstanding Voltage: 1000 Vrms at Sea Level

Environmental

Temperature Rating: -55°C to 105°C

UL File No.: E68080

3M Electronic Products Division D 19F ■ 9035312 0004262 726 ■

<http://www.3M.com/interconnects/>

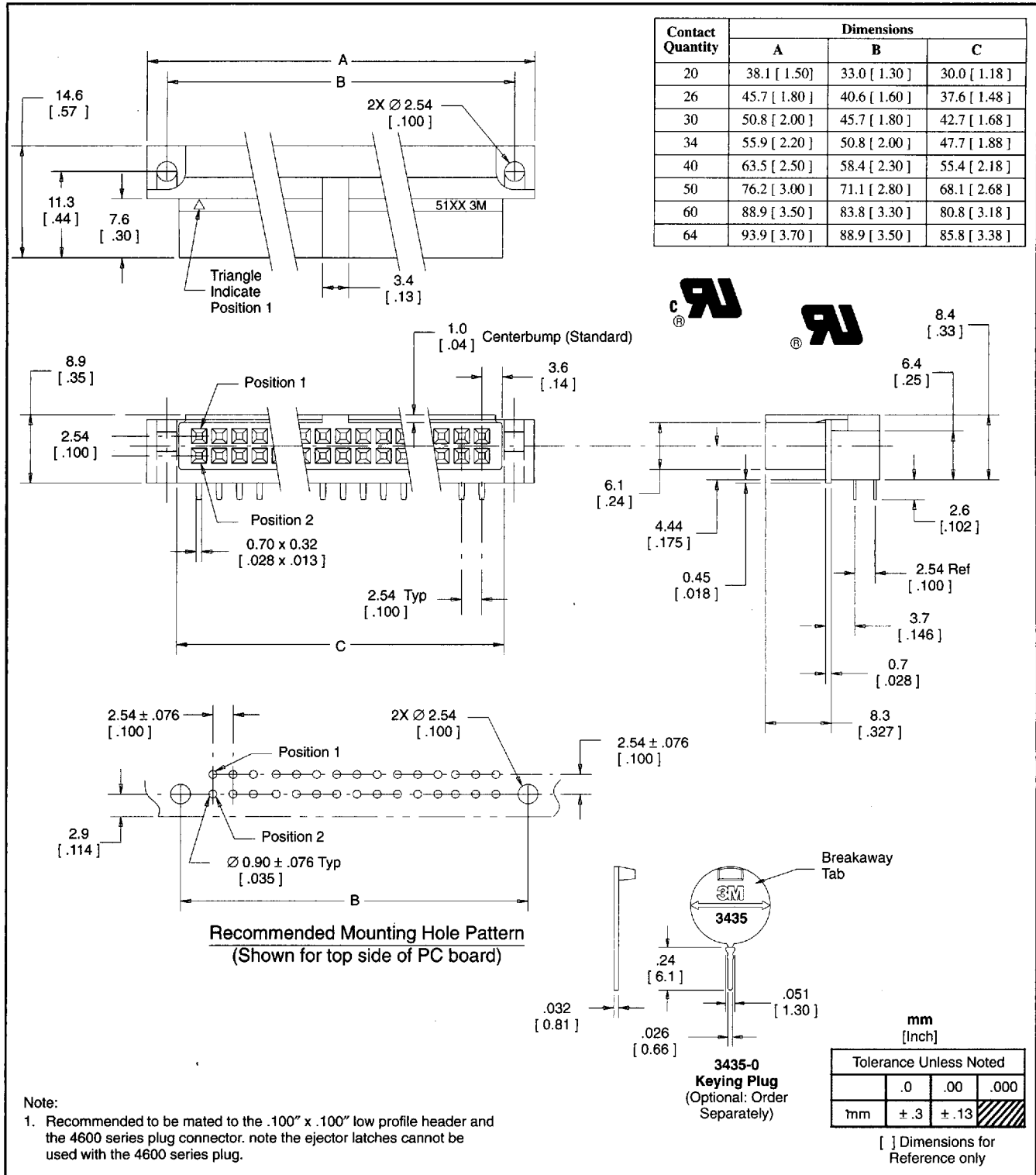
64

For technical, sales or ordering information call
800-225-5373

.100" × .100" Polarized Boardmount Socket

Centerbump Polarization with Right Angle Solder Tails

5100 Series



Ordering Information

Sockets
51XX-B7A2JL

Contact Quantity:
 See Table

TS-0414-08
 Sheet 2 of 2