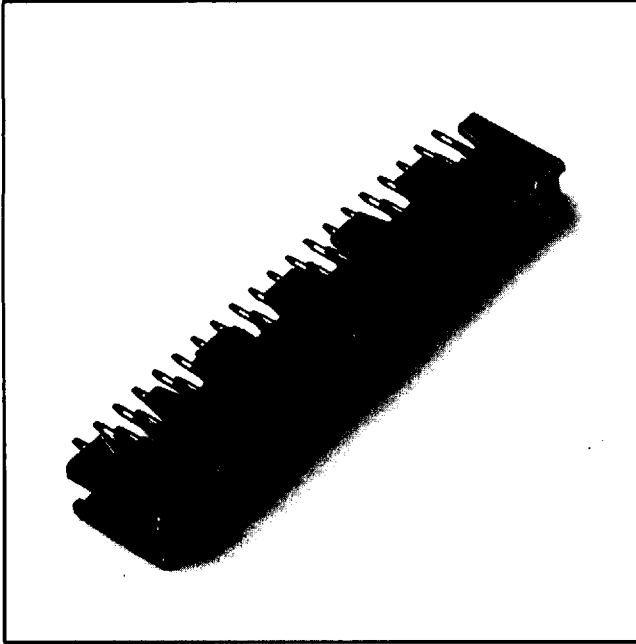


.100" × .100" Polarized Boardmount Socket

Centerbump Polarization with Straight Solder Tails

8500 Series



- Centerbump polarization
- Mates with low profile shrouded headers
- Part number on each piece
- Optional keying plug
- Nine popular positions
- UL 94V-0 rated polyester body
- Board retention feature

TS-0413-07
Sheet 1 of 2

27

Physical

Insulation

Material: Glass Filled Polyester (PBT)

Flammability: UL 94V-0

Color: Gray

Contact

Material: Copper Alloy

Plating

Underplating & U-Slot: 2 μm [79 μin] Nickel — QQ-N-290, Class 2

Wiping Area: 0.3 μm [12 μin] Gold — MIL-G-45204, Type II, Grade C

Solder Tails: Tin Lead — MIL-P-81728

Marking: 3M Logo, Part Identification Number and Orientation Triangle

Electrical

Current Rating: 1 A


Insulation Resistance: $> 1 \times 10^9 \Omega$ at 500 Vdc

Withstanding Voltage: 1000 Vrms at Sea Level

Environmental

Temperature Rating: -55°C to 105°C

UL File No.: E68080

3M Electronic Products Division  19F  9035312 0004260 953 

<http://www.3M.com/interconnects/>

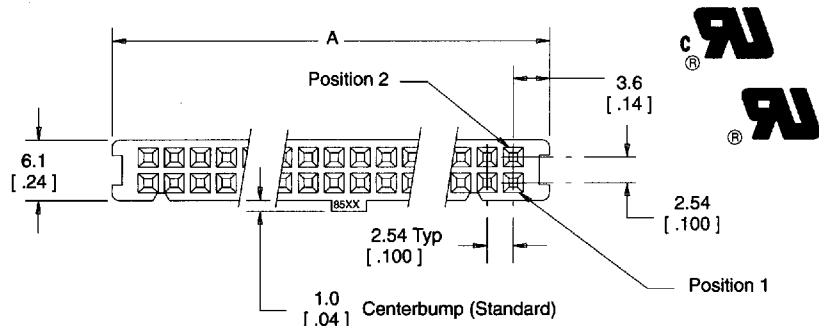
62

For technical, sales or ordering information call
800-225-5373

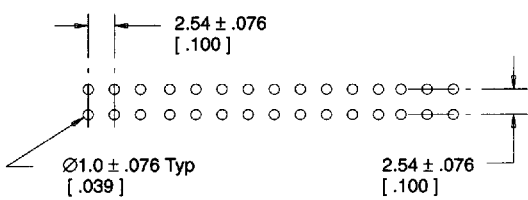
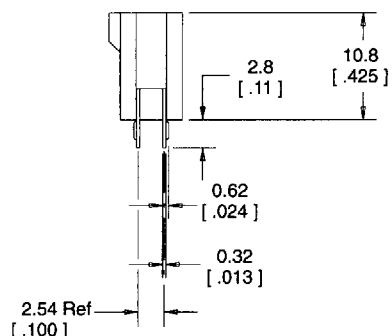
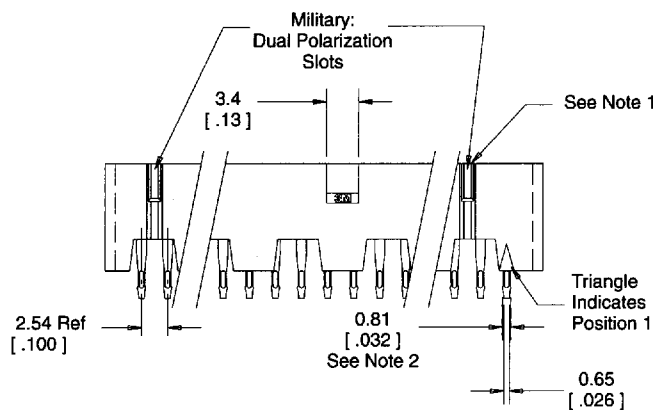
.100" × .100" Polarized Boardmount Socket

Centerbump Polarization with Straight Solder Tails

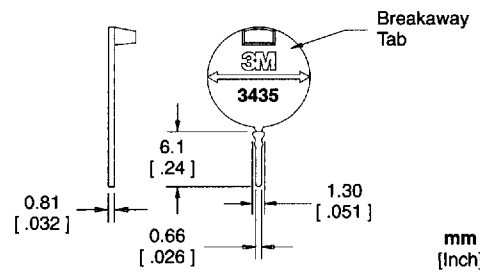
8500 Series



| Contact Quantity | Dimension A |
|------------------|---------------|
| 10 | 17.3 [.68] |
| 16 | 25.9 [.98] |
| 20 | 30.0 [1.18] |
| 26 | 37.6 [1.48] |
| 34 | 47.7 [1.88] |
| 40 | 55.4 [2.18] |
| 50 | 68.1 [2.68] |
| 60 | 80.8 [3.18] |
| 64 | 85.8 [3.38] |



Recommended Mounting Hole Pattern
(Shown for Top Side of PC Board)



3435-0
Keying Plug
(Optional: Order Separately)

| Tolerance Unless Noted | | | |
|------------------------|-----|------|------|
| | .0 | .00 | .000 |
| mm | ±.3 | ±.13 | |

[] Dimensions for Reference only

Notes:

1. This polarizing groove is non-existent on the 10 position version.
2. The contact solder tail is designed to retain the connector on the PC board during flow soldering operations.
3. Recommended to be mated to the .100" x .100" low profile header and the Plug Connector 4600 Series without ejector latches.

Ordering Information

Sockets
85XX-4500JL

Contact Quantity:
See Table

TS-0413-07
Sheet 2 of 2