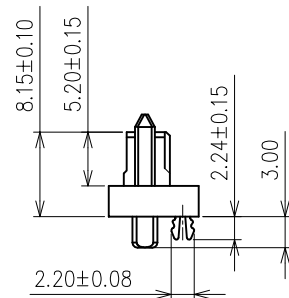
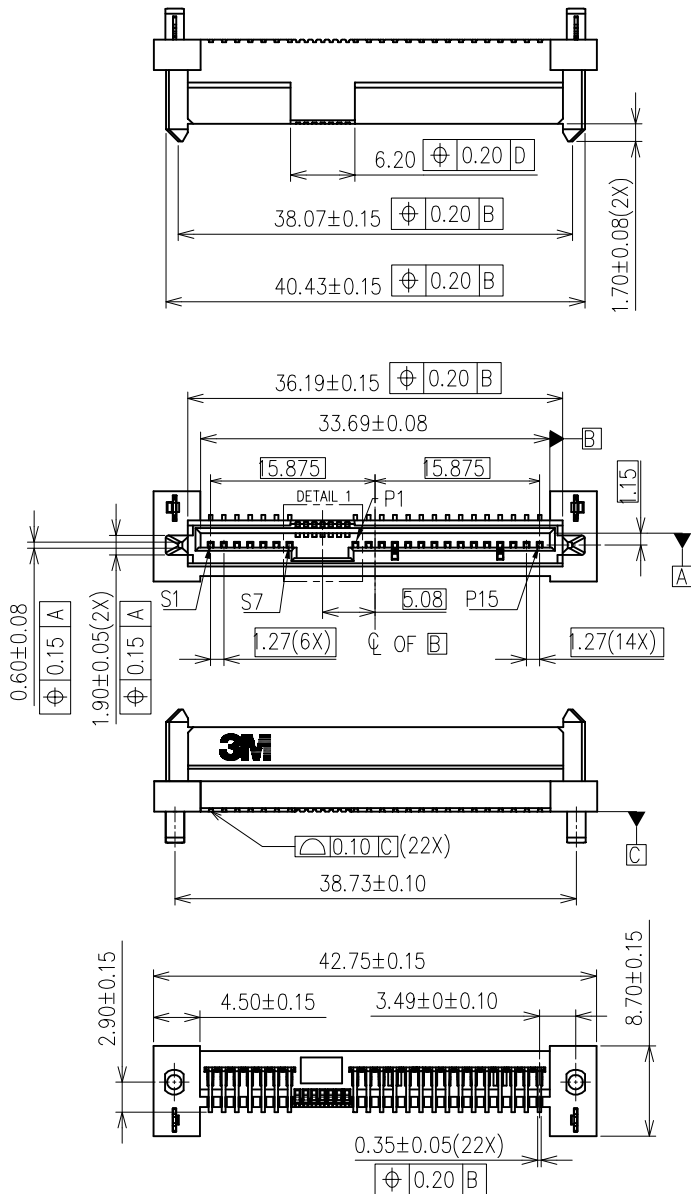


3M™ Serial Attached SCSI (SAS) Connector
Boardmount Surface Mount, Vertical Receptacle, 22 Pin, SBR Series

REVISION RECORD		
REV.	ECR/ECN/ECO NUMBER	DATE
A	ECO-0042655	26/11/12



NOTES:

- RoHS COMPLIANT. SEE REGULATORY INFORMATION APPENDIX IN "RoHS COMPLIANCE" SECTION AT WWW.3M.COM/INTERCONNECT (E1 & C1 APPLY)
- MEETS SPECIFICATION SAS 2.1
COMPLIANT TO SFF-8223, SFF-8323, SFF-8523, SFF-8482 REV 2.2
- PHYSICAL:
HOUSING: HIGH TEMPERATURE THERMOPLASTIC, BLACK, UL94V-0
CONTACT: COPPER ALLOY
- ELECTRICAL:
CURRENT RATING: POWER PIN: 1.5A
SIGNAL PIN: 500mA
INSULATION RESISTANCE: 10³ MΩ min.
WITHSTANDING VOLTAGE: 500V_{ac} AT SEA LEVEL
- ENVIRONMENTAL:
OPERATING TEMPERATURE RANGE: -40°C TO +85°C
- UL FILE NO. E68080
- ORDERING INFORMATION:
SBR-ST-22-M-XX

PLATING:

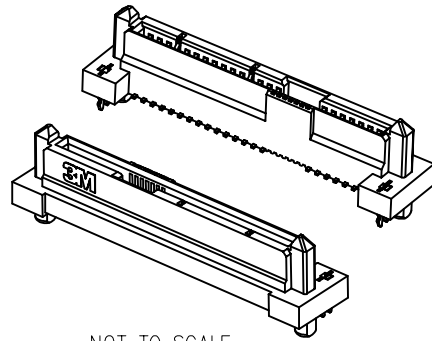
- FT: Au FLASH AT MATING AREA
- ML: 30u" MIN. Au AT MATING AREA
- : 50u" MIN. Ni UNDERPLATE
- : 100u" MIN. Sn AT TERMINATION AREA

Visit <http://www.3Mconnectors.com>

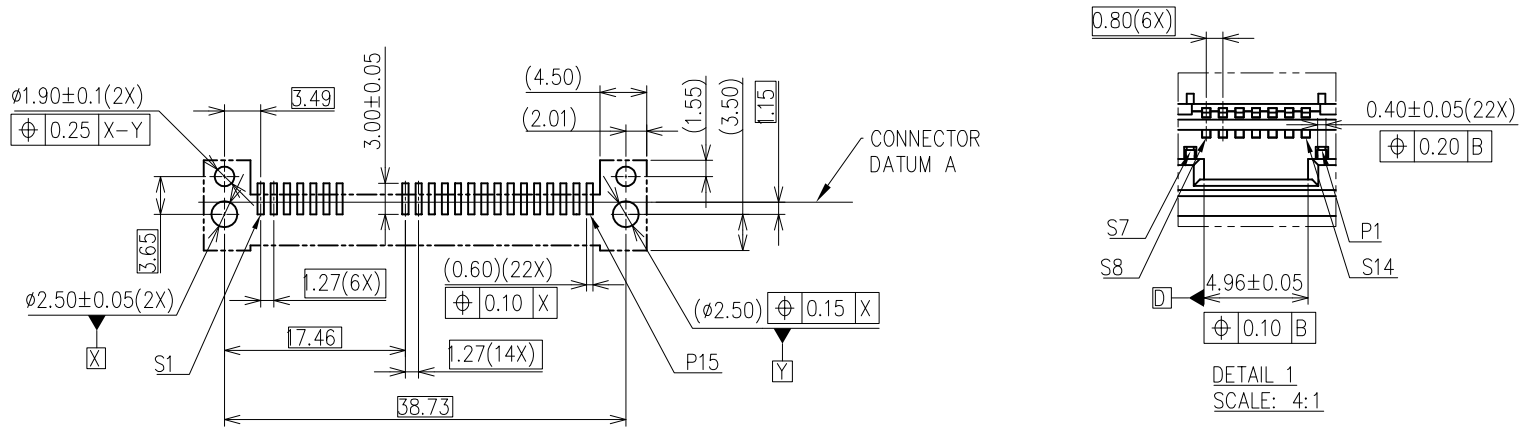
UNIT: MM	DFTG OH KIM CHYE	DATE 26/11/12		DIVISION ESD	STATUS RELEASED
GEN. TOLERANCES	CHKD QIAO YUN LONG	DATE 26/11/12		MODEL	
LINEAR .0 =±0.25 .00 =±0.15 ±0.20 .000=±0.05	APPVL ALAN ANG	DATE 26/11/12	TITLE	Serial Attached SCSI (SAS) Connector Boardmount Surface Mount, Vertical Receptacle, 22 Pin	
ANGLE=±± ±3°	THIS DOCUMENT CONTAINS INFORMATION WHICH IS PROPRIETARY TO 3M COMPANY. NO REPRODUCTION OR PUBLICATION OF THIS DOCUMENT, IN WHOLE OR IN PART, SHALL BE MADE WITHOUT AUTHORIZATION FROM 3M. ©3M 2013. ALL RIGHTS RESERVED.		SIZE A3	DRAWING NO. 78-5100-2205-2	REV A
PROJECTION	INTERPRET PER ASME Y14.5M-1994		SCALE : 2:1	DET LIST <input type="checkbox"/> YES <input type="checkbox"/> NO	SHT 1 of 2
	CRITICAL DIMENSION: ▲				

3M™ Serial Attached SCSI (SAS) Connector
Boardmount Surface Mount, Vertical Receptacle, 22 Pin, SBR Series

REVISION RECORD		
REV.	ECR/ECN/ECO NUMBER	DATE
REFER TO SHT 1 of 2		



NOT TO SCALE



RECOMMENDED PCB LAYOUT
PCB THICKNESS 1.65±0.05

Visit <http://www.3Mconnectors.com>

UNIT: MM	DFTG OH KIM CHYE	DATE 26/11/12		DIVISION ESD	STATUS RELEASED
GEN. TOLERANCES	CHKD QIAO YUN LONG	DATE 26/11/12		MODEL	
LINEAR .0 = ±0.25 .00 = ±0.15 ±0.20 .000 = ±0.05	APPVL ALAN ANG	DATE 26/11/12	TITLE	Serial Attached SCSI (SAS) Connector Boardmount Surface Mount, Vertical Receptacle, 22 Pin	
ANGLE = ± ± 3°	THIS DOCUMENT CONTAINS INFORMATION WHICH IS PROPRIETARY TO 3M COMPANY. NO REPRODUCTION OR PUBLICATION OF THIS DOCUMENT, IN WHOLE OR IN PART, SHALL BE MADE WITHOUT AUTHORIZATION FROM 3M. ©3M 2013. ALL RIGHTS RESERVED.		SIZE A3	DRAWING NO. 78-5100-2205-2	REV A
PROJECTION	INTERPRET PER ASME Y14.5M-1994	CRITICAL DIMENSION: ▲	SCALE : 2:1	DET LIST <input type="checkbox"/> YES <input type="checkbox"/> NO	SHT 2 of 2