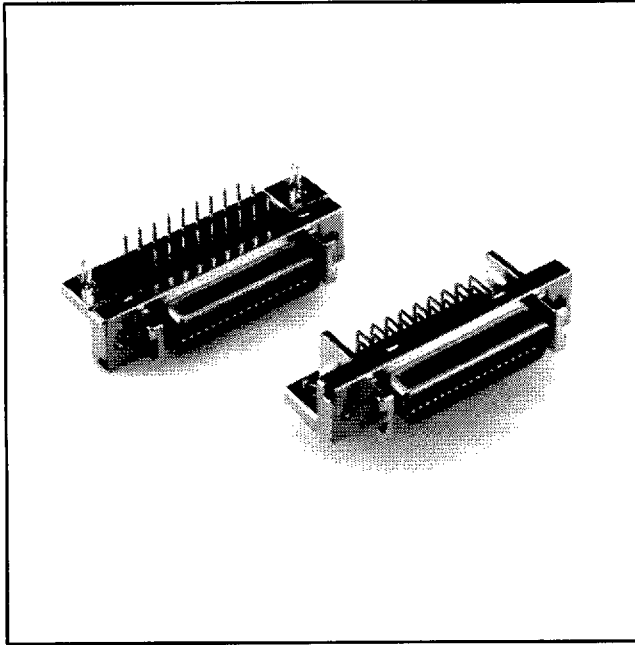


Mini D Ribbon Connectors

.050" Boardmount R.A. Receptacle, 14-40 Pos.

102XX-52XXVC Series



- Boardmount shielded I/O receptacle
- High performance insertion/withdrawal cycles
- Ribbon type contact — industry preferred
- Excellent EMI/ESD protection
- Available with ground lock feature
- Current rating 1 amp
- Easy to use latching system

TS-0426-06
Sheet 1 of 3

134

Physical

Insulation

Material: Glass Reinforced Polyester (PBT)
Flammability: UL 94V-0
Color: Black

Contact

Material: Copper Alloy (C521)
Plating
Underplate: 80 μ " (2.54 μ m) Nickel — QQ-N-290, Class 2
Wiping Area: 30 μ " (0.76 μ m) Min Gold — MIL-G-45204, Type II, Grade C

Body

Material: Zinc Alloy
Plating: Nickel

Shroud

Material: Steel
Plating: Nickel

Marking: 3M Logo and Part Identification Number

Electrical

Current Rating: 1 A
Insulation Resistance: $> 5 \times 10^8 \Omega$
Withstanding Voltage: 500 Vrms for 1 Minute

Environmental

Temperature Rating: -20°C to $+85^\circ\text{C}$

UL File No.: E68080

CSA File No.: LR 45751, LR 45300

3M Electronic Products Division ■ 9005413 0000373 965 ■

6801 River Place Blvd.
Austin, TX 78726-9000

383

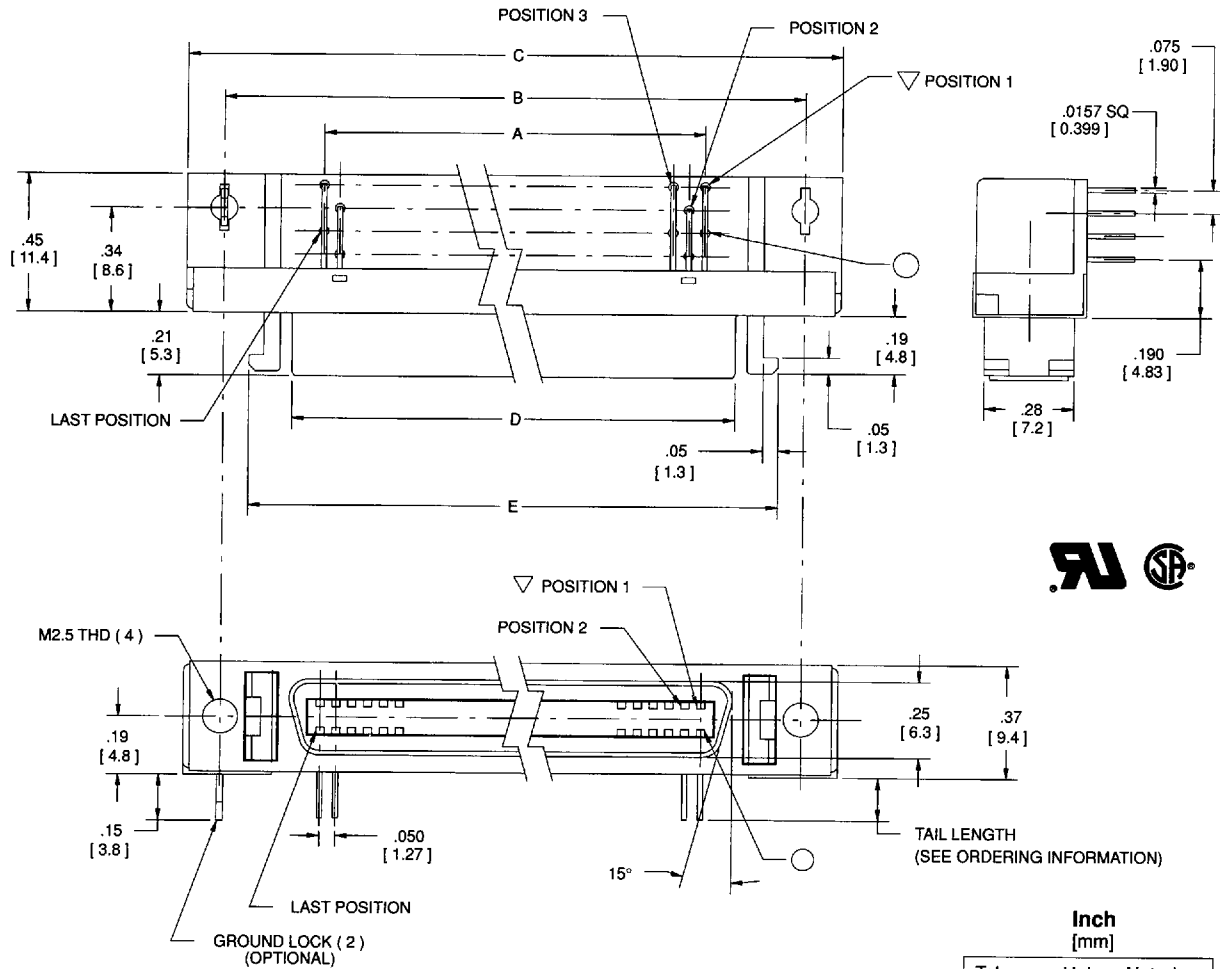
For technical, sales or ordering information call
800-225-5373

Mini D Ribbon Connectors

.050" Boardmount R.A. Receptacle, 14-40 Pos.

102XX-52XXVC Series

Sheet 2 of 3



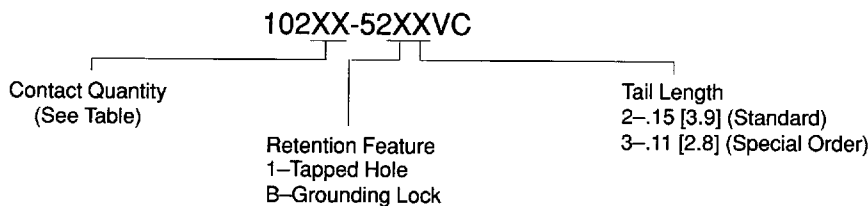
| Inch [mm] | | | |
|------------------------|-----|------|-------|
| Tolerance Unless Noted | | | |
| .0 | .00 | .000 | |
| Inch | ±.1 | ±.01 | ±.005 |

[] Dimensions for Reference Only

TS-0426-06

| CONTACT QUANTITY | DIM. A | DIM. B | DIM. C | DIM. D | DIM. E |
|------------------|--------------|-------------|-------------|-------------|-------------|
| 14 | .300 [7.62] | .93 [23.6] | 1.16 [29.5] | .50 [12.6] | .77 [19.5] |
| 20 | .450 [11.43] | 1.08 [27.5] | 1.31 [33.4] | .65 [16.4] | .92 [23.4] |
| 26 | .600 [15.24] | 1.23 [31.3] | 1.46 [37.2] | .80 [20.2] | 1.07 [27.2] |
| 36 | .850 [21.59] | 1.48 [37.6] | 1.71 [43.5] | 1.05 [26.6] | 1.32 [33.5] |
| 40 | .950 [24.13] | 1.58 [40.2] | 1.81 [46.1] | 1.15 [29.1] | 1.42 [36.1] |

Ordering Information

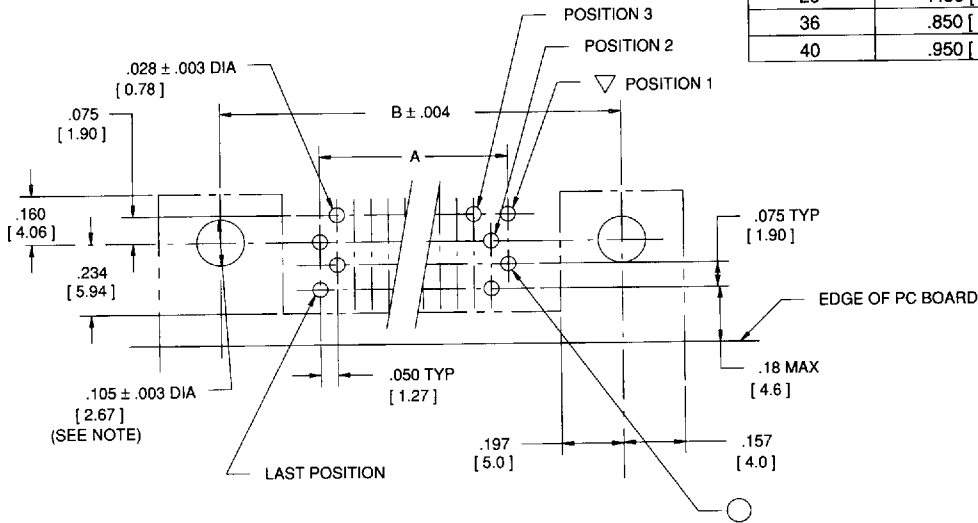


Mini D Ribbon Connectors

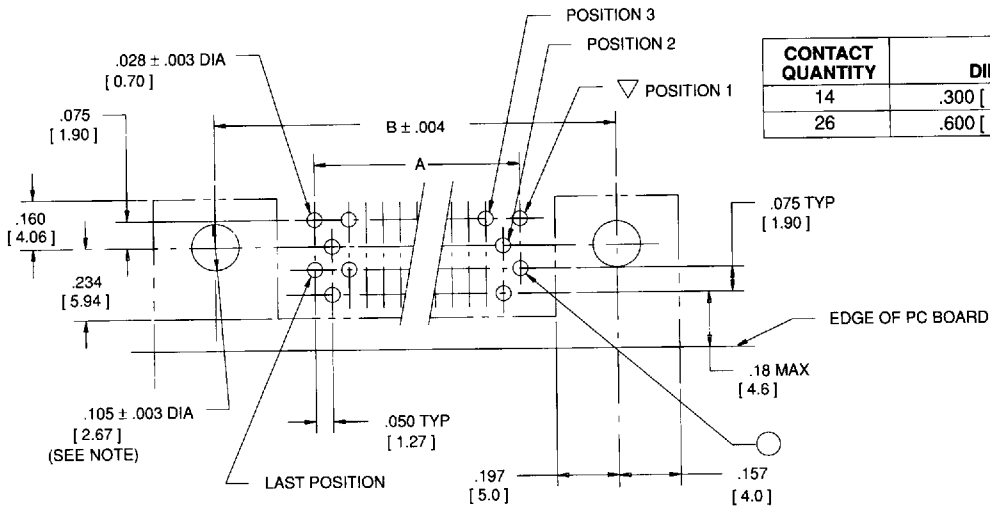
.050" Boardmount R.A. Receptacle, 14-40 Pos.

102XX-52XXVC Series

RECOMMENDED BOARD LAYOUT
VIEWED FROM CONNECTOR SIDE



| CONTACT QUANTITY | DIM. A | DIM. B |
|------------------|----------------|-----------------|
| 20 | .450 [11.43] | 1.081 [27.45] |
| 36 | .850 [21.59] | 1.481 [37.61] |
| 40 | .950 [24.13] | 1.581 [40.15] |



| CONTACT QUANTITY | DIM. A | DIM. B |
|------------------|----------------|-----------------|
| 14 | .300 [7.62] | .931 [23.64] |
| 26 | .600 [15.24] | 1.231 [31.26] |

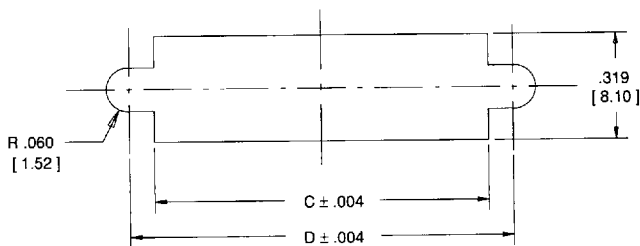
NOTE: PLATED THROUGH HOLES FOR .062" BOARD THICKNESS.

Inch
[mm]

| Tolerance Unless Noted | | | |
|------------------------|-----|------|-------|
| | .0 | .00 | .000 |
| Inch | ±.1 | ±.01 | ±.005 |

[] Dimensions for Reference Only

RECOMMENDED PANEL CUT-OUT



NOTE: PANEL THICKNESS .079 [2.00] MAX.

| CONTACT QUANTITY | DIM. C | DIM. D |
|------------------|---------------|-----------------|
| 14 | .79 [20.0] | .931 [23.64] |
| 20 | .94 [23.8] | 1.081 [27.45] |
| 26 | 1.09 [27.6] | 1.231 [31.26] |
| 36 | 1.33 [33.9] | 1.481 [37.61] |
| 40 | 1.44 [36.5] | 1.581 [40.15] |

Sheet 3 of 3

TS-0426-06