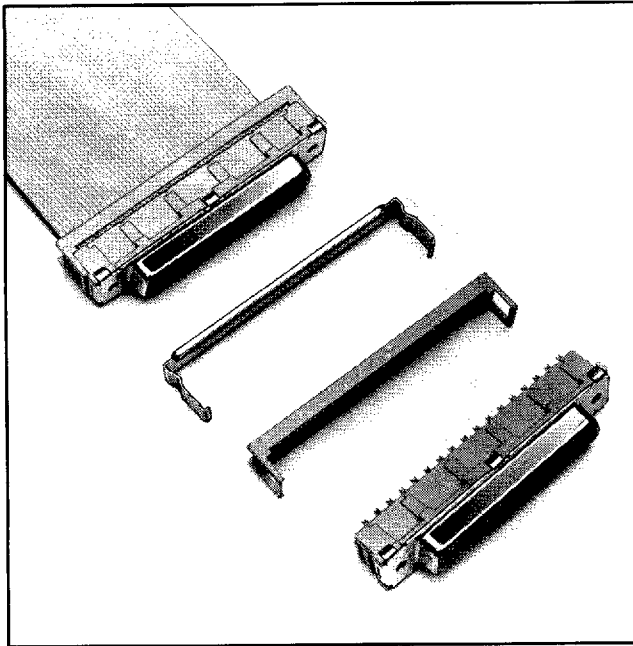


D Sub

Socket Connector, 50 Position

8350 Series



126

TS-0034-08
Sheet 1 of 3

- IDC compatible
- Lower insertion/withdrawal force than other 50 position products
- Available in either pre-assembled or two piece covers
- Available in either open or closed end cover
- Mounting options include #4-40 UNC or metric M2.5
- Conforms to intelligent peripheral interface standards

Physical

Insulation

Material: Glass Filled Polyester (PBT)
Flammability: UL 94V-0
Color: Gray

Contact

Material: Beryllium Copper
Plating
Underplate: 50 μ " (1.27 μ m) Nickel — QQ-N-290, Class 2
Wiping Area: 30 μ " (0.76 μ m) Gold — MIL-G-45204, Type II, Grade C

Shell

Material: Steel
Plating: 197-394 μ " (5-10 μ m) 90/10 Tin Lead Over Copper

Strain Relief Material: Stainless Steel .020 (0.50) Thick

Wire Accommodation: 26 & 28 AWG Solid or Stranded

Marking: 3M Logo & Contact Position Numbers

Electrical

Current Rating: 1 A
Insulation Resistance: $> 1 \times 10^9 \Omega$ at 500 VDC
Withstanding Voltage: 1000 Vrms at Sea Level

Environmental

Temperature Rating: -55° to $+105^\circ$

UL File No.: E68080

CSA File No.: LR 46900

3M Electronic Products Division ■ 9005413 0000349 646 ■

6801 River Place Blvd.
Austin, TX 78726-9000

357

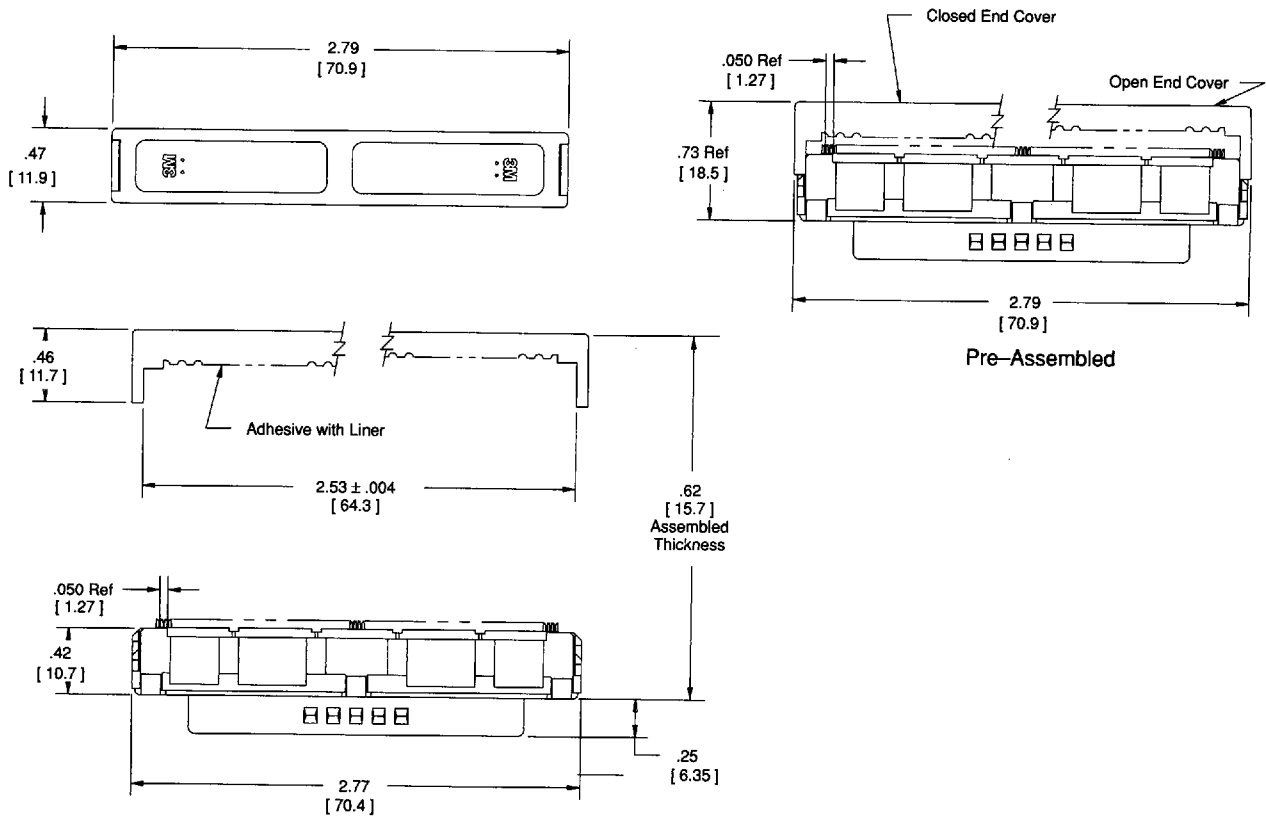
For technical, sales or ordering information call
800-225-5373

D Sub

Socket Connector, 50 Position

8350 Series

Sheet 2 of 3



Notes:

1. (XX) Circled numbers represent cable conductor number.
2. Preassembled closed cover is on Pin #1 side.

Inch
[mm]

Tolerance Unless Noted			
	.0	.00	.000
Inch	±.1	±.01	±.005

[] Dimensions for Reference Only

TS-0034-08

Ordering Information

Connector
8350-X0XX

Strain Relief
3448-8D50

Cover Style:

- 6 = Open Cover
- 7 = Closed Cover
- 8 = Open Cover, W/O Adhesive, Preassembled
- 9 = Closed Cover, W/O Adhesive, Preassembled

Strain Relief Option:

- 0 = W/O Strain Relief
- 6 = With Strain Relief

Mounting Style:

- 5 = 4-40 UNC
- 6 = M2.5

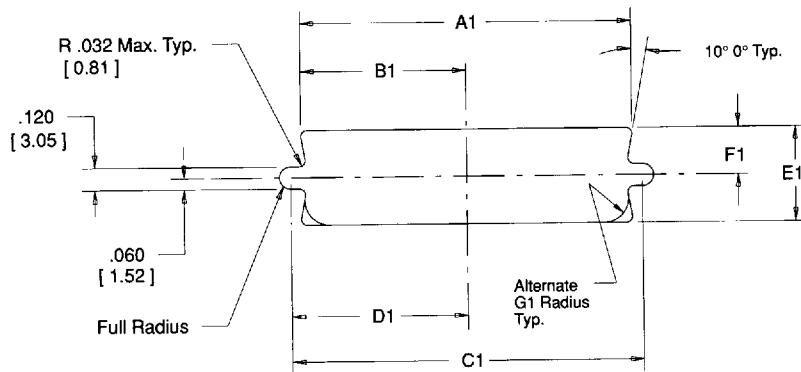
D Sub

Socket Connector, 50 Position

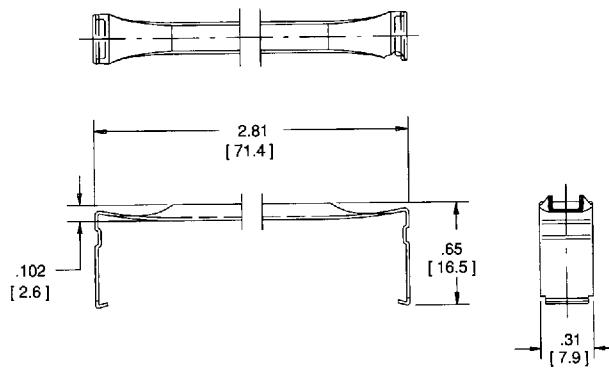
8350 Series

Mounting Method *	Contact Quantity	Dim A1	Dim B1	Dim C1	Dim D1	Dim E1	Dim F1	Dim G1
Rear	50	2.218 [56.34]	1.109 [28.17]	2.40 [61.1]	1.20 [30.55]	.525 [13.34]	.225 [5.70]	.120 [3.05]

* Rear Mount – The connector is mounted behind the panel.



STRAIN RELIEF (Order Separately or with Connector)



Sheet 3 of 3

TS-0034-08