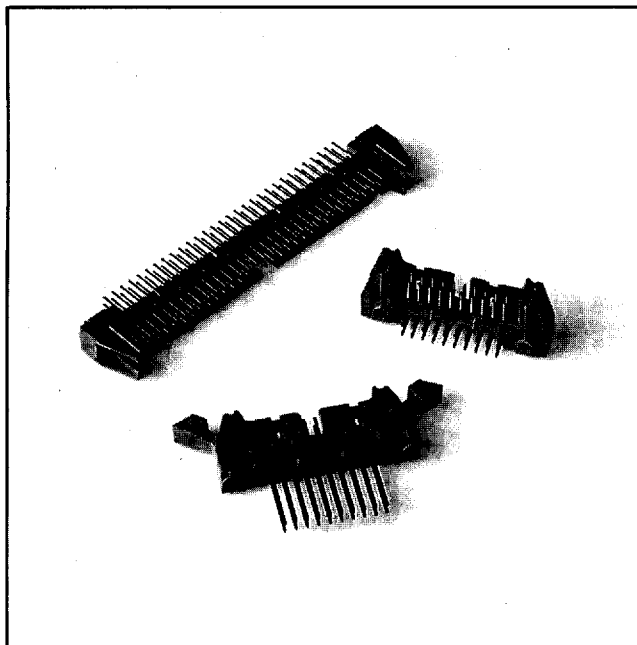


.100" × .100" Latch/Ejector Header

3 Wall, Straight & Right Angle, High Temp Option



- Military (with 3M's 3518 polarizing key) and center bump polarization
- Low profile
- Optional ejector latches
- Mounting holes for securing header to board
- Three wall shroud provides design flexibility
- Solder tail and wrap tail options
- Optional polarizing posts available
- Choice of rolled pin and snap-in latches
- High temperature option

TS-0771-01
Sheet 1 of 4

83

Physical

Insulation

Material: Glass Filled Polyester (PBT)
Glass Filled Polyester (PCT — High Temp Option)

Flammability: UL 94V-0

Color: Gray
Beige (High Temp Option)

Marking: 3M Logo, Part Identification Number and Orientation Triangle

Contact

Material: Copper Alloy

Plating

Underplate: 100 μ " [2.54 μ m] Nickel — QQ-N-290, Class 2

Wiping Area: Gold — MIL-G-45204, Type II, Grade C

Solder Tails: 200 μ " [5.08 μ m] 60/40 Tin Lead — MIL-P-81728

Wrap Tails: Gold Flash

Electrical

Current Rating: 1 A

Insulation Resistance: $>1 \times 10^9 \Omega$ at 500 Vdc

Withstanding Voltage: 1000 Vrms at Sea Level

Environmental

Temperature Rating: -55°C to $+105^\circ\text{C}$

UL File No.: E68080

3M Electronic Products Division

<http://www.3M.com/interconnects/>

227

For technical, sales or ordering information call
800-225-5373

D 19F ■ 9035312 0004423 848 ■

.100" × .100" Latch/Ejector Header

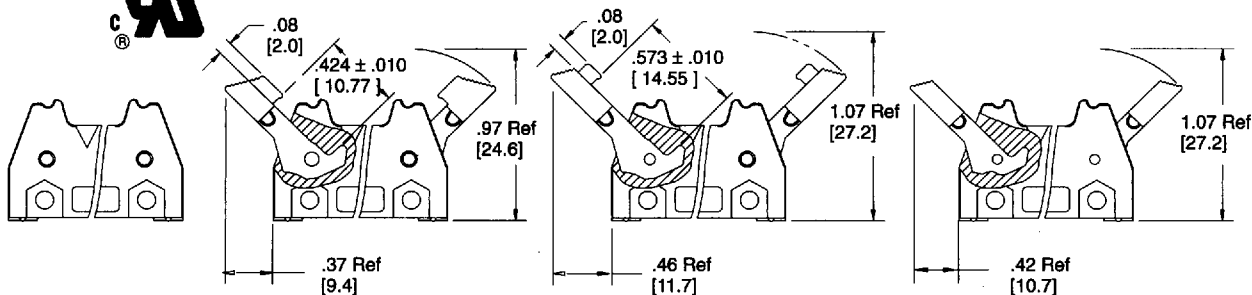
3 Wall, Straight & Right Angle, High Temp Option

-X0XX
Header with No
Ejector/Latch

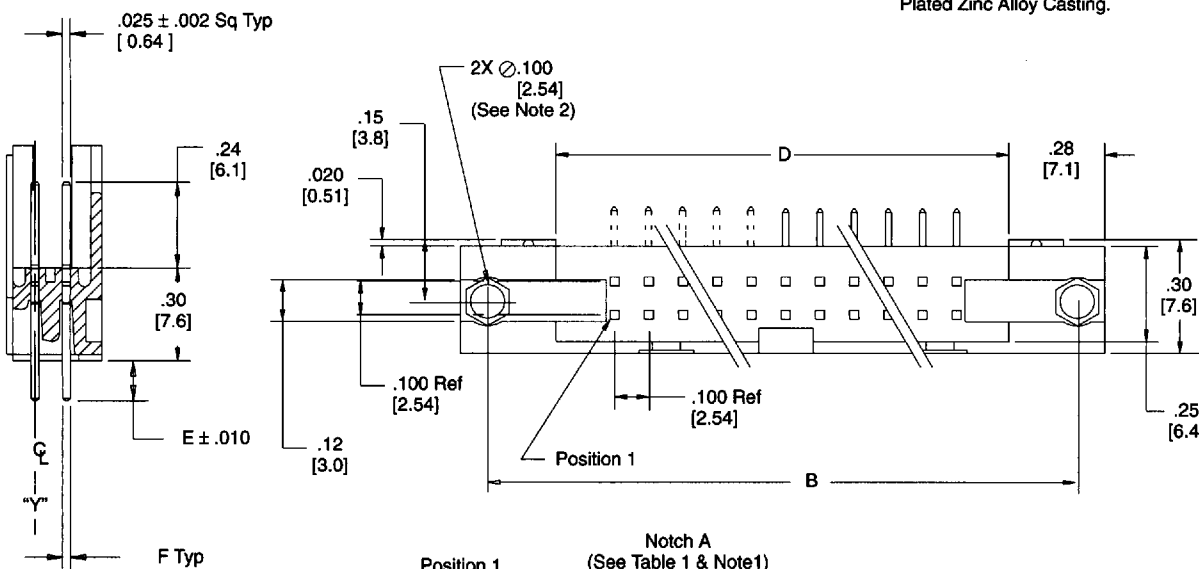
-X2XX
-X5XX
Header with
Short Ejector/Latch
for 3M Sockets without
Strain Relief

-X3XX
-X6XX
Header with
Long Ejector/Latch
for 3M Sockets with
Strain Relief

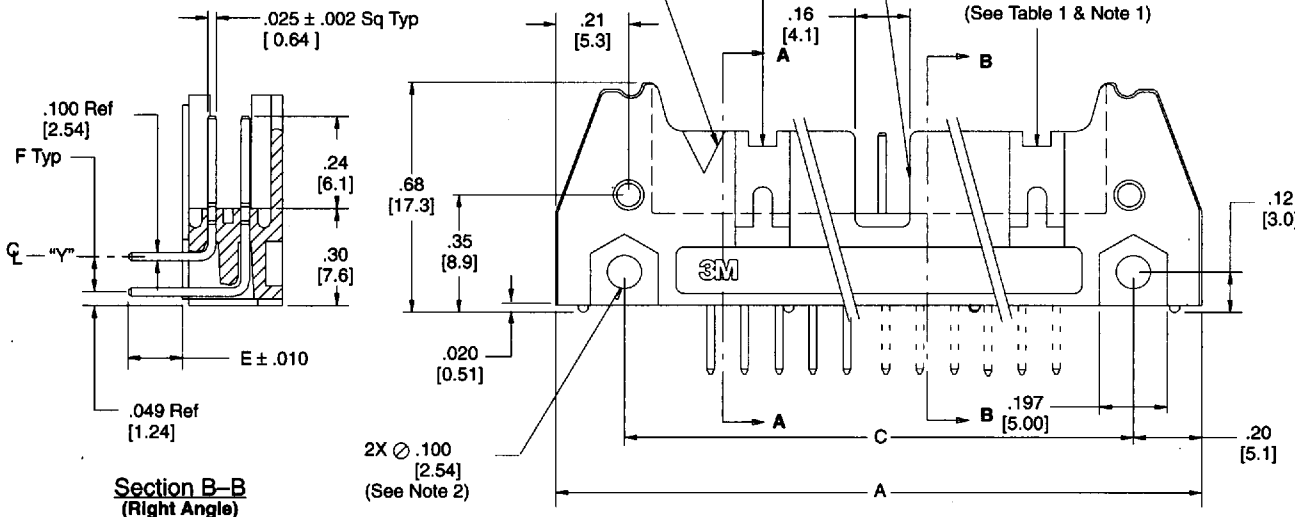
-X4XX
Header with
Ejector only



Note: This Ejector is a Nickel Plated Zinc Alloy Casting.



Section A-A
(Straight)



Section B-B
(Right Angle)

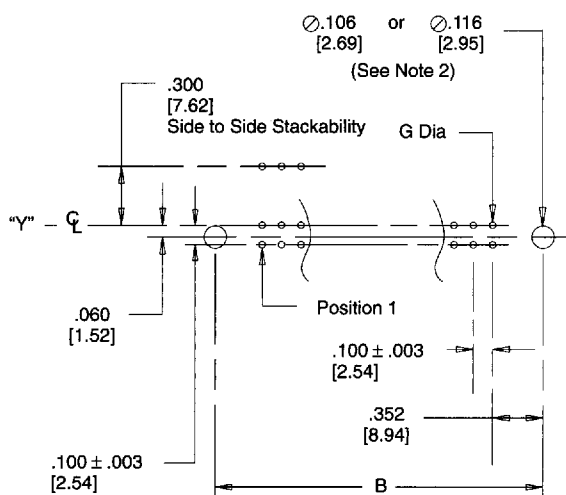
TS-0771-01
Sheet 2 of 4

.100" × .100" Latch/Ejector Header

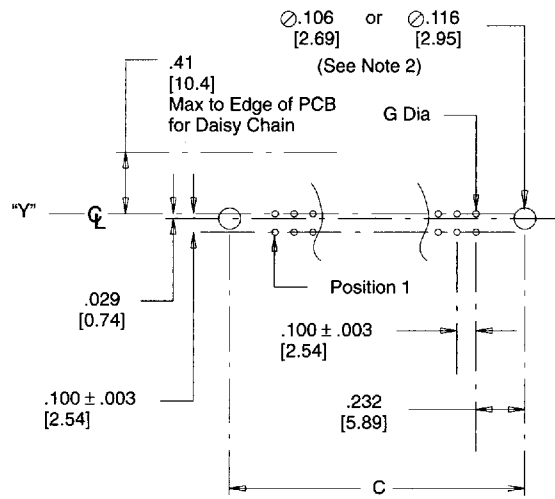
3 Wall, Straight & Right Angle, High Temp Option

| Pin Quantity | 3M Part Number | Dimensions | | | | Polarization Notches Provided |
|--------------|----------------|--------------|---------------|---------------|-------------|-------------------------------|
| | | A | B | C | D | |
| 10 | 3793 | 1.26 [32.1] | 1.105 [28.07] | .865 [21.97] | .71 [18.0] | B C |
| 14 | 3314 | 1.46 [37.2] | 1.305 [33.15] | 1.065 [27.05] | .91 [23.1] | B C |
| 16 | 3408 | 1.56 [39.7] | 1.405 [35.69] | 1.165 [29.59] | 1.01 [25.6] | A B C |
| 20 | 3428 | 1.76 [44.8] | 1.605 [40.77] | 1.365 [34.67] | 1.21 [30.7] | A B C |
| 26 | 3429 | 2.06 [52.4] | 1.905 [48.39] | 1.665 [42.29] | 1.51 [38.3] | A B C |
| 34 | 3431 | 2.46 [62.6] | 2.305 [58.55] | 2.065 [52.45] | 1.91 [48.5] | A B C |
| 40 | 3432 | 2.76 [70.2] | 2.605 [66.17] | 2.365 [60.07] | 2.21 [56.1] | A B C |
| 50 | 3433 | 3.26 [82.9] | 3.105 [78.87] | 2.865 [72.77] | 2.71 [68.8] | A B C |
| 60 | 3372 | 3.76 [95.6] | 3.605 [91.57] | 3.365 [85.47] | 3.21 [81.5] | A B C |
| 64 | 3764 | 3.96 [100.7] | 3.805 [96.65] | 3.565 [90.55] | 3.41 [86.6] | A B C |

| 3M Part Number Suffix | Contact Tail | Dimension E | Pin Cross Section | | | Dimension G |
|-----------------------|--|-------------------|---------------------------|------------------------|-----------------------|------------------------------------|
| | | | Dimension F | Diagonals | Corner Radii | |
| -1XX2 -2XX2 | Solder Tail for .062 [1.57] Thick PC Board | .112 [2.84] | 0.0245 ± .0005 [0.622] | 0.028 ± .001 [0.71] | 0.0075 Ref [0.191] | .035 ± .003 [0.89] (See Note 3) |
| -1X03 -2X03 | Solder Tail for .094 [2.39] to .125 [3.18] Thick PC Board | .155 [3.94] | 0.0245 ± .0005 [0.622] | 0.028 ± .001 [0.71] | 0.0075 Ref [0.191] | .035 ± .003 [0.89] |
| -3X05 -4X05 | Wire Wrap Tail for up to 3 Levels of Wire Wrap | .61 Ref [15.5] | 0.0250 ± .002 [0.635] | 0.035 ± .003 [0.90] | 0.003 Max [0.08] | .045 ± .003 [1.14] |



Recommended Mounting Hole Pattern (Straight)



Recommended Mounting Hole Pattern (Right Angle)

Notes:

- Notches A & C will accommodate 3M Polarizing Keys (3M Part #3518 or M3518).
- Accepts Rear and Front mounting hardware:
Rear Entry: #4-24 thread cutting screw, 3M Part #3341-5, .116 [2.95] dia mounting hole
Front Entry: (Prior to installation of latch on Straight Versions) #2-56 bolt and nut, 3M Part #3341-6, .106 [2.69] dia mounting hole
- The recommended PCB hole size for the kinked tail positions on the .112 solder tail connector is .035 ± .002.

| Tolerance Unless Noted | | | |
|------------------------|------|-------|--------|
| | .0 | .00 | .000 |
| Inch | ± .1 | ± .01 | ± .005 |

[] Dimensions for Reference only

TS-0771-01
Sheet 3 of 4

.100" × .100" Latch/Ejector Header

3 Wall, Straight & Right Angle, High Temp Option

Ordering Information

30 Microinches Gold Plated Product

XXXXX-XXXX

Blank = Standard
N = High Temperature

3M Part Number
(See Table 1)

Shroud and Pin Configuration

- 1 = 3 Wall, Right Angle Solder Tail
- 2 = 3 Wall, Straight Solder Tail
- 3 = 3 Wall, Right Angle Wrap Post (not available on High Temp version)
- 4 = 3 Wall, Straight Wrap Post

Latch/Ejector System

- 0 = No Latch/Ejector
- 2 = Short, Roll Pin Latch/Ejectors (3M Part # 3505-2)*
- 3 = Long, Roll Pin Latch/Ejectors (3M Part # 3505-3)*
- 4 = Roll Pin Ejectors (3M Part # 3505-4)*
- 5 = Short, Snap-In Latch/Ejectors, (3M Part # 3505-30)
- 6 = Long, Snap-In Latch/Ejectors (3M Part # 3505-31)

Tail

- 02 = Solder Tail for .062 [1.57] Thick Board
- K2 = Kinked Solder Tails for .062 [1.57] Thick Board
- 03 = Solder Tails for .094 to .125 [2.39 to 3.18] Thick Board
- 05 = Wrap Posts for up to 3 Levels of Wire Wrap (not available on High Temp version)

15 Microinches Gold Plated Product

XXXXX-XXXXUG

Blank = Standard
N = High Temperature

3M Part Number
(See Table 1)

Shroud and Pin Configuration

- 1 = 3 Wall, Right Angle Solder Tail
- 2 = 3 Wall, Straight Solder Tail

Latch/Ejector System

- 0 = No Latch/Ejector
- 5 = Short, Snap In Latch/Ejectors (3M Part # 3505-30)
- 6 = Long, Snap In Latch/Ejectors (3M Part # 3505-31)

Plating Suffix

UG = 15 microinch Gold

Tail

- 02 = Solder Tail for .062 [1.57] Thick Board
- K2 = Kinked Solder Tails for .062 [1.57] Thick Board
- 03 = Solder Tails for .094 to .125 [2.39 to 3.18] Thick Board

* Roll pin Latch/Ejector available only on standard version.