

# 3M™ Normal DIN 41612 Boardmount Socket

3 Row Type C ( Rows A, B & C or A & C Filled )

73XX Series



- High density (64 or 96 position)
- Low mating force minimizes plating wear on contact surfaces
- High reliability contact design
- Solder tail options
- Individual connector coding with the 3435-1 keying plug
- Normal, straight boardmount socket

Date Modified: September 6, 2005

TS-0809-05  
Sheet 1 of 2

## Physical

**Insulation**  
Material: Glass Filled Polyester (PBT)  
Flammability: UL 94V-0  
Color: Gray

**Contact**  
Material: Phosphor Bronze

**Plating**  
Underplate: 79  $\mu$ " (2.00  $\mu$ m) Nickel — QQ-N-290, Class 2  
Wiping Area: 15  $\mu$ " (0.38  $\mu$ m) Gold — MIL-G-45204, Type II, Grade C  
Solder Tails: 200  $\mu$ " (5.08  $\mu$ m) 90/10 Tin Lead — MIL-P-81728

File Replace by consolidated ts file:

## Electrical

**Current Rating:** 3 A  
**Insulation Resistance:**  $> 1 \times 10^{12} \Omega$  at 1000 Vdc  
**Withstanding Voltage:** 1000 Vrms at Sea Level  
**Contact Resistance:**  $< 15$  Milliohms

## Environmental

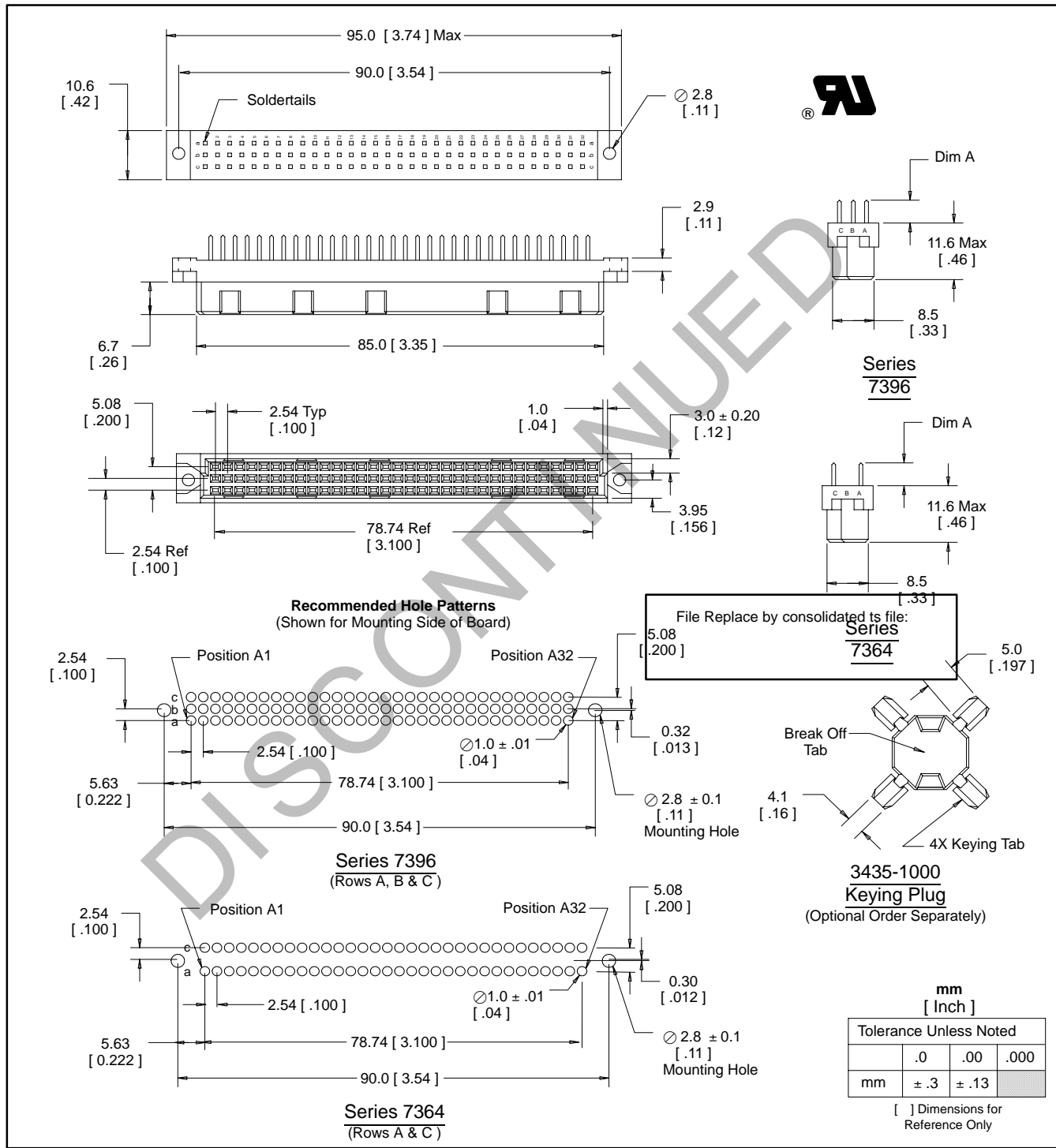
**Temperature Rating:**  $-55^{\circ}\text{C}$  to  $+125^{\circ}\text{C}$

UL File No.: E68080

# 3M™ Normal DIN 41612 Boardmount Socket

## 3 Row Type C ( Rows A, B & C or A & C Filled )

73XX Series



### Ordering Information

**73XX-60XXTH**

Contact Quantity  
64  
96

Row Filled  
C = A, B & C  
D = A & C

Soldertail Length  
Dim A  
2 = 2.5 [.10]  
3 = 4.0 [.16]  
5 = 13.0 [.51]

**Keying Plug**  
(Order Separately)  
**3435-1000**

TS-0809-05  
Sheet 2 of 2

## Important Notice

All statements, technical information, and recommendations related to 3M's products are based on information believed to be reliable, but the accuracy or completeness is not guaranteed. Before using this product, you must evaluate it and determine if it is suitable for your intended application. You assume all risks and liability associated with such use. Any statements related to the product which are not contained in 3M's current publications, or any contrary statements contained on your purchase order shall have no force or effect unless expressly agreed upon, in writing, by an authorized officer of 3M.

# 3M

## Electronics

6801 River Place Blvd.  
Austin, TX 78726-9000  
800/328-1368  
[www.3M.com/electronics](http://www.3M.com/electronics)

## Warranty; Limited Remedy; Limited Liability.

This product will be free from defects in material and manufacture for a period of one (1) year from the time of purchase. **3M MAKES NO OTHER WARRANTIES INCLUDING, BUT NOT LIMITED TO, ANY IMPLIED WARRANTY OF MERCHANTABILITY OR FITNESS FOR A PARTICULAR PURPOSE.** If this product is defective within the warranty period stated above, your exclusive remedy shall be, at 3M's option, to replace or repair the 3M product or refund the purchase price of the 3M product. **Except where prohibited by law, 3M will not be liable for any indirect, special, incidental or consequential loss or damage arising from this 3M product, regardless of the legal theory asserted.**



Minimum 10%  
Post-Consumer Fiber

Printed in USA.

© 3M 2005