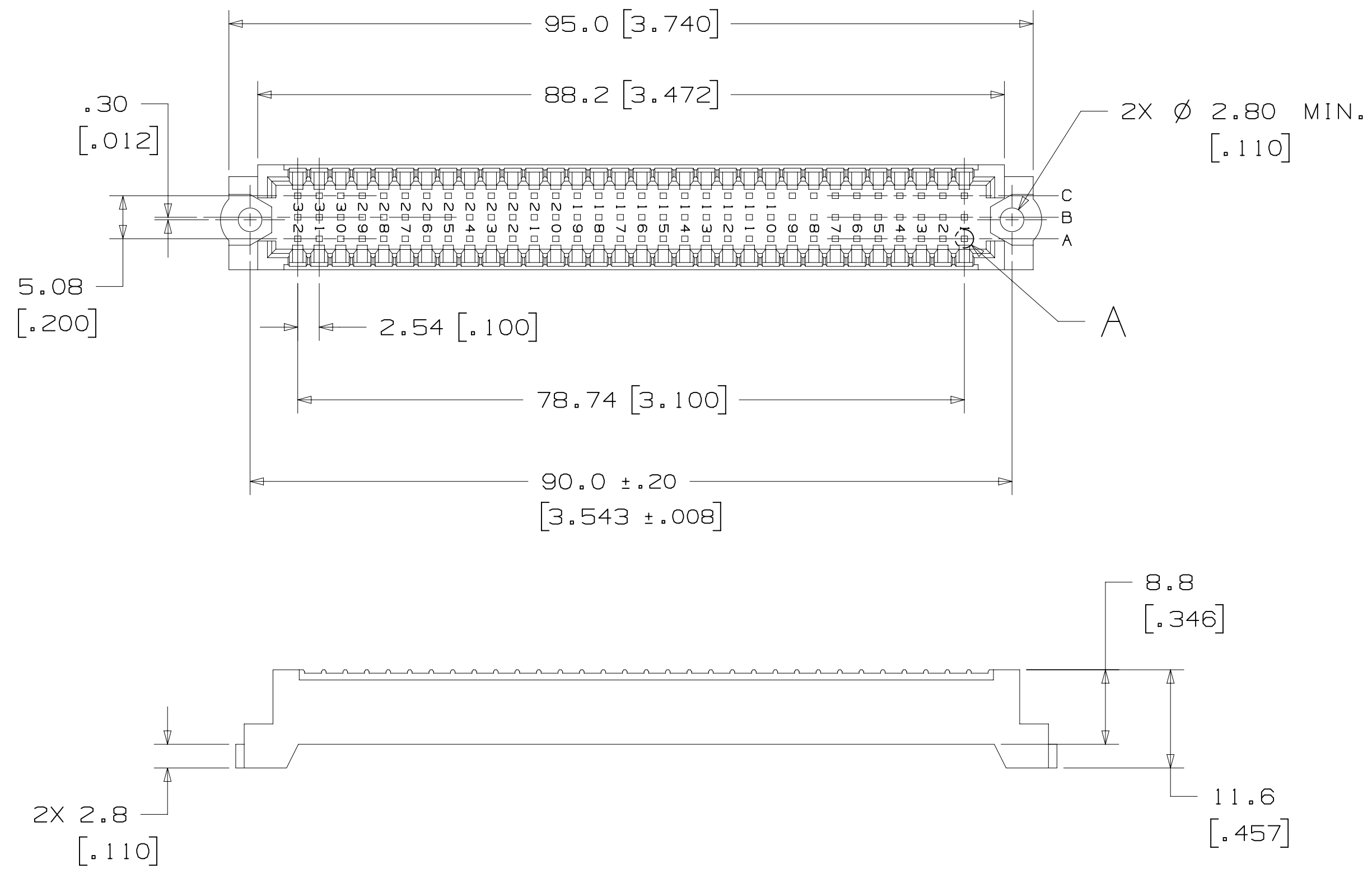


3M™ DIN C-FORM & R-FORM PLUG, DIN 41612 SERIES
 VERTICAL, RIGHT ANGLE, SOLDER TAIL OR PRESS-FIT TERMINATION, .100" BACKPLANE REAR PLUG



ORDERING INFORMATION
 C-FORM AND R-FORM SHROUD VERSION

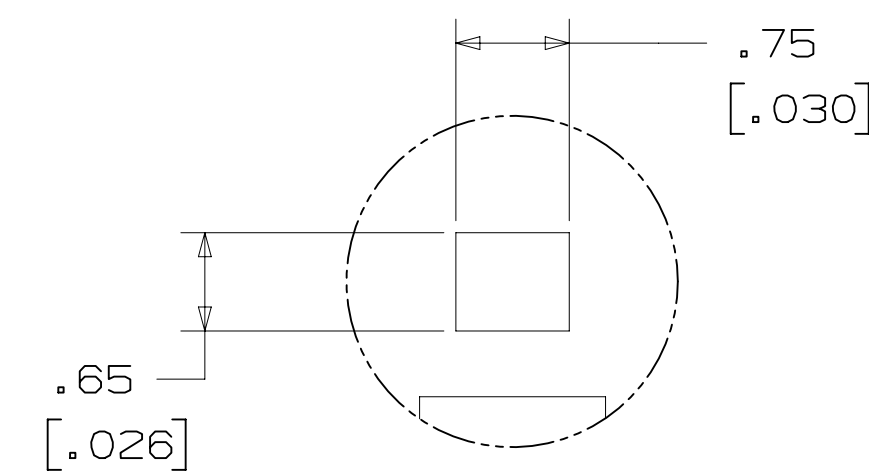
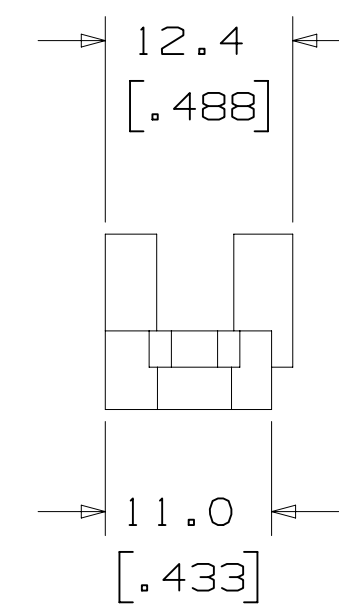
DIN-XXXSH-XXX-X

CONTACT QUANTITY:
 096 = 3 X 32

PIN FIT OPTION:
 Q = HAND PRESS-FIT

BODY HEIGHT:
 457 = 11.6 [.457]

THIS DIAGRAM SERVES ONLY FOR PART NUMBER DESCRIPTIVE DEFINITIONS.
 PLEASE CONTACT YOUR LOCAL SALES REPRESENTATIVE FOR CUSTOMER SPECIFIC
 PRODUCT CONFIGURATIONS.

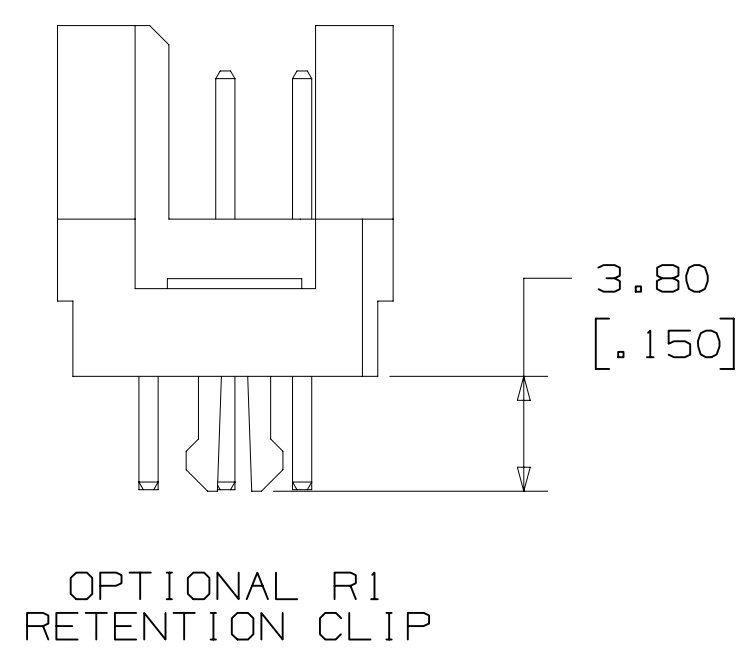
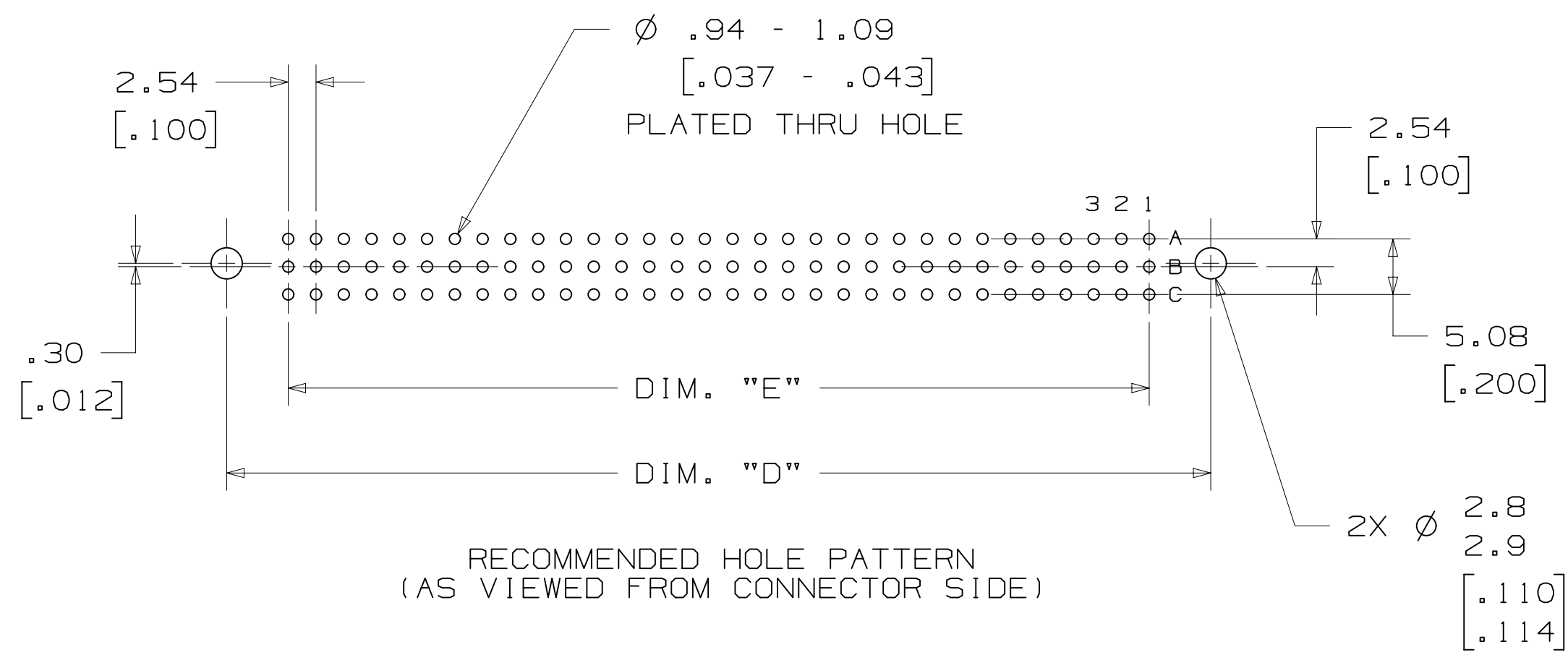
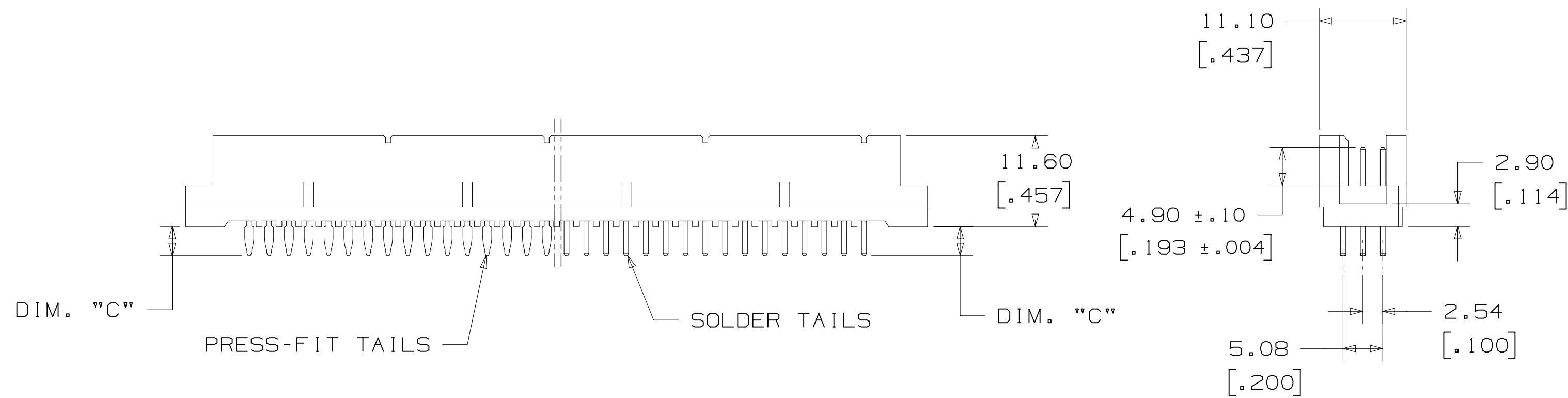
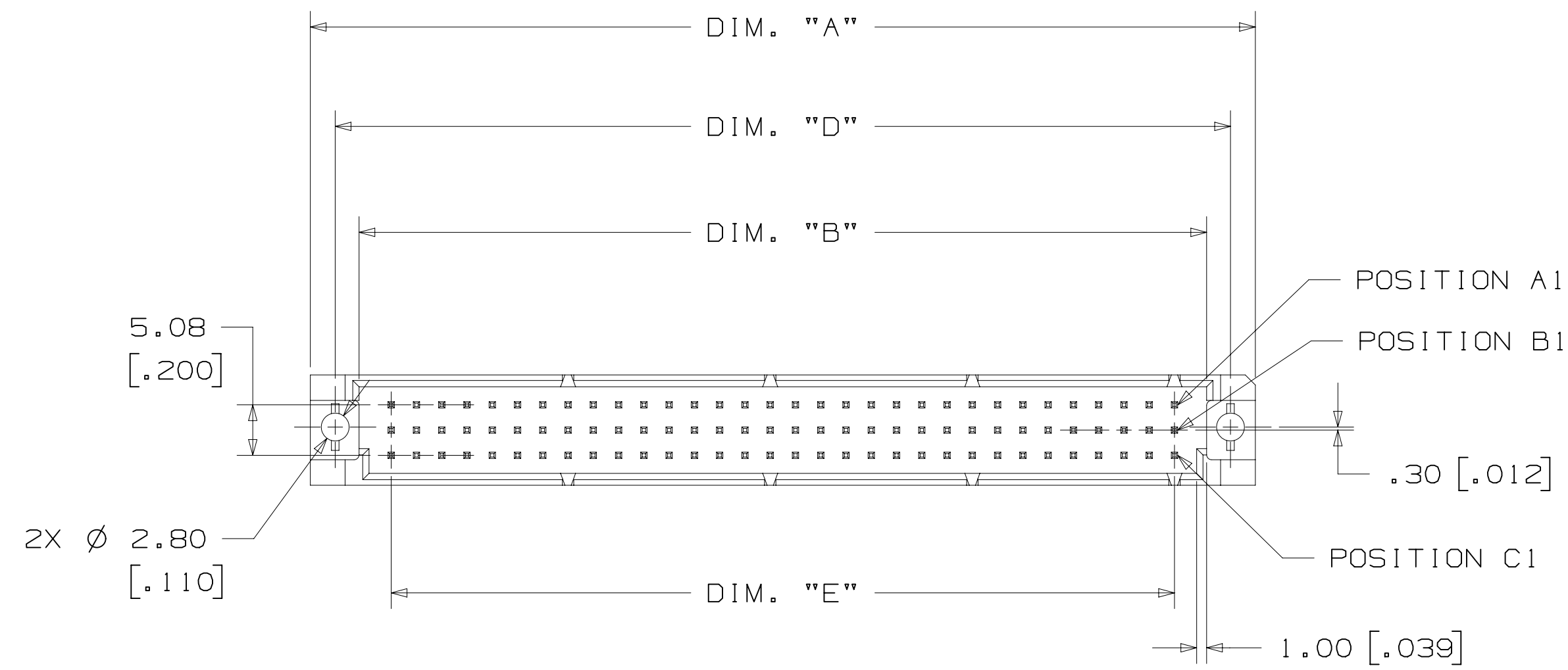


Detail A
 SCALE 20x
 HAND SLIP-ON OPTION

DESIGN REFERENCE	NEXT ASSEMBLY	REV	ECO	ISSUE DATE AND DESCRIPTION	DRFT	CHKD
APPROVED	DATE	DATE	DATE	DATE	DATE	DATE
DIVISION	DIVISION CODE	© 3M COPYRIGHT 2017 This document and the information it contains are 3M property and may not be reproduced or further distributed without 3M permission, or used or disclosed other than for 3M authorized purposes. All rights reserved.				
DO NOT SCALE DRAWING	SCALE 2/1	TOLERANCES EXCEPT AS NOTED INCHES .00 ± .000 ± .0000 ± MILLIMETERS 0 ± .00 ± .000 ± .000 ±				
THIRD ANGLE PROJECTION	INTERPRET PER ASME Y14.5 - 2009	TITLE DIN C & R-FORM PLUG, RA, VERT, SOLDER TAIL OR PRESS-FIT				
MAX SURFACE ROUGHNESS	MARKED SURFACES	CAGE NUMBER	SIZE	DRAWING NO.	REV.	
		D78-5100-2671-5	B			
		MODEL	DET	LISTS	YES	NO
						SHT 2 OF 5

78-5100-2671-5
 DRAWING NUMBER
 B
 REVISION
 A
 Standard Time5/30/2017UTC Offset

3M™ DIN C-FORM & R-FORM PLUG, DIN 41612 SERIES
 VERTICAL, RIGHT ANGLE, SOLDER TAIL OR PRESS-FIT TERMINATION, .100" BACKPLANE REAR PLUG



CONTACT QTY.	PART NUMBER	DIM. "A"	DIM. "B"	DIM. "D"	DIM. "E"	CONTACT QTY.
16	DIN-016RPA-XXX-XXXX	54.40 [2.142]	44.60 [1.756]	50.00 [1.969]	38.10 [1.500]	16
32	DIN-032RPB-XXX-XXXX	54.40 [2.142]	44.60 [1.756]	50.00 [1.969]	38.10 [1.500]	32
48	DIN-048RPC-XXX-XXXX	54.40 [2.142]	44.60 [1.756]	50.00 [1.969]	38.10 [1.500]	48
32	DIN-032RPD-XXX-XXXX	54.40 [2.142]	44.60 [1.756]	50.00 [1.969]	38.10 [1.500]	32
16	DIN-016RPE-XXX-XXXX	54.40 [2.142]	44.60 [1.756]	50.00 [1.969]	38.10 [1.500]	16
32	DIN-032RPA-XXX-XXXX	95.00 [3.740]	85.20 [3.354]	90.00 [3.543]	78.74 [3.100]	32
64	DIN-064RPB-XXX-XXXX	95.00 [3.740]	85.20 [3.354]	90.00 [3.543]	78.74 [3.100]	64
96	DIN-096RPC-XXX-XXXX	95.00 [3.740]	85.20 [3.354]	90.00 [3.543]	78.74 [3.100]	96
64	DIN-064RPD-XXX-XXXX	95.00 [3.740]	85.20 [3.354]	90.00 [3.543]	78.74 [3.100]	64
32	DIN-032RPE-XXX-XXXX	95.00 [3.740]	85.20 [3.354]	90.00 [3.543]	78.74 [3.100]	32
40	DIN-040RPA-XXX-XXXX	115.40 [4.543]	105.52 [4.154]	110.32 [4.343]	99.06 [3.900]	40
80	DIN-080RPB-XXX-XXXX	115.40 [4.543]	105.52 [4.154]	110.32 [4.343]	99.06 [3.900]	80
120	DIN-120RPC-XXX-XXXX	115.40 [4.543]	105.52 [4.154]	110.32 [4.343]	99.06 [3.900]	120
80	DIN-080RPD-XXX-XXXX	115.40 [4.543]	105.52 [4.154]	110.32 [4.343]	99.06 [3.900]	80
40	DIN-040RPE-XXX-XXXX	115.40 [4.543]	105.52 [4.154]	110.32 [4.343]	99.06 [3.900]	40

ORDERING INFORMATION
 R-FORM VERSION

DIN-XXXXRPX-XXX-XX

CONTACT QUANTITY:
 (SEE TABLE 1)

PLATING:

- A = A ROW ONLY (SEE NOTE)
- B = ROWS A & C FILLED
- C = ROWS A, B & C FILLED
- D = ROWS A & B FILLED
- E = B ROW ONLY (SEE NOTE)

- KR = 30-40μ" GOLD ON CONTACT AREA
 120-200μ" MATTE TIN ON TERMINAL
- HM = 3μ" GOLD ON CONTACT AREA, 7μ" MIN. PdNi
 120-200μ" MATTE TIN ON TERMINAL
- KV = 30μ" GOLD ON CONTACT AREA, 1-3μ" GOLD
 ON BOARD TERMINATION

TERMINATION OPTIONS:
 SEE TABLE 2

- NOTE:
- 1) A AND E OPTIONS ARE CURRENTLY NOT COVERED IN UL FILE NO. E68080.
 - 2) EARLY MATE LATE BREAK (EMLB) AND SELECTIVE LOADING OPTIONS AVAILABLE.
 - 3) MATES WITH C-FORM AND R-FORM SOCKETS.

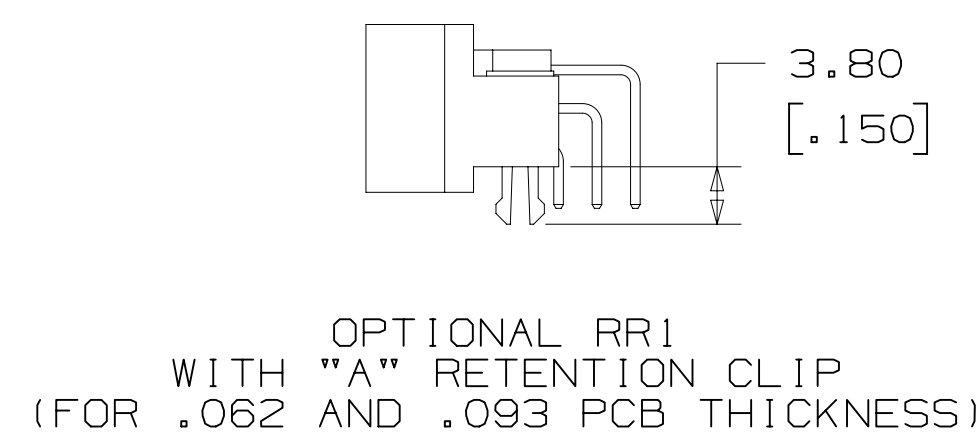
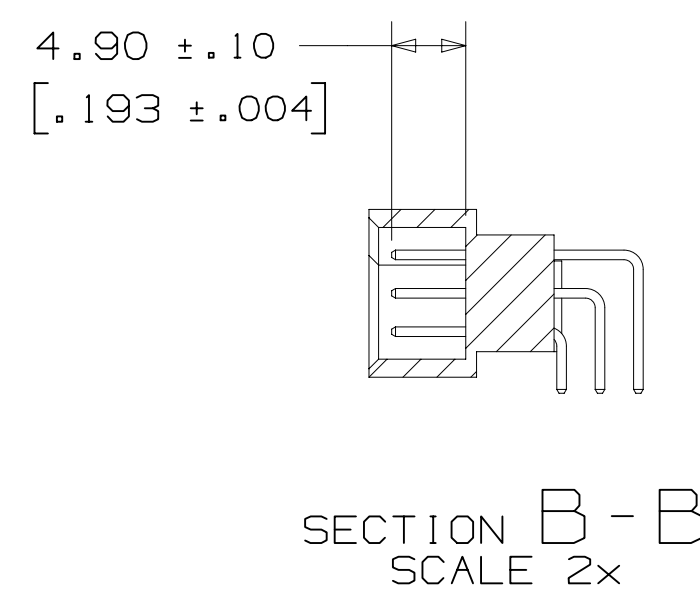
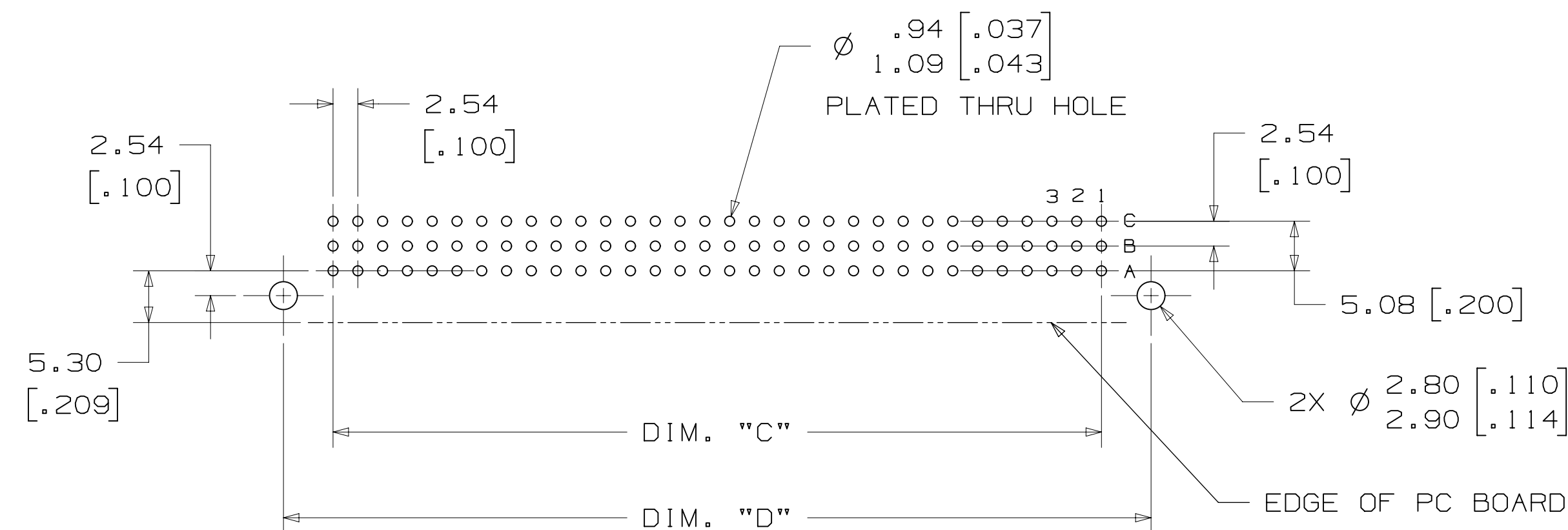
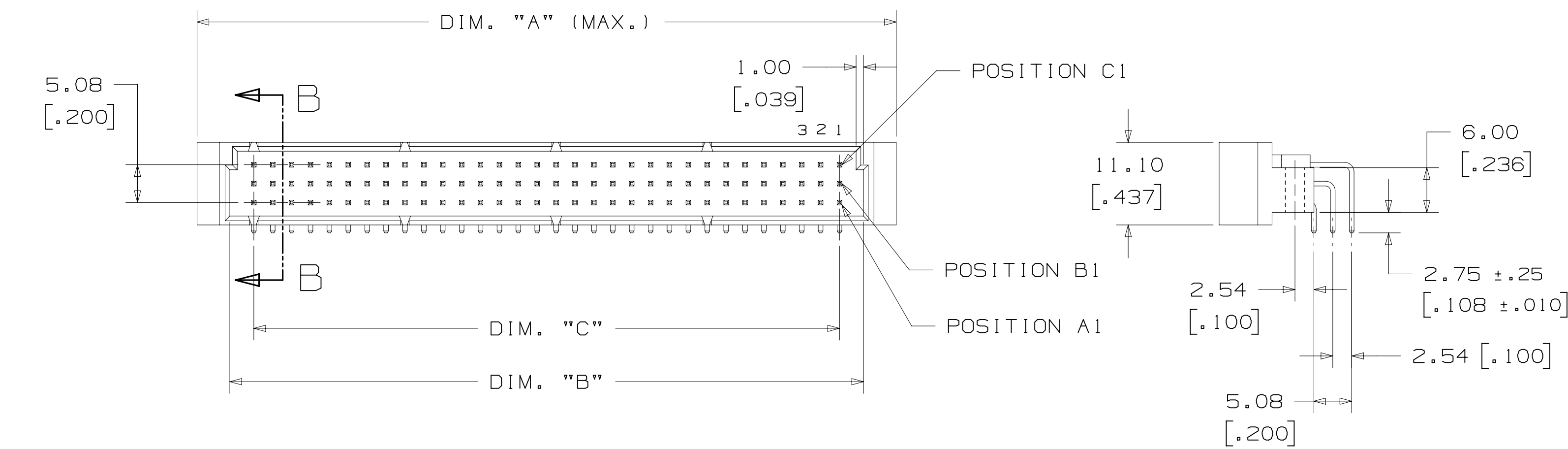
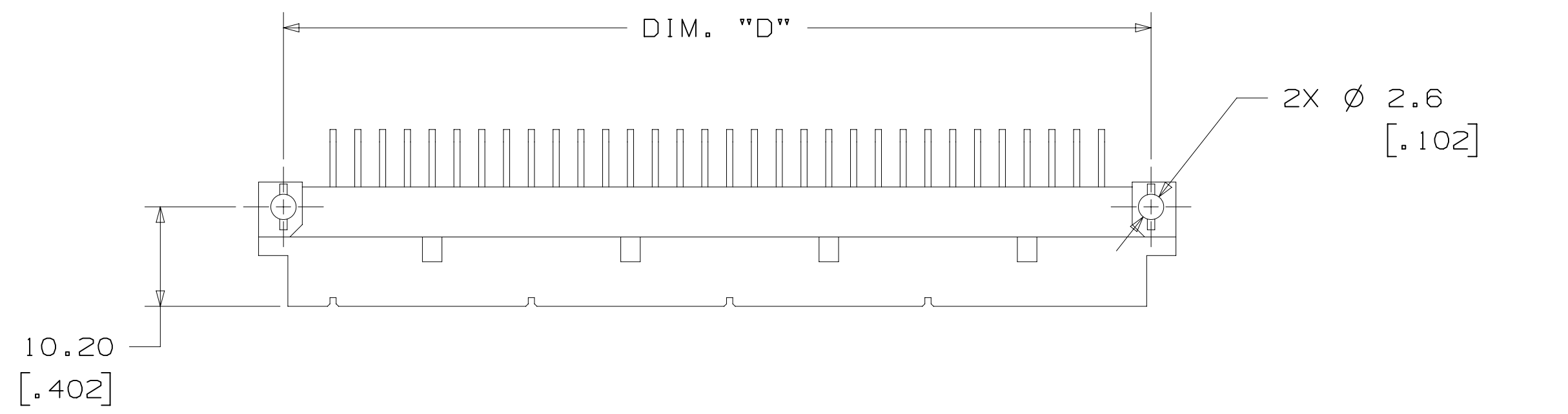
THIS DIAGRAM SERVES ONLY FOR PART NUMBER DESCRIPTIVE DEFINITIONS.
 PLEASE CONTACT YOUR LOCAL SALES REPRESENTATIVE FOR CUSTOMER SPECIFIC
 PRODUCT CONFIGURATIONS.

SOLDER TERMINATION OPTION NO.	DIM. "C"	COMMENTS
R1	3.75 [.148]	WITH RETENTION CLIP
S1	3.75 [.148]	NO RETENTION CLIP
W	14.70 [.579]	NO RETENTION CLIP
PRESS-FIT TERMINATION OPTION NO.	DIM. "C"	COMMENTS
DPS	5.00 [.197]	
DPW1	13.25 [.522]	

REV	ECO	ISSUE DATE AND DESCRIPTION	DRFT	CHKD
		FEB 20, 2017		
DESIGNER	CASTIGLIONE	DATE	FEB 20, 2017	
APPROV	W. LEE	DATE	FEB 20, 2017	
DIVISION	EMSD	© 3M COPYR[IGHT] 2017 This document and the information it contains are 3M property and may not be reproduced or further distributed without 3M permission, or used or disclosed other than for 3M authorized purposes. All rights reserved.		
DO NOT SCALE DRAWING	SCALE 2/1	TOLERANCES EXCEPT AS NOTED	3M 3M Center St. Paul, MN 55144	
THIRD ANGLE PROJECTION	INCHES	0 ±	TITLE DIN C & R-FORM PLUG, RA, VERT, SOLDER TAIL OR PRESS-FIT	
INTERPRET PER ASME Y14.5 - 2009	MILLIMETERS	0 ±	CAGE NUMBER D78-5100-2671-5	
MAX SURFACE ROUGHNESS	0 ±	0 ±	DRAWING NO. 78-5100-2671-5	
MIN SURFACE ROUGHNESS	0 ±	0 ±	REV. B	
MARKED ONLY	ANGLES	0 ±	MODEL SHT 3 OF 5	

Imaged: B.1 Central Standard Time 5/30/2017 UTC Offset

3M™ DIN C-FORM & R-FORM PLUG, DIN 41612 SERIES
 VERTICAL, RIGHT ANGLE, SOLDER TAIL OR PRESS-FIT TERMINATION, .100" BACKPLANE REAR PLUG



OPTION SR1 WITHOUT RETENTION CLIP

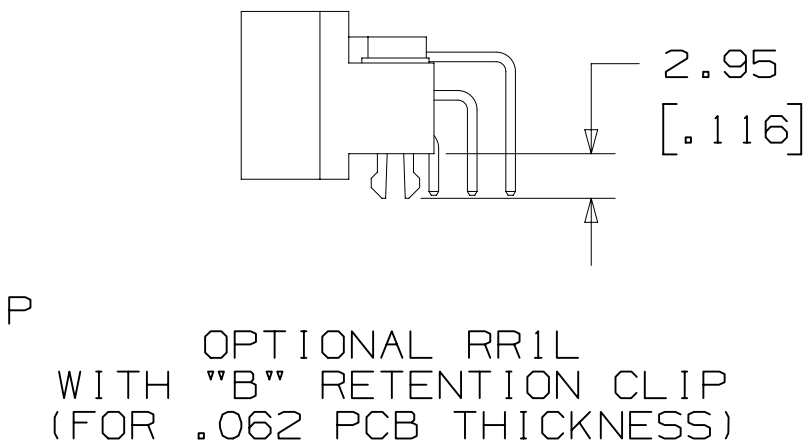


TABLE 1						
CONTACT QTY.	PART NUMBER	DIM. "A"	DIM. "B"	DIM. "C"	DIM. "D"	CONTACT QTY.
16	DIN-016CPA-XXX-XXXX	54.40 [2.142]	44.56 [1.754]	38.10 [1.500]	48.26 [1.900]	16
32	DIN-032CPB-XXX-XXXX	54.40 [2.142]	44.56 [1.754]	38.10 [1.500]	48.26 [1.900]	32
48	DIN-048CPC-XXX-XXXX	54.40 [2.142]	44.56 [1.754]	38.10 [1.500]	48.26 [1.900]	48
32	DIN-032CPD-XXX-XXXX	54.40 [2.142]	44.56 [1.754]	38.10 [1.500]	48.26 [1.900]	32
16	DIN-016CPE-XXX-XXXX	54.40 [2.142]	44.56 [1.754]	38.10 [1.500]	48.26 [1.900]	16
32	DIN-032CPA-XXX-XXXX	94.00 [3.701]	85.20 [3.354]	78.74 [3.100]	88.90 [3.500]	32
64	DIN-064CPB-XXX-XXXX	94.00 [3.701]	85.20 [3.354]	78.74 [3.100]	88.90 [3.500]	64
96	DIN-096CPC-XXX-XXXX	94.00 [3.701]	85.20 [3.354]	78.74 [3.100]	88.90 [3.500]	96
64	DIN-064CPD-XXX-XXXX	94.00 [3.701]	85.20 [3.354]	78.74 [3.100]	88.90 [3.500]	64
32	DIN-032CPE-XXX-XXXX	94.00 [3.701]	85.20 [3.354]	78.74 [3.100]	88.90 [3.500]	32

ORDERING INFORMATION
 C-FORM VERSION

DIN-XXXCPX-XXX-XX

CONTACT QUANTITY:
 (SEE TABLE 1)

PLATING:

KR = 30-40µ" GOLD ON CONTACT AREA
 120-200µ" MATTE TIN ON TERMINAL
 HM = 3µ" GOLD ON CONTACT AREA, 7µ" MIN. PdNi
 120-200µ" MATTE TIN ON TERMINAL

A = A ROW ONLY (SEE NOTE)
 B = ROWS A & C FILLED
 C = ROWS A, B & C FILLED
 D = ROWS A & B FILLED
 E = B ROW ONLY (SEE NOTE)

TERMINATION OPTIONS:

SOLDER TAIL TERMINATION
 SR1 = .275 [.108]
 RRIL = 2.75 [.108] WITH 'B' RETENTION CLIP
 RRI = 2.75 [.108] WITH 'A' RETENTION CLIP

NOTE:

- 1) A AND E OPTIONS ARE CURRENTLY NOT COVERED IN UL FILE NO. E68080.
- 2) EARLY MATE LATE BREAK (EMLB) OPTIONS AVAILABLE.
- 3) MATES WITH C-FORM AND R-FORM SOCKETS.

THIS DIAGRAM SERVES ONLY FOR PART NUMBER DESCRIPTIVE DEFINITIONS.
 PLEASE CONTACT YOUR LOCAL SALES REPRESENTATIVE FOR CUSTOMER SPECIFIC
 PRODUCT CONFIGURATIONS.

B	73823	MAY 30, 2017	JNC	WL
A	72454	FEB 24, 2017	JNC	WL
REV	ECO	ISSUE DATE AND DESCRIPTION	DRFT	CHKD
CHKD	CASTIGLIONE	FEB 20, 2017	DATE	DATE
DATE	FEB 20, 2017	DATE	FEB 20, 2017	DATE
DIVISION CODE EMSD				
DO NOT SCALE DRAWING SCALE 2/1 TOLERANCES EXCEPT AS NOTED INCHES .00 ± .000 ± .0000 ± MILLIMETERS 0 ± .00 ± .000 ± .000 ±				
THIRD ANGLE PROJECTION INTERPRET PER ASME Y14.5 - 2009				
MAX SURFACE ROUGHNESS SURFACES .00 ± .000 ± .000 ±				
TITLE DIN C & R-FORM PLUG, RA, VERT, SOLDER TAIL OR PRESS-FIT				
CAGE NUMBER	SIZE	DRAWING NO.	REV.	
D		78-5100-2671-5	B	
MODEL DET: [] IS1s [] YES [] NO [] SHT 4 OF 5				

B REVISION
 78-5100-2671-5
 DRAWING NUMBER
 B
 A Standard Time 5/30/2017 UTC Offset

3M™ DIN C-FORM & R-FORM PLUG, DIN 41612 SERIES
 VERTICAL, RIGHT ANGLE, SOLDER TAIL OR PRESS-FIT TERMINATION, .100" BACKPLANE REAR PLUG


Technical Information: The technical information, recommendations and other statements contained in this document are based upon tests or experience that 3M believes are reliable, but the accuracy or completeness of such information is not guaranteed.

Product Use: Many factors beyond 3M's control and uniquely within user's knowledge and control can affect the use and performance of a 3M product in a particular application. Given the variety of factors that can affect the use and performance of a 3M product, user is solely responsible for evaluating the 3M product and determining whether it is fit for a particular purpose and suitable for user's method of application.

Warranty, Limited Remedy, and Disclaimer: Unless an additional warranty is specifically stated on the applicable 3M product packaging or product literature, 3M warrants that each 3M product meets the applicable 3M product specification at the time 3M ships the product. 3M MAKES NO OTHER WARRANTIES OR CONDITIONS, EXPRESS OR IMPLIED, INCLUDING, BUT NOT LIMITED TO, ANY IMPLIED WARRANTY OR CONDITION OF MERCHANTABILITY OR FITNESS FOR A PARTICULAR PURPOSE OR ANY IMPLIED WARRANTY OR CONDITION ARISING OUT OF A COURSE OF DEALING, CUSTOM OR USAGE OF TRADE. If the 3M product does not conform to this warranty, then the sole and exclusive remedy is, at 3M's option, replacement of the 3M product or refund of the purchase price.

Limitation of Liability: Except where prohibited by law, 3M will not be liable for any loss or damage arising from the 3M product, whether direct, indirect, special, incidental or consequential, regardless of the legal theory asserted, including warranty, contract, negligence or strict liability.

Unless otherwise noted, references to industry specifications are intended to indicate substantial compliance to the material elements of the specification. Such references should not be construed as a guarantee of compliance to all requirements in a given specification.

DESIGN REFERENCE	NEXT ASSEMBLY	REV	ECO	ISSUE DATE AND DESCRIPTION	DRFT	CHKD
DO NOT SCALE DRAWING	SCALE $\frac{2}{1}$	TOLERANCES EXCEPT AS NOTED		 © 3M COPYRIGHT 2017 This document and the information it contains are 3M property and may not be reproduced or further distributed without 3M permission, or used or disclosed other than for 3M authorized purposes. All rights reserved.		
THIRD ANGLE PROJECTION	INTERPRET PER ASME Y14.5 - 2009	MILLIMETERS		TITLE DIN C & R-FORM PLUG, RA, VERT, SOLDER TAIL OR PRESS-FIT		
MAX SURFACE ROUGHNESS	MARKED ONLY	INCHES		CAGE NUMBER D78-5100-2671-5		
		MILLIMETERS		DRAWING NO. 78-5100-2671-5		
		INCHES		REV. B		
		MILLIMETERS		MODEL SHT 5 OF 5		
		INCHES		DET. YES <input type="checkbox"/> NO <input checked="" type="checkbox"/>		

78-5100-2671-5 DRAWING NUMBER
 B REVISION
 B
 A
 Standard Time 5/30/2017 UTC OffSet