



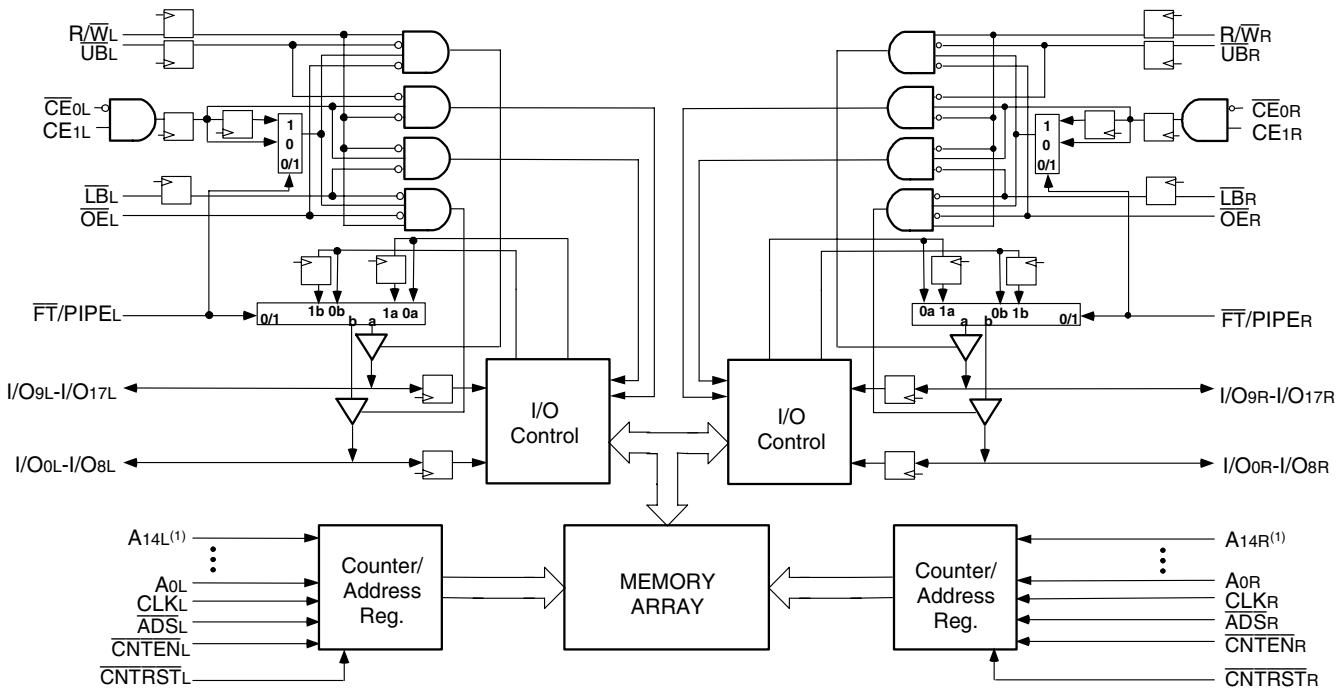
# HIGH-SPEED 32/16K x 18 SYNCHRONOUS PIPELINED DUAL-PORT STATIC RAM

IDT709379/69L

## Features

- ◆ True Dual-Ported memory cells which allow simultaneous access of the same memory location
- ◆ High-speed clock to data access
  - Commercial: 7.5/9/12ns (max.)
  - Industrial: 9ns (max.)
- ◆ Low-power operation
  - IDT709379/69L
  - Active: 1.2W (typ.)
  - Standby: 2.5mW (typ.)
- ◆ Flow-Through or Pipelined output mode on either Port via the FT/PIPEL pins
- ◆ Counter enable and reset features
- ◆ Dual chip enables allow for depth expansion without additional logic
- ◆ Full synchronous operation on both ports
  - 4ns setup to clock and 0ns hold on all control, data, and address inputs
  - Data input, address, and control registers
  - Fast 7.5ns clock to data out in the Pipelined output mode
  - Self-timed write allows fast cycle time
  - 10ns cycle time, 100MHz operation in Pipelined output mode
- ◆ Separate upper-byte and lower-byte controls for multiplexed bus and bus matching compatibility
- ◆ TTL-compatible, single 5V (±10%) power supply
- ◆ Industrial temperature range (–40°C to +85°C) is available for selected speeds
- ◆ Available in a 100-pin Thin Quad Flatpack (TQFP) package
- ◆ Green parts available, see ordering information

## Functional Block Diagram



4845 drw 01

### NOTE:

1. A14x is a NC for IDT709369.

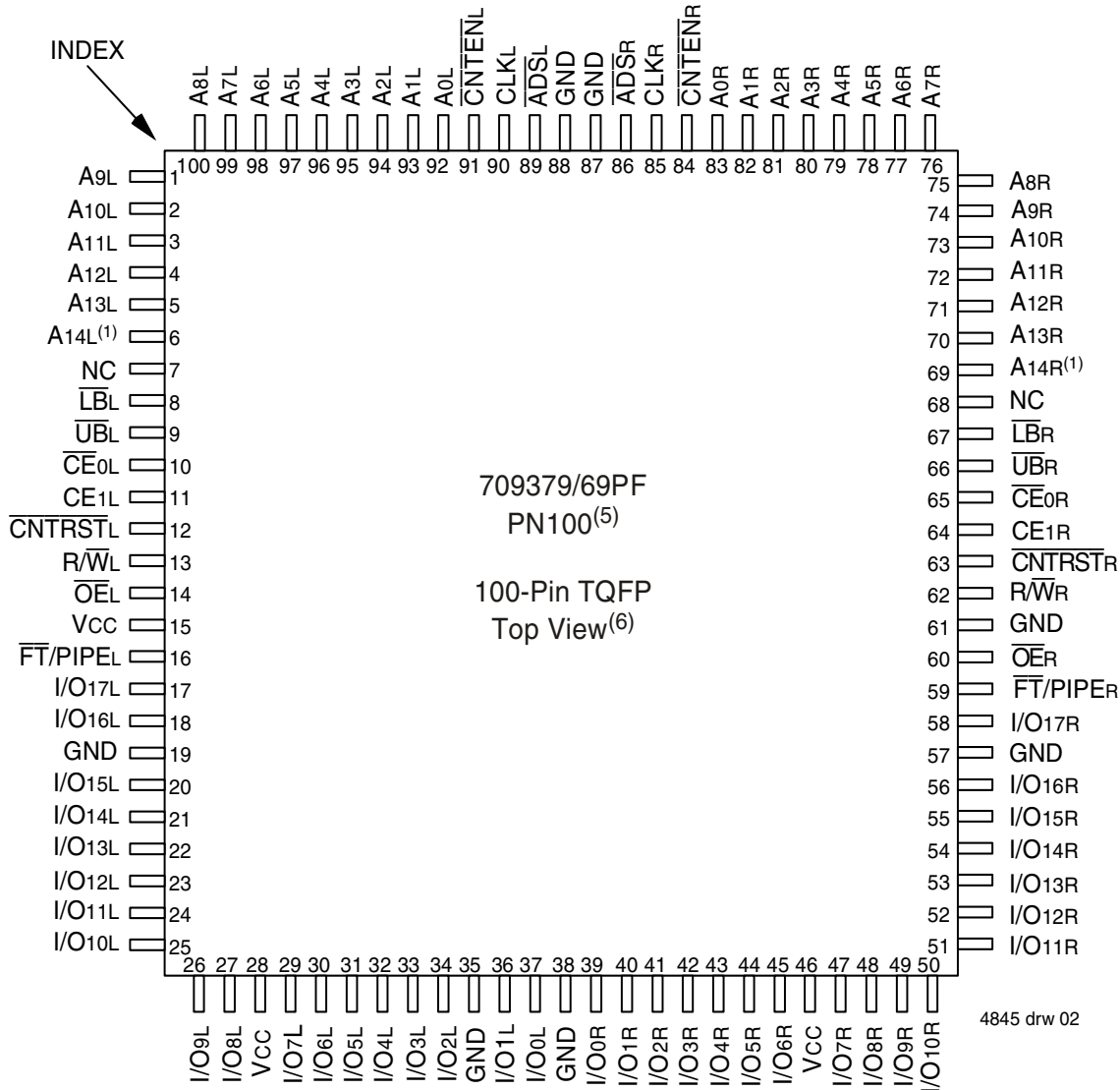
JULY 2015

## Description

The IDT709379/69 is a high-speed 32/16K x 18 bit synchronous Dual-Port RAM. The memory array utilizes Dual-Port memory cells to allow simultaneous access of any address from both ports. Registers on control, data, and address inputs provide minimal setup and hold times. The timing latitude provided by this approach allows systems to be designed with very short cycle times.

With an input data register, the IDT709379/69 has been optimized for applications having unidirectional or bidirectional data flow in bursts. An automatic power down feature, controlled by  $\overline{CE0}$  and  $CE1$ , permits the on-chip circuitry of each port to enter a very low standby power mode. Fabricated using CMOS high-performance technology, these devices typically operate on only 1.2W of power.

## Pin Configurations<sup>(1,2,3)</sup>



### NOTES:

1. A14x is a NC for IDT709369.
2. All Vcc pins must be connected to power supply.
3. All GND pins must be connected to ground.
4. Package body is approximately 14mm x 14mm x 1.4mm
5. This package code is used to reference the package diagram.
6. This text does not indicate orientation of the actual part-marking.

## Pin Names

Left Port	Right Port	Names
$\overline{CE}_{0L}$ , CE <sub>1L</sub>	$\overline{CE}_{0R}$ , CE <sub>1R</sub>	Chip Enables <sup>(3)</sup>
R $\overline{W}$ L	R $\overline{W}$ R	Read/Write Enable
$\overline{OE}_L$	$\overline{OE}_R$	Output Enable
A <sub>0L</sub> - A <sub>14L</sub> <sup>(1)</sup>	A <sub>0R</sub> - A <sub>14R</sub> <sup>(1)</sup>	Address
I/O <sub>0L</sub> - I/O <sub>17L</sub>	I/O <sub>0R</sub> - I/O <sub>17R</sub>	Data Input/Output
CLKL	CLKR	Clock
$\overline{UB}_L$	$\overline{UB}_R$	Upper Byte Select <sup>(2)</sup>
$\overline{LB}_L$	$\overline{LB}_R$	Lower Byte Select <sup>(2)</sup>
$\overline{ADS}_L$	$\overline{ADS}_R$	Address Strobe
$\overline{CNTEN}_L$	$\overline{CNTEN}_R$	Counter Enable
$\overline{CNTRST}_L$	$\overline{CNTRST}_R$	Counter Reset
$\overline{FT/PIPE}_L$	$\overline{FT/PIPE}_R$	Flow-Through/Pipeline
VCC		Power
GND		Ground

4845 tbl 01

### NOTES:

1. A14x is a NC for IDT709369.
2.  $\overline{LB}$  and  $\overline{UB}$  are single buffered regardless of state of  $\overline{FT/PIPE}$ .
3.  $\overline{CE}_0$  and CE<sub>1</sub> are single buffered when  $\overline{FT/PIPE} = V_{IL}$ ,  
 $\overline{CE}_0$  and CE<sub>1</sub> are double buffered when  $\overline{FT/PIPE} = V_{IH}$ ,  
 i.e. the signals take two cycles to deselect.

## Truth Table I—Read/Write and Enable Control<sup>(1,2,3)</sup>

$\overline{OE}$	CLK	$\overline{CE}_0$	CE <sub>1</sub>	$\overline{UB}$	$\overline{LB}$	R $\overline{W}$	Upper Byte I/O <sub>9-17</sub>	Lower Byte I/O <sub>0-8</sub>	Mode
X	↑	H	X	X	X	X	High-Z	High-Z	Deselected—Power Down
X	↑	X	L	X	X	X	High-Z	High-Z	Deselected—Power Down
X	↑	L	H	H	H	X	High-Z	High-Z	Both Bytes Deselected
X	↑	L	H	L	H	L	DATA <sub>IN</sub>	High-Z	Write to Upper Byte Only
X	↑	L	H	H	L	L	High-Z	DATA <sub>IN</sub>	Write to Lower Byte Only
X	↑	L	H	L	L	L	DATA <sub>IN</sub>	DATA <sub>IN</sub>	Write to Both Bytes
L	↑	L	H	L	H	H	DATA <sub>OUT</sub>	High-Z	Read Upper Byte Only
L	↑	L	H	H	L	H	High-Z	DATA <sub>OUT</sub>	Read Lower Byte Only
L	↑	L	H	L	L	H	DATA <sub>OUT</sub>	DATA <sub>OUT</sub>	Read Both Bytes
H	X	L	H	L	L	X	High-Z	High-Z	Outputs Disabled

4845 tbl 02

### NOTES:

1. "H" = V<sub>IH</sub>, "L" = V<sub>IL</sub>, "X" = Don't Care.
2.  $\overline{ADS}$ ,  $\overline{CNTEN}$ ,  $\overline{CNTRST}$  = X.
3.  $\overline{OE}$  is an asynchronous input signal.

**Truth Table II—Address Counter Control<sup>(1,2,6)</sup>**

External Address	Previous Internal Address	Internal Address Used	CLK	$\overline{ADS}$	$\overline{CNTEN}$	$\overline{CNRST}$	I/O <sup>(3)</sup>	MODE
An	X	An	↑	L <sup>(4)</sup>	X	H	D <sub>I/O</sub> (n)	External Address Used
X	An	An + 1	↑	H	L <sup>(5)</sup>	H	D <sub>I/O</sub> (n+1)	Counter Enabled—Internal Address generation
X	An + 1	An + 1	↑	H	H	H	D <sub>I/O</sub> (n+1)	External Address Blocked—Counter disabled (An + 1 reused)
X	X	A0	↑	X	X	L <sup>(4)</sup>	D <sub>I/O</sub> (0)	Counter Reset to Address 0

4845 tbl 03

**NOTES:**

- "H" = V<sub>IH</sub>, "L" = V<sub>IL</sub>, "X" = Don't Care.
- $\overline{CE_0}$ ,  $\overline{LB}$ ,  $\overline{UB}$ , and  $\overline{OE}$  = V<sub>IL</sub>; CE<sub>1</sub> and  $\overline{R/W}$  = V<sub>IH</sub>.
- Outputs configured in Flow-Through Output mode: if outputs are in Pipelined mode the data out will be delayed by one cycle.
- $\overline{ADS}$  is independent of all other signals including  $\overline{CE_0}$ , CE<sub>1</sub>,  $\overline{UB}$  and  $\overline{LB}$ .
- The address counter advances if  $\overline{CNTEN}$  = V<sub>IL</sub> on the rising edge of CLK, regardless of all other signals including  $\overline{CE_0}$ , CE<sub>1</sub>,  $\overline{UB}$  and  $\overline{LB}$ .
- While an external address is being loaded ( $\overline{ADS}$  = V<sub>IL</sub>),  $\overline{R/W}$  = V<sub>IH</sub> is recommended to ensure data is not written arbitrarily.

**Recommended Operating Temperature and Supply Voltage**

Grade	Ambient Temperature <sup>(2)</sup>	GND	Vcc
Commercial	0°C to +70°C	0V	5.0V ± 10%
Industrial	-40°C to +85°C	0V	5.0V ± 10%

4845 tbl 04

**NOTES:**

- This is the parameter T<sub>A</sub>. This is the "instant on" case temperature.

**Recommended DC Operating Conditions**

Symbol	Parameter	Min.	Typ.	Max.	Unit
Vcc	Supply Voltage	4.5	5.0	5.5	V
GND	Ground	0	0	0	V
V <sub>IH</sub>	Input High Voltage	2.2	—	6.0 <sup>(1)</sup>	V
V <sub>IL</sub>	Input Low Voltage	-0.5 <sup>(2)</sup>	—	0.8	V

4845 tbl 05

**NOTES:**

- V<sub>TERM</sub> must not exceed Vcc + 10%.
- V<sub>IL</sub> ≥ -1.5V for pulse width less than 10ns.

**Absolute Maximum Ratings<sup>(1)</sup>**

Symbol	Rating	Commercial & Industrial	Unit
V <sub>TERM</sub> <sup>(2)</sup>	Terminal Voltage with Respect to GND	-0.5 to +7.0	V
T <sub>BIAS</sub>	Temperature Under Bias	-55 to +125	°C
T <sub>STG</sub>	Storage Temperature	-65 to +150	°C
T <sub>JN</sub>	Junction Temperature	+150	°C
I <sub>OUT</sub>	DC Output Current	50	mA

4845 tbl 06

**NOTES:**

- Stresses greater than those listed under ABSOLUTE MAXIMUM RATINGS may cause permanent damage to the device. This is a stress rating only and functional operation of the device at these or any other conditions above those indicated in the operational sections of this specification is not implied. Exposure to absolute maximum rating conditions for extended periods may affect reliability.
- V<sub>TERM</sub> must not exceed Vcc + 10% for more than 25% of the cycle time or 10ns maximum, and is limited to ≤ 20mA for the period of V<sub>TERM</sub> ≥ Vcc + 10%.
- Ambient Temperature Under Bias. No AC Conditions. Chip Deselected.

**Capacitance<sup>(1)</sup>****(T<sub>A</sub> = +25°C, f = 1.0MHz)**

Symbol	Parameter	Conditions <sup>(2)</sup>	Max.	Unit
C <sub>IN</sub>	Input Capacitance	V <sub>IN</sub> = 3dV	9	pF
C <sub>OUT</sub> <sup>(3)</sup>	Output Capacitance	V <sub>OUT</sub> = 3dV	10	pF

4845 tbl 07

**NOTES:**

- These parameters are determined by device characterization, but are not production tested.
- 3dV references the interpolated capacitance when the input and output switch from 0V to 3V or from 3V to 0V.
- C<sub>OUT</sub> also references C<sub>I/O</sub>.

## DC Electrical Characteristics Over the Operating Temperature Supply Voltage Range ( $V_{CC} = 5.0V \pm 10\%$ )

Symbol	Parameter	Test Conditions	709379/69L		Unit
			Min.	Max.	
$ I_{LI} $	Input Leakage Current <sup>(1)</sup>	$V_{CC} = 5.5V, V_{IN} = 0V \text{ to } V_{CC}$	—	5	$\mu A$
$ I_{LO} $	Output Leakage Current	$\overline{CE}_0 = V_{IH} \text{ or } CE_1 = V_{IL}, V_{OUT} = 0V \text{ to } V_{CC}$	—	5	$\mu A$
$V_{OL}$	Output Low Voltage	$I_{OL} = +4mA$	—	0.4	V
$V_{OH}$	Output High Voltage	$I_{OH} = -4mA$	2.4	—	V

4845 tbl 08

## NOTE:

- At  $V_{CC} \leq 2.0V$  input leakages are undefined.

## DC Electrical Characteristics Over the Operating Temperature and Supply Voltage Range<sup>(3)</sup> ( $V_{CC} = 5V \pm 10\%$ )

Symbol	Parameter	Test Condition	Version	709379/69L7 Com'l Only		709379/69L9 Com'l & Ind		709379/69L12 Com'l Only		Unit
				Typ. <sup>(4)</sup>	Max.	Typ. <sup>(4)</sup>	Max.	Typ. <sup>(4)</sup>	Max.	
ICC	Dynamic Operating Current (Both Ports Active)	$\overline{CE}_L \text{ and } \overline{CE}_R = V_{IL}$ Outputs Disabled $f = f_{MAX}^{(1)}$	COM'L L	250	440	250	400	230	355	mA
			IND L	—	—	300	430	—	—	
ISB1	Standby Current (Both Ports - TTL Level Inputs)	$\overline{CE}_L = \overline{CE}_R = V_{IH}$ $f = f_{MAX}^{(1)}$	COM'L L	65	145	80	135	70	110	mA
			IND L	—	—	95	160	—	—	
ISB2	Standby Current (One Port - TTL Level Inputs)	$\overline{CE}^A = V_{IL}$ and $\overline{CE}^B = V_{IH}^{(3)}$ Active Port Outputs Disabled, $f = f_{MAX}^{(1)}$	COM'L L	160	295	175	275	150	240	mA
			IND L	—	—	175	295	—	—	
ISB3	Full Standby Current (Both Ports - CMOS Level Inputs)	Both Ports $CE_R$ and $\overline{CE}_L \geq V_{CC} - 0.2V$ $V_{IN} \geq V_{CC} - 0.2V$ or $V_{IN} \leq 0.2V, f = 0^{(2)}$	COM'L L	0.2	5.0	0.5	3.0	0.5	3.0	mA
			IND L	—	—	0.5	6.0	—	—	
ISB4	Full Standby Current (One Port - CMOS Level Inputs)	$\overline{CE}^A \leq 0.2V$ and $\overline{CE}^B \geq V_{CC} - 0.2V^{(5)}$ $V_{IN} \geq V_{CC} - 0.2V$ or $V_{IN} \leq 0.2V$ , Active Port Outputs Disabled, $f = f_{MAX}^{(1)}$	COM'L L	150	290	170	270	140	225	mA
			IND L	—	—	190	290	—	—	

4845 tbl 09

## NOTES:

- At  $f = f_{MAX}$ , address and control lines (except Output Enable) are cycling at the maximum frequency clock cycle of  $1/t_{cvc}$ , using "AC TEST CONDITIONS" at input levels of GND to 3V.
- $f = 0$  means no address, clock, or control lines change. Applies only to input at CMOS level standby.
- Port "A" may be either left or right port. Port "B" is the opposite from port "A".
- $V_{CC} = 5V, T_A = 25^\circ C$  for Typ, and are not production tested.  $I_{CC} \text{ dc}(f=0) = 150mA$  (Typ).
- $CE_X = V_{IL}$  means  $\overline{CE}_{0X} = V_{IL}$  and  $CE_{1X} = V_{IH}$   
 $CE_X = V_{IH}$  means  $\overline{CE}_{0X} = V_{IH}$  or  $CE_{1X} = V_{IL}$   
 $CE_X \leq 0.2V$  means  $\overline{CE}_{0X} \leq 0.2V$  and  $CE_{1X} \geq V_{CC} - 0.2V$   
 $CE_X \geq V_{CC} - 0.2V$  means  $\overline{CE}_{0X} \geq V_{CC} - 0.2V$  or  $CE_{1X} \leq 0.2V$   
 "X" represents "L" for left port or "R" for right port.

### AC Test Conditions

Input Pulse Levels	GND to 3.0V
Input Rise/Fall Times	3ns Max.
Input Timing Reference Levels	1.5V
Output Reference Levels	1.5V
Output Load	Figures 1,2 and 3

4845 tbl 10

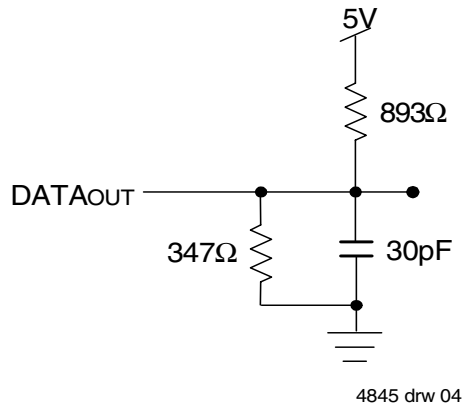


Figure 1. AC Output Test load.

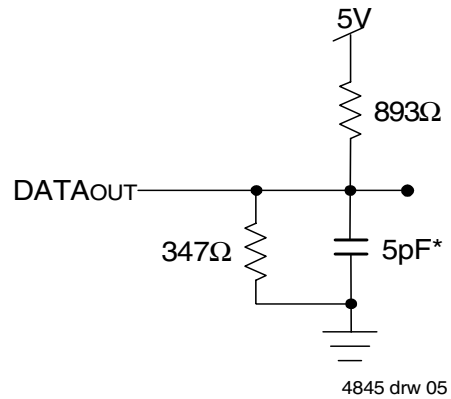


Figure 2. Output Test Load  
(For tCKLZ, tCKHZ, tOLZ, and tOHZ).  
\*Including scope and jig.

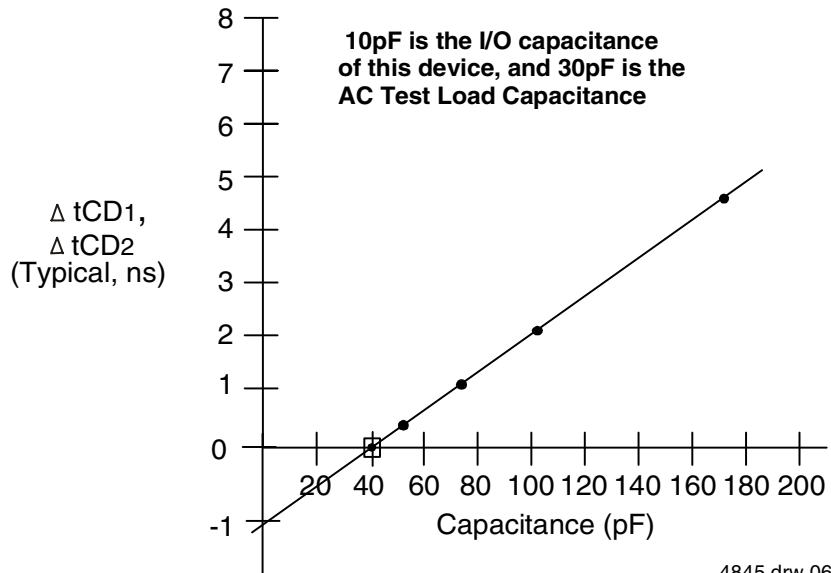


Figure 3. Typical Output Derating (Lumped Capacitive Load).

## AC Electrical Characteristics Over the Operating Temperature Range (Read and Write Cycle Timing)<sup>(3)</sup> (V<sub>CC</sub> = 5V ± 10%)

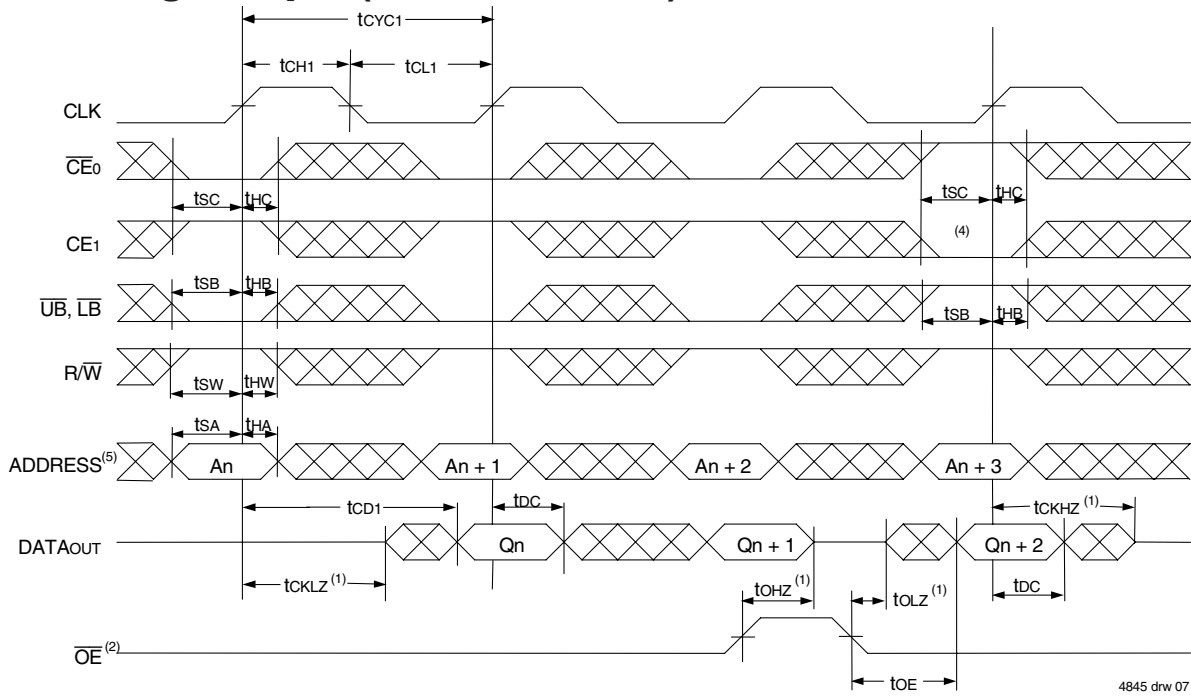
Symbol	Parameter	709379/69L7 Com'l Only		709379/69L9 Com'l & Ind		709379/69L12 Com'l Only		Unit
		Min.	Max.	Min.	Max.	Min.	Max.	
t <sub>CYC1</sub>	Clock Cycle Time (Flow-Through) <sup>(2)</sup>	22	—	25	—	30	—	ns
t <sub>CYC2</sub>	Clock Cycle Time (Pipelined) <sup>(2)</sup>	12	—	15	—	20	—	ns
t <sub>CH1</sub>	Clock High Time (Flow-Through) <sup>(2)</sup>	7.5	—	12	—	12	—	ns
t <sub>CL1</sub>	Clock Low Time (Flow-Through) <sup>(2)</sup>	7.5	—	12	—	12	—	ns
t <sub>CH2</sub>	Clock High Time (Pipelined) <sup>(2)</sup>	5	—	6	—	8	—	ns
t <sub>CL2</sub>	Clock Low Time (Pipelined) <sup>(2)</sup>	5	—	6	—	8	—	ns
t <sub>R</sub>	Clock Rise Time	—	3	—	3	—	3	ns
t <sub>F</sub>	Clock Fall Time	—	3	—	3	—	3	ns
t <sub>SA</sub>	Address Setup Time	4	—	4	—	4	—	ns
t <sub>HA</sub>	Address Hold Time	0	—	1	—	1	—	ns
t <sub>SC</sub>	Chip Enable Setup Time	4	—	4	—	4	—	ns
t <sub>HC</sub>	Chip Enable Hold Time	0	—	1	—	1	—	ns
t <sub>SB</sub>	Byte Enable Setup Time	4	—	4	—	4	—	ns
t <sub>HB</sub>	Byte Enable Hold Time	0	—	1	—	1	—	ns
t <sub>SW</sub>	R $\bar{W}$ Setup Time	4	—	4	—	4	—	ns
t <sub>HW</sub>	R $\bar{W}$ Hold Time	0	—	1	—	1	—	ns
t <sub>SD</sub>	Input Data Setup Time	4	—	4	—	4	—	ns
t <sub>HD</sub>	Input Data Hold Time	0	—	1	—	1	—	ns
t <sub>SAD</sub>	$\bar{A}D\bar{S}$ Setup Time	4	—	4	—	4	—	ns
t <sub>HAD</sub>	$\bar{A}D\bar{S}$ Hold Time	0	—	1	—	1	—	ns
t <sub>SCN</sub>	$\bar{C}N\bar{T}E\bar{N}$ Setup Time	4	—	4	—	4	—	ns
t <sub>HCN</sub>	$\bar{C}N\bar{T}E\bar{N}$ Hold Time	0	—	1	—	1	—	ns
t <sub>SRST</sub>	$\bar{C}N\bar{T}R\bar{S}\bar{T}$ Setup Time	4	—	4	—	4	—	ns
t <sub>HRST</sub>	$\bar{C}N\bar{T}R\bar{S}\bar{T}$ Hold Time	0	—	1	—	1	—	ns
t <sub>OE</sub>	Output Enable to Data Valid	—	7.5	—	9	—	12	ns
t <sub>OLZ</sub>	Output Enable to Output Low-Z <sup>(1)</sup>	2	—	2	—	2	—	ns
t <sub>OHZ</sub>	Output Enable to Output High-Z <sup>(1)</sup>	1	7	1	7	1	7	ns
t <sub>CD1</sub>	Clock to Data Valid (Flow-Through) <sup>(2)</sup>	—	18	—	20	—	25	ns
t <sub>CD2</sub>	Clock to Data Valid (Pipelined) <sup>(2)</sup>	—	7.5	—	9	—	12	ns
t <sub>DC</sub>	Data Output Hold After Clock High	2	—	2	—	2	—	ns
t <sub>CKHZ</sub>	Clock High to Output High-Z <sup>(1)</sup>	2	9	2	9	2	9	ns
t <sub>CKLZ</sub>	Clock High to Output Low-Z <sup>(1)</sup>	2	—	2	—	2	—	ns
<b>Port-to-Port Delay</b>								
t <sub>CWDD</sub>	Write Port Clock High to Read Data Delay	—	28	—	35	—	40	ns
t <sub>CCS</sub>	Clock-to-Clock Setup Time	—	10	—	15	—	15	ns

4845 tbl 11

**NOTES:**

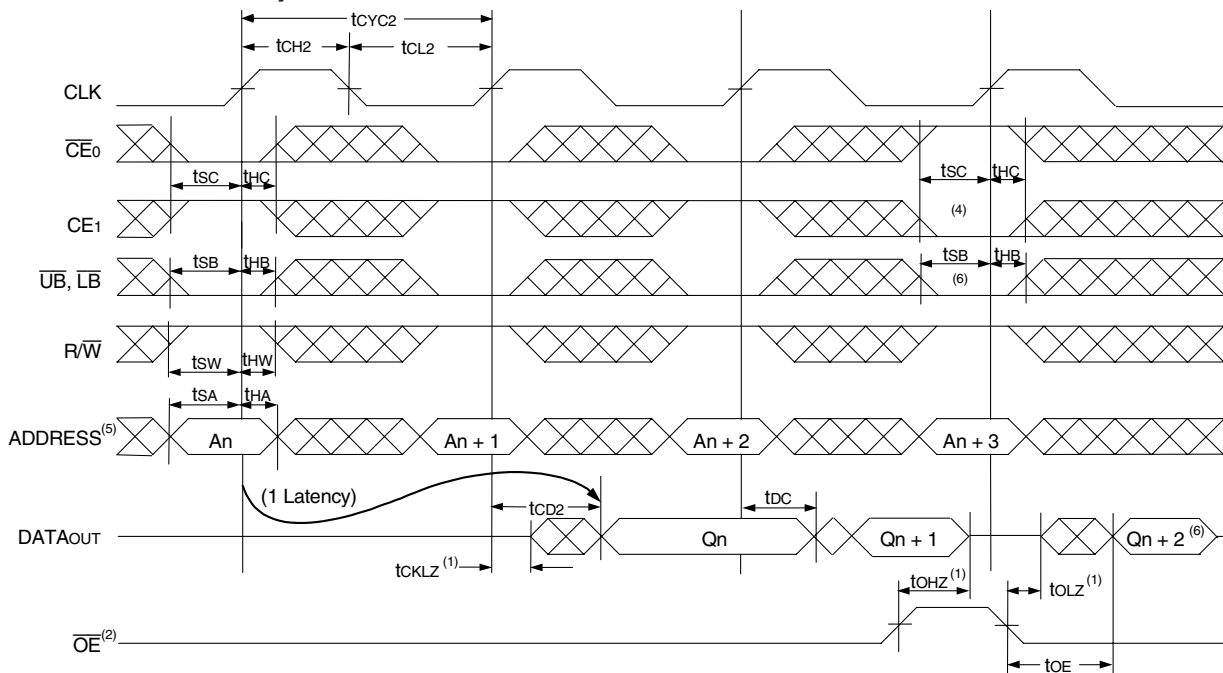
- Transition is measured 0mV from Low or High-impedance voltage with the Output Test Load (Figure 2). This parameter is guaranteed by device characterization, but is not production tested.
- The Pipelined output parameters (t<sub>CYC2</sub>, t<sub>CD2</sub>) to either the Left or Right ports when  $\bar{F}\bar{T}/\text{PIPE} = V_{IH}$ . Flow-Through parameters (t<sub>CYC1</sub>, t<sub>CD1</sub>) apply when  $\bar{F}\bar{T}/\text{PIPE} = V_{IL}$  for that port.
- All input signals are synchronous with respect to the clock except for the asynchronous Output Enable ( $\bar{O}\bar{E}$ ),  $\bar{F}\bar{T}/\text{PIPE}_R$  and  $\bar{F}\bar{T}/\text{PIPE}_L$ .

### Timing Waveform of Read Cycle for Flow-Through Output ( $\overline{FT}/PIPE"x" = V_{IL}$ )<sup>(3,7)</sup>



4845 drw 07

### Timing Waveform of Read Cycle for Pipelined Operation ( $\overline{FT}/PIPE"x" = V_{IH}$ )<sup>(3,7)</sup>



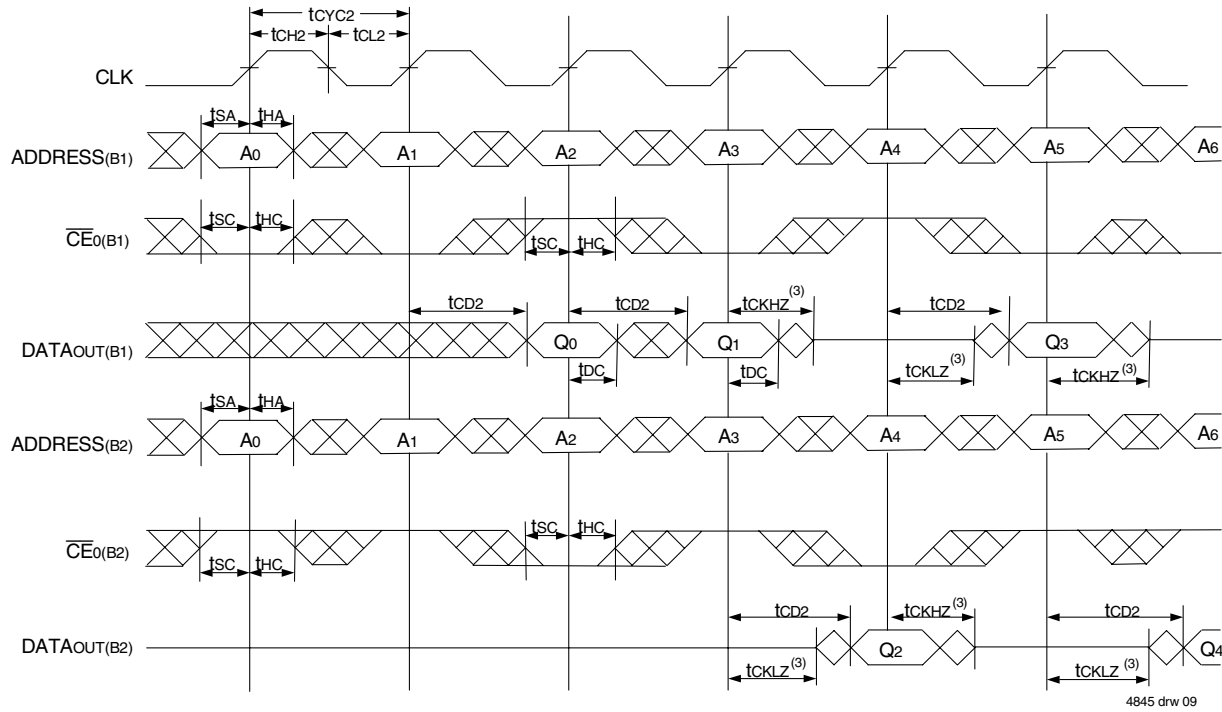
4845 drw 08

**NOTES:**

1. Transition is measured 0mV from Low or High-impedance voltage with the Output Test Load (Figure 2).
2.  $\overline{OE}$  is asynchronously controlled; all other inputs are synchronous to the rising clock edge.
3.  $ADS = V_{IL}$  and  $CNTRST = V_{IH}$ .
4. The output is disabled (High-Impedance state) by  $\overline{CE0} = V_{IH}$ ,  $CE1 = V_{IL}$ ,  $\overline{UB} = V_{IH}$ , or  $\overline{LB} = V_{IH}$  following the next rising edge of the clock. Refer to Truth Table 1.
5. Addresses do not have to be accessed sequentially since  $ADS = V_{IL}$  constantly loads the address on the rising edge of the CLK; numbers are for reference use only.
6. If  $\overline{UB}$  or  $\overline{LB}$  was HIGH, then the Upper Byte and/or Lower Byte of DATAOUT for  $Qn + 2$  would be disabled (High-Impedance state).
7. "X" here denotes Left or Right port. The diagram is with respect to that port.

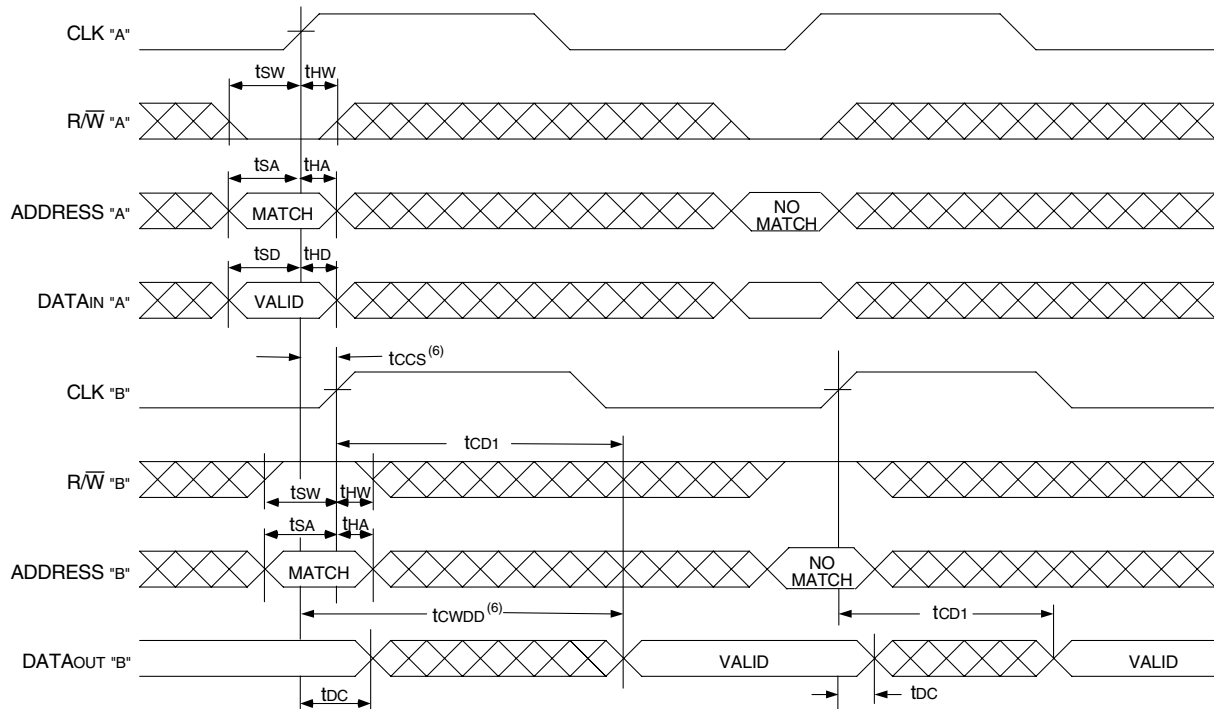


### Timing Waveform of a Bank Select Pipelined Read<sup>(1,2)</sup>



4845 drw 09

### Timing Waveform of Write with Port-to-Port Flow-Through Read<sup>(4,5,7)</sup>

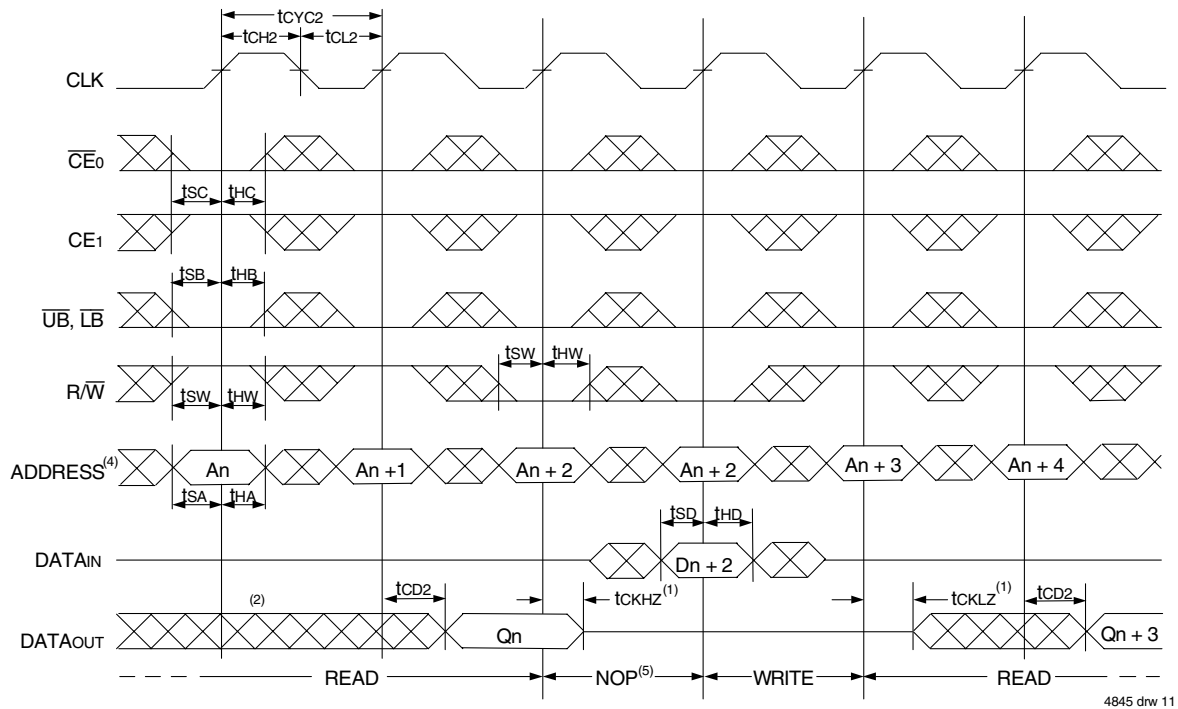


4845 drw 10

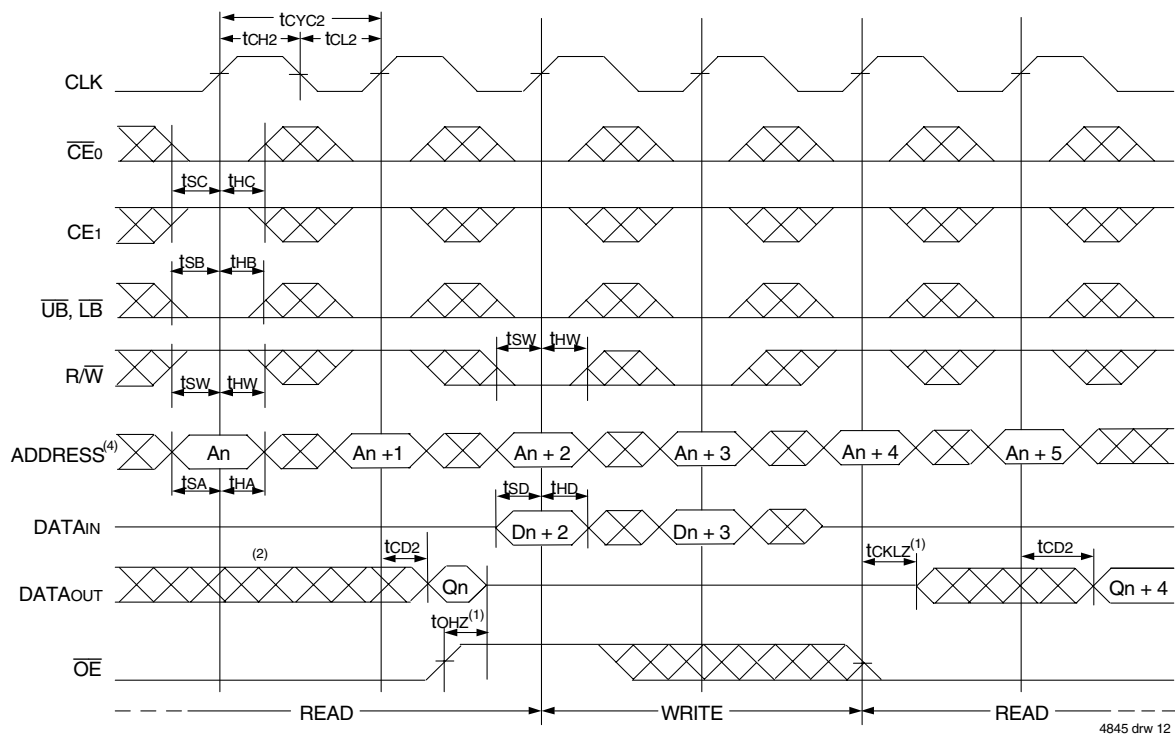
**NOTES:**

1. B1 Represents Bank #1; B2 Represents Bank #2. Each Bank consists of one IDT709379/69 for this waveform, and are setup for depth expansion in this example. ADDRESS(B1) = ADDRESS(B2) in this situation.
2.  $\overline{UB}$ ,  $\overline{LB}$ ,  $\overline{OE}$ , and  $\overline{ADS} = V_{IL}$ ;  $CE_{1(B1)}$ ,  $CE_{1(B2)}$ ,  $R/\overline{W}$  and  $CNTRST = V_{IH}$ .
3. Transition is measured 0mV from Low or High-impedance voltage with the Output Test Load (Figure 2).
4.  $\overline{CE}_0$ ,  $\overline{UB}$ ,  $\overline{LB}$ , and  $\overline{ADS} = V_{IL}$ ;  $CE_1$  and  $CNTRST = V_{IH}$ .
5.  $\overline{OE} = V_{IL}$  for the Right Port, which is being read from.  $\overline{OE} = V_{IH}$  for the Left Port, which is being written to.
6. If  $t_{CCS} \leq$  maximum specified, then data from right port READ is not valid until the maximum specified for  $t_{CWDD}$ . If  $t_{CCS} >$  maximum specified, then data from right port READ is not valid until  $t_{CCS} + t_{CD1}$ .  $t_{CWDD}$  does not apply in this case.
7. All timing is the same for both Left and Right ports. Port "A" may be either Left or Right port. Port "B" is the opposite from Port "A".

### Timing Waveform of Pipelined Read-to-Write-to-Read ( $\overline{OE} = V_{IL}$ )<sup>(3)</sup>



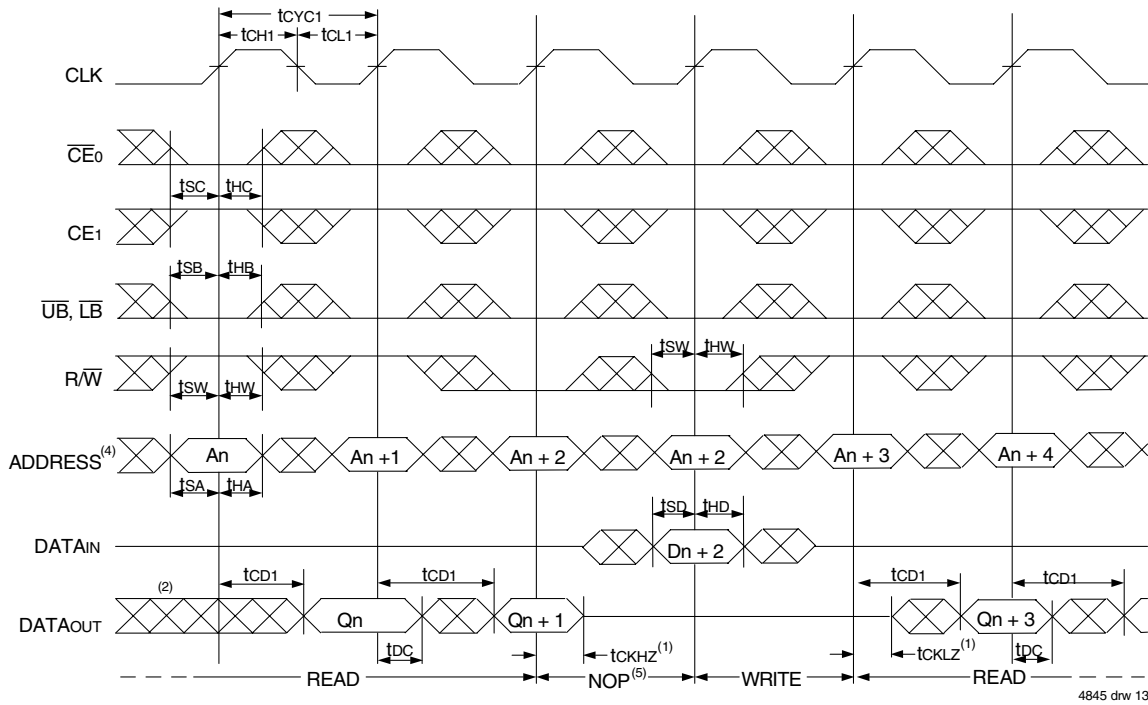
### Timing Waveform of Pipelined Read-to-Write-to-Read ( $\overline{OE}$ Controlled)<sup>(3)</sup>



**NOTES:**

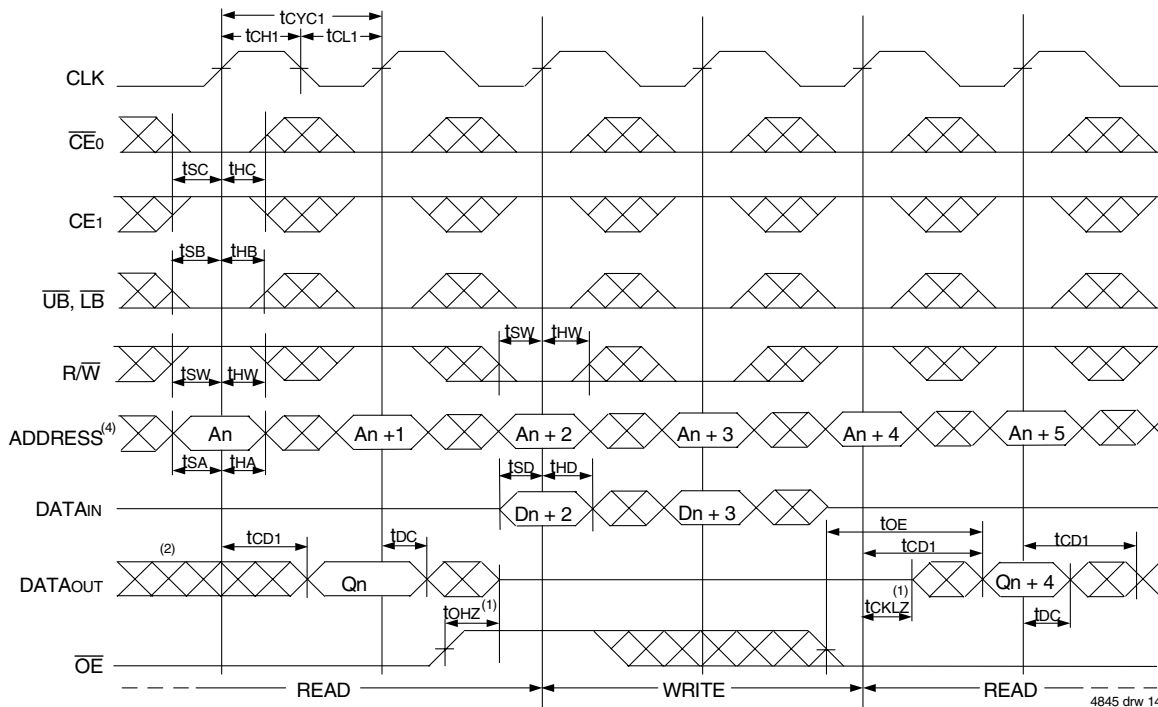
1. Transition is measured 0mV from Low or High-impedance voltage with the Output Test Load (Figure 2).
2. Output state (High, Low, or High-impedance) is determined by the previous cycle control signals.
3.  $\overline{CE}_0$ ,  $\overline{UB}$ ,  $\overline{LB}$ , and  $\overline{ADS} = V_{IL}$ ;  $CE_1$  and  $\overline{CNTRST} = V_{IH}$ . "NOP" is "No Operation".
4. Addresses do not have to be accessed sequentially since  $\overline{ADS} = V_{IL}$  constantly loads the address on the rising edge of the CLK; numbers are for reference use only.
5. "NOP" is "No Operation." Data in memory at the selected address may be corrupted and should be re-written to guarantee data integrity.

### Timing Waveform of Flow-Through Read-to-Write-to-Read ( $\overline{OE} = V_{IL}$ )<sup>(3)</sup>



4845 drw 13

### Timing Waveform of Flow-Through Read-to-Write-to-Read ( $\overline{OE}$ Controlled)<sup>(3)</sup>

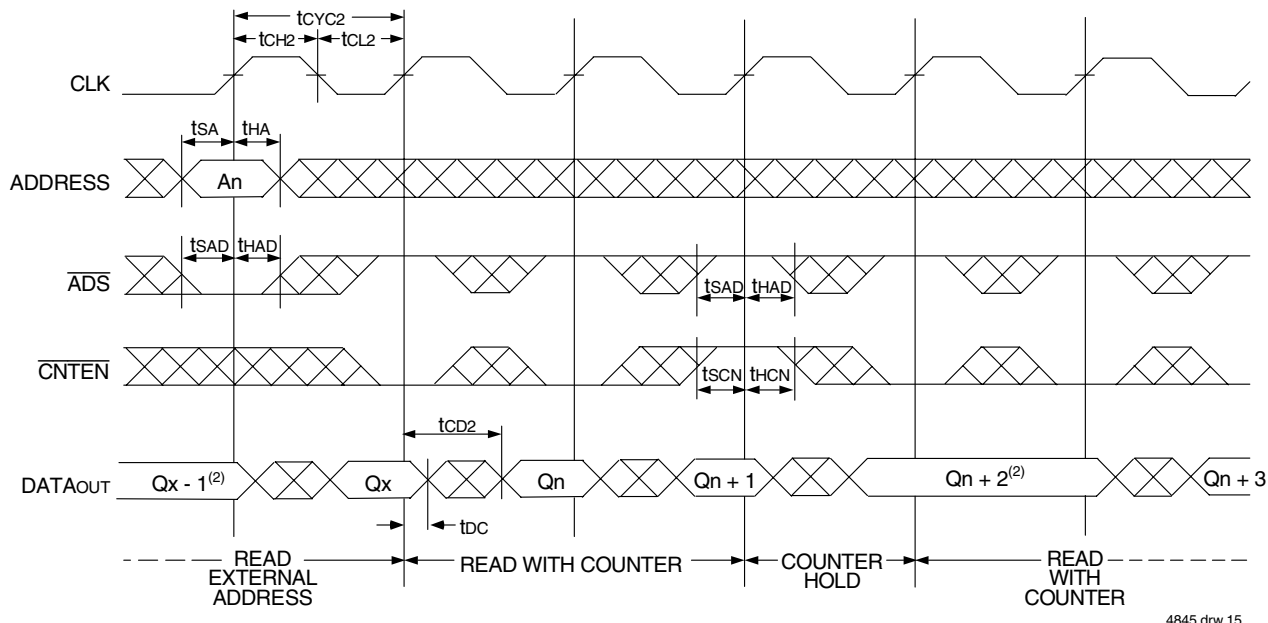


4845 drw 14

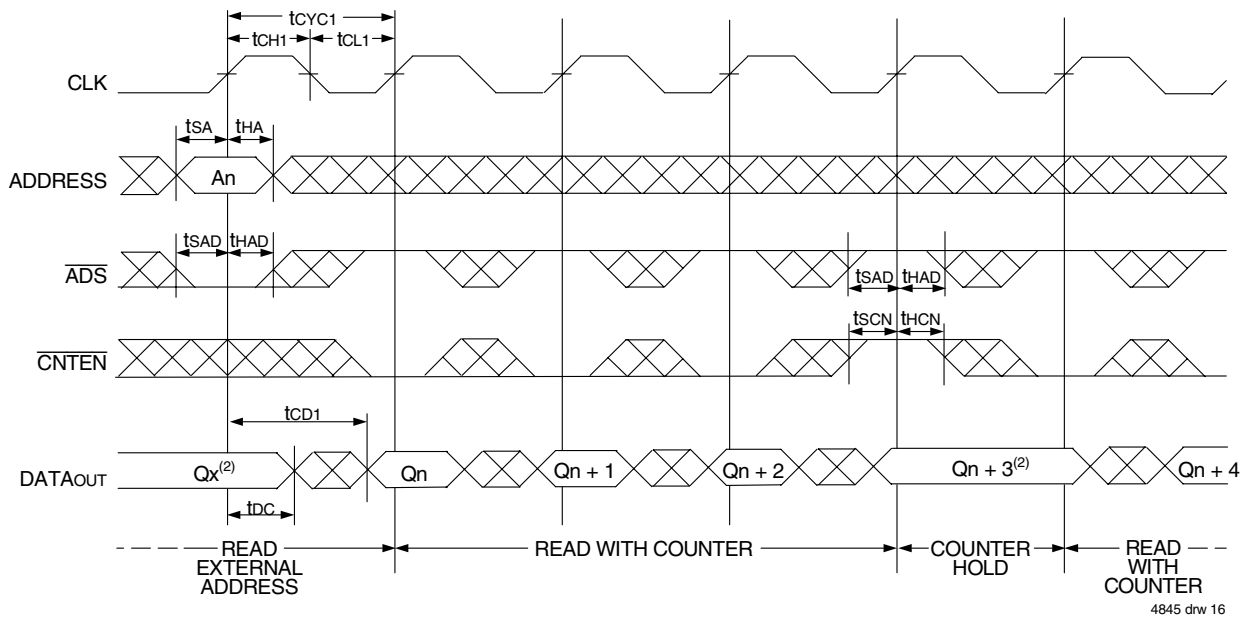
**NOTES:**

1. Transition is measured 0mV from Low or High-impedance voltage with the Output Test Load (Figure 2).
2. Output state (High, Low, or High-impedance) is determined by the previous cycle control signals.
3.  $\overline{CE}_0$ ,  $\overline{UB}$ ,  $\overline{LB}$ , and  $\overline{ADS} = V_{IL}$ ;  $CE_1$  and  $\overline{CNTRST} = V_{IH}$ . "NOP" is "No Operation".
4. Addresses do not have to be accessed sequentially since  $\overline{ADS} = V_{IL}$  constantly loads the address on the rising edge of the CLK; numbers are for reference use only.
5. "NOP" is "No Operation." Data in memory at the selected address may be corrupted and should be re-written to guarantee data integrity.

### Timing Waveform of Pipelined Read with Address Counter Advance<sup>(1)</sup>



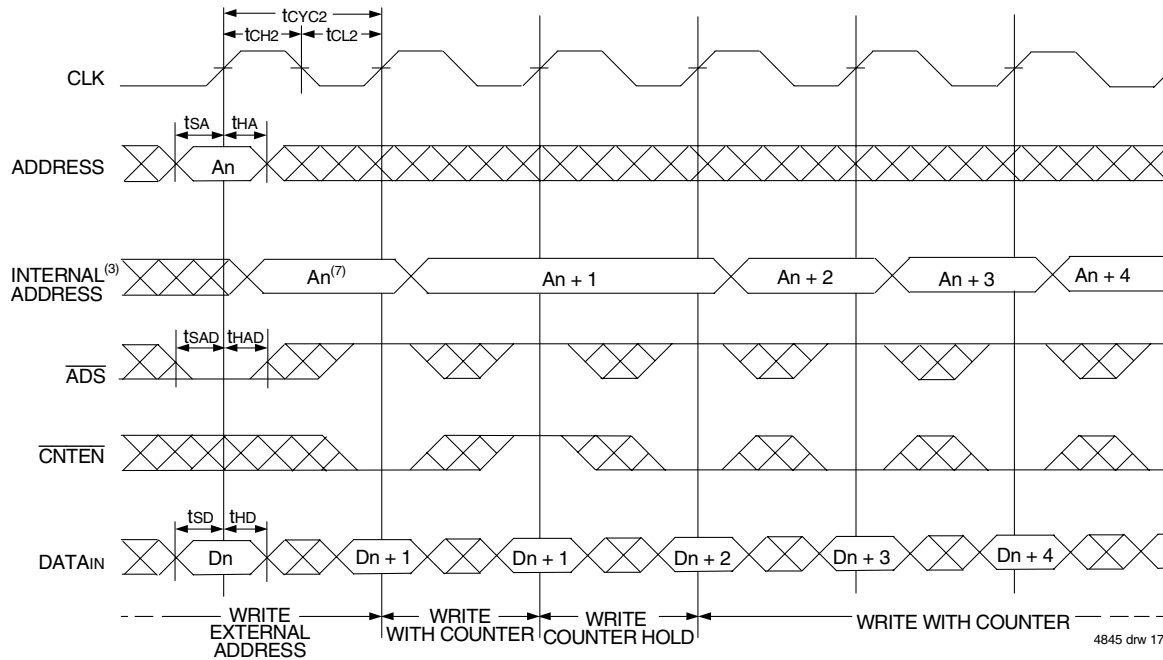
### Timing Waveform of Flow-Through Read with Address Counter Advance<sup>(1)</sup>



**NOTES:**

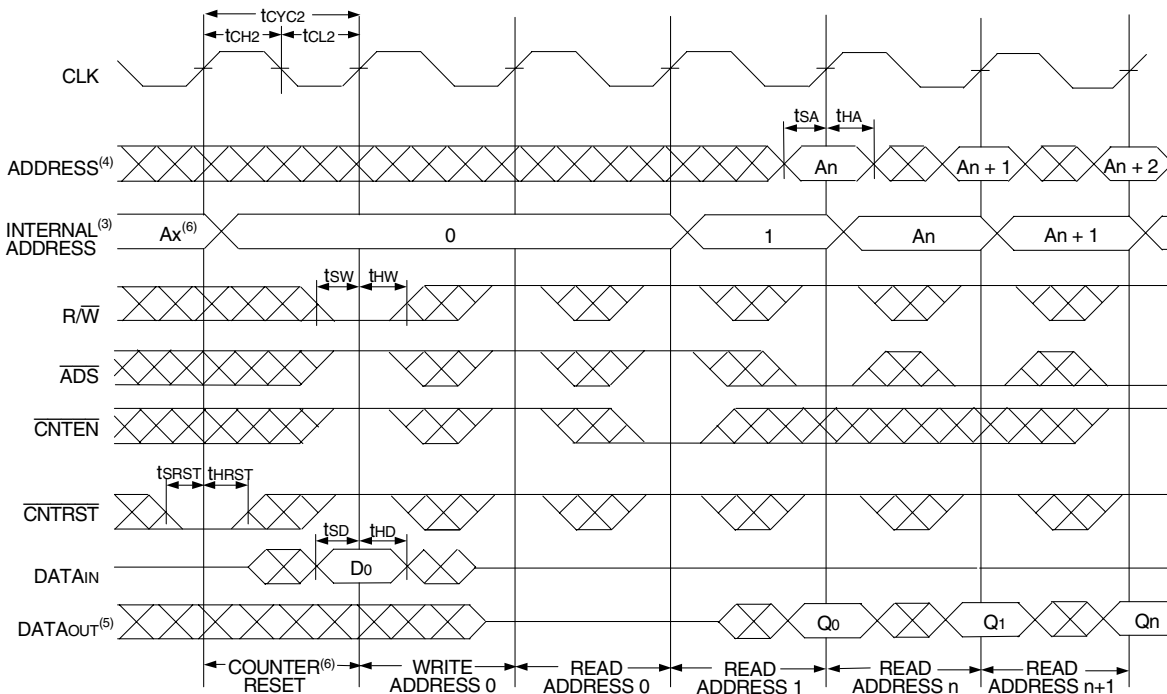
1.  $\overline{CE}_0$ ,  $\overline{OE}$ ,  $\overline{UB}$ , and  $\overline{LB} = V_{IL}$ ;  $CE_1$ ,  $R\overline{W}$ , and  $\overline{CNTRST} = V_{IH}$ .
2. If there is no address change via  $\overline{ADS} = V_{IL}$  (loading a new address) or  $\overline{CNTEN} = V_{IL}$  (advancing the address), i.e.  $\overline{ADS} = V_{IH}$  and  $\overline{CNTEN} = V_{IH}$ , then the data output remains constant for subsequent clocks.

## Timing Waveform of Write with Address Counter Advance (Flow-Through or Pipelined Outputs)<sup>(1)</sup>



4845 drw 17

## Timing Waveform of Counter Reset (Pipelined Outputs)<sup>(2)</sup>



4845 drw 18

**NOTES:**

1.  $\overline{CE}_0, \overline{UB}, \overline{LB}$ , and  $R/\overline{W} = V_{IL}$ ;  $CE_1$  and  $\overline{CNTRST} = V_{IH}$ .
2.  $\overline{CE}_0, \overline{UB}, \overline{LB} = V_{IL}$ ;  $CE_1 = V_{IH}$ .
3. The "Internal Address" is equal to the "External Address" when  $\overline{ADS} = V_{IL}$  and equals the counter output when  $\overline{ADS} = V_{IH}$ .
4. Addresses do not have to be accessed sequentially since  $\overline{ADS} = V_{IL}$  constantly loads the address on the rising edge of the CLK; numbers are for reference use only.
5. Output state (High, Low, or High-impedance) is determined by the previous cycle control signals.
6. No dead cycle exists during counter reset. A READ or WRITE cycle may be coincidental with the counter reset cycle.
7.  $\overline{CNTEN} = V_{IL}$  advances Internal Address from 'An' to 'An + 1'. The transition shown indicates the time required for the counter to advance. The 'An + 1' Address is written to during this cycle.

## A Functional Description

The IDT709379/69 provides a true synchronous Dual-Port Static RAM interface. Registered inputs provide minimal set-up and hold times on address, data, and all critical control inputs. All internal registers are clocked on the rising edge of the clock signal, however, the self-timed internal write pulse is independent of the LOW to HIGH transition of the clock signal.

An asynchronous output enable is provided to ease asynchronous bus interfacing. Counter enable inputs are also provided to stall the operation of the address counters for fast interleaved memory applications.

$\overline{CE}_0 = V_{IH}$  or  $CE_1 = V_{IL}$  for one clock cycle will power down the internal circuitry to reduce static power consumption. Multiple chip enables allow easier banking of multiple IDT709379/69's for depth expansion configurations. When the Pipelined output mode is enabled, two cycles are required with  $\overline{CE}_0 = V_{IL}$  and  $CE_1 = V_{IH}$  to reactivate the outputs.

## Depth and Width Expansion

The IDT709379/69 features dual chip enables (refer to Truth Table I) in order to facilitate rapid and simple depth expansion with no requirements for external logic. Figure 4 illustrates how to control the various chip enables in order to expand two devices in depth.

The IDT709379/69 can also be used in applications requiring expanded width, as indicated in Figure 4. Since the banks are allocated at the discretion of the user, the external controller can be set up to drive the input signals for the various devices as required to allow for 36-bit or wider applications.

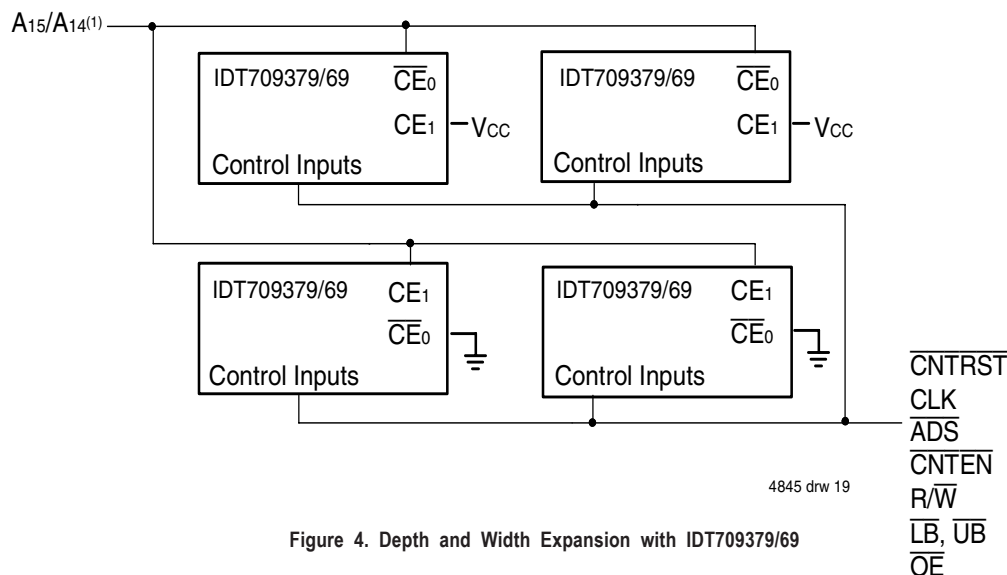
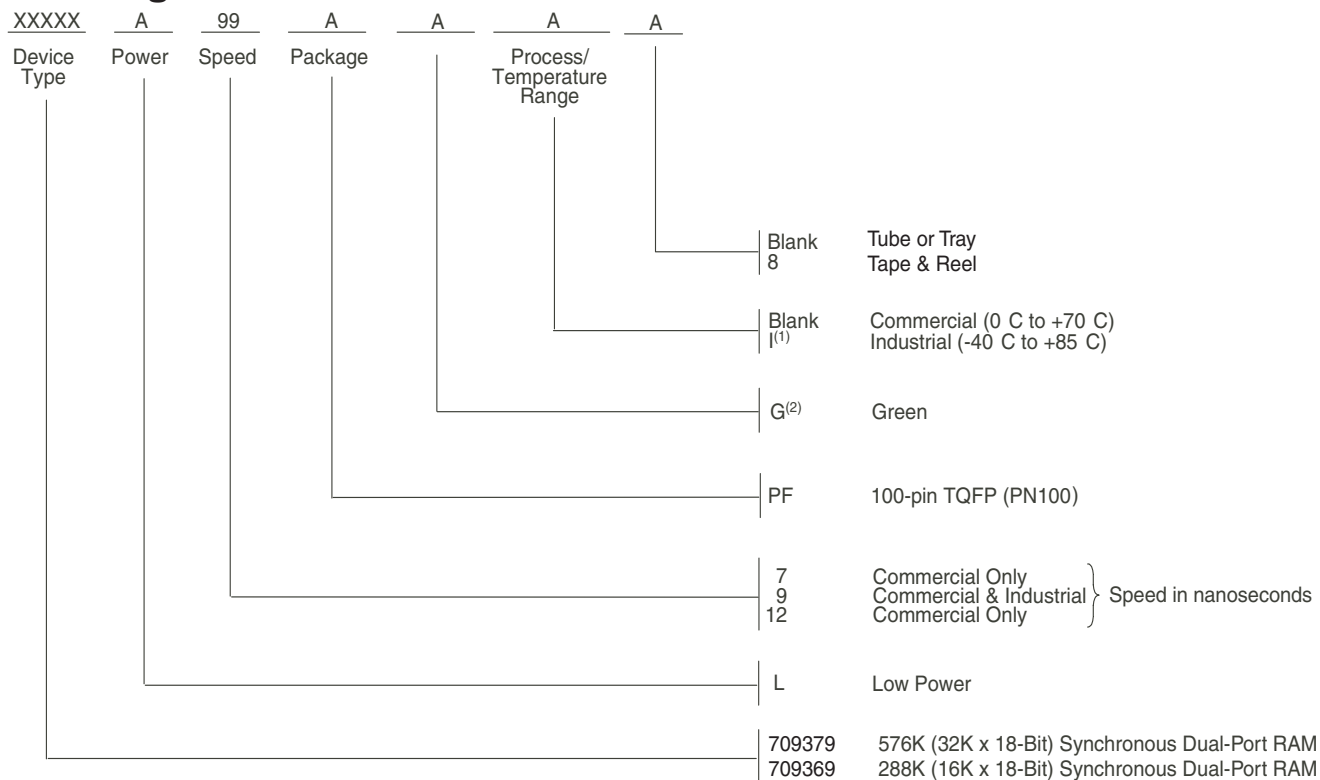


Figure 4. Depth and Width Expansion with IDT709379/69

**NOTE:**

1. A14 is for IDT709369.

## Ordering Information



4845 drw 20

**NOTE:**

1. Industrial temperature range is available. For other speeds, packages and powers contact your sales office
2. Green parts available. For specific speeds, packages and powers contact your sales office.

## Datasheet Document History

9/30/99:		Initial Public Release
11/10/99:		Replaced IDT log
12/22/99:	Page 1	Added nmissing diamond
1/12/01:	Page 4	Changed information in Truth Table II
		Increased storage temperature parameter
		Clarified TA parameter
	Page 5	DC Electrical parameters—changed wording from "open" to "disabled"
		Changed $\pm 200\text{mV}$ to $0\text{mV}$ in notes
		Removed Preliminary status
04/26/04:		Consolidated multiple devices into one datasheet
		Removed I-temp footnote
	Page 2	Added date revision to pin configuration
	Page 4	Added Junction Temperature to Absolute Maximum Ratings Table
		Added Ambient Temperature footnote
	Page 5	Added I-temp numbers for 9ns speed to the DC Electrical Characteristics Table
		Added 6ns speed DC timing numbers to the DC Electrical Characteristics Table
	Page 7	Added I-temp for 9ns speed to AC Electrical Characteristics Table
		Added 6ns speed AC timing numbers to the AC Electrical Characteristics Table
	Page 15	Added 6ns speed grade and 9ns I-temp to ordering information
		Added IDT Clock Solution Table
	Page 1 & 16	Replaced old $\text{TM}$ logo with new $\text{TM}$ logo
01/29/09:	Page 15	Removed "IDT" from orderable part number
07/26/10:	Page 1	Added green parts availability to features
	Page 15	Added green indicator to ordering information
	Page 7	In order to correct the header notes of the AC Elect Chars Table and align them with the Industrial temp range values located in the table, the commercial TA header note has been removed
	Pages 8-11	In order to correct the footnotes of timing diagrams, $\overline{\text{CNTEN}}$ has been removed to reconcile the footnotes with the $\overline{\text{CNTEN}}$ logic definition found in Truth Table II - Address Counter Control
07/16/15:	Page 1	Updated speed offerings by removing the 6.5ns commercial grade in Features
	Page 2	Removed IDT in reference to fabrication
	Page 2 & 15	The package code PN100-1 changed to PN100 to match standard package codes
	Page 5	Removed X6 speed grade from the DC Elec Chars table
	Page 6	Corrected typo in the Typical Output Derating drawing
	Page 7	Removed X6 speed grade from the AC Elec Chars table
	Page 16	Added Tape and Reel indicator to, removed X6 speed grade and updated the commercial offerings in Ordering Information
	Page 15	Removed the IDT Clock Solution table


**CORPORATE HEADQUARTERS**

6024 Silver Creek Valley Road  
San Jose, CA 95138

**for SALES:**

800-345-7015 or 408-284-8200  
fax: 408-284-2775  
www.idt.com

**for Tech Support:**

408-284-2794  
DualPortHelp@idt.com